

**Parts
Catalog
MDKBP
MDKBR
MDKBS**

MODEL IDENTIFICATION

To avoid errors or delay in filling your parts order, always give the MODEL, SPEC NO. and SERIAL NO. from the Onan nameplate.

For handy reference, insert your nameplate information in the spaces below.

MODEL AND SPEC NO.

SERIAL NO.

DIGITAL CONTROL SOFTWARE VERSION
AND DATE (IF APPLICABLE)

SAFETY PRECAUTIONS

The following symbols are used in Onan manuals to alert users to the potentially dangerous conditions relating to maintenance of equipment and replacement of parts. Please read and observe.



This symbol warns of immediate hazards which will result in severe personal injury or death.



This symbol refers to a hazard or unsafe practice which can result in severe personal injury or death.



This symbol refers to a hazard or unsafe practice which can result in severe personal injury or product or property damage.

PRODUCT SAFETY PRECAUTIONS



Service and repair of Onan equipment must be performed by trained, experienced personnel only. Improper service or repair may result in property damage, severe personal injury or death. Do not use this catalog as a guide to servicing your equipment. Read and follow the IMPORTANT SAFETY INSTRUCTIONS in the Service Manual appropriate for the equipment you are working on.



Contact with USED ENGINE OILS has been identified by a United States federal agency and some USA state agencies as causing CANCER or REPRODUCTIVE TOXICITY. When checking or changing engine oils take all necessary precautions not to ingest, breathe the fumes or contact the used oil.



Contact with ASBESTOS has been identified by a United States federal agency and some USA state agencies as causing CANCER or REPRODUCTIVE TOXICITY. When handling engine gaskets take all necessary precautions not to ingest, breathe or contact the dust from the gaskets! Use adequate ventilation and wear protective gloves, masks and clothing!



Contact with BENZINE and LEAD, found in gasoline, fuel additives and solvents has been identified by a United States federal agency and some USA state agencies as causing CANCER or REPRODUCTIVE TOXICITY. When checking, draining or adding gasoline and fuel additives or using solvents take all necessary precautions not to ingest, breathe the fumes or contact the liquids. Use adequate ventilation and wear protective gloves, masks and protective clothing!

Introduction

This catalog applies to the standard marine generator sets listed below. Parts are arranged in groups of related items and each illustrated part is identified by a reference number corresponding to the same reference number in the parts list. Parts illustrations are typical. Unless otherwise mentioned in the description or page heading, parts are interchangeable between models. Throughout this catalog left and right sides are determined by facing the engine end (front) of the set.

<u>MODEL</u>	<u>HERTZ</u>
MDKBP/*	50/60
MDKBR/*	50/60
MDKBS/*	50/60

* – The diagonal line (/) in the model and specification number separates generator set characteristics from the specification number and letter. The specification number denotes customer requested options or deviations from the standard model. The specification letter advances (A to B, B to C, etc.) with major manufacturing changes.

WIRING DIAGRAM

630–2694 DC

Index

Actuator, Governor, **44**
Adapter, Dry Exhaust, **66**
Adapter, Engine, **14**
Adapter, Fuel Return Pipe, **46**
Adapter, Hose (MDKBP, MDKBR), **50**
Adapter, Keel Cooling, **55**
Adapter, Oil Drain (MDKBP, MDKBR), **60**
Adapter, Oil Drain (MDKBS), **61**
Adapter, Pipe, **45**
Alternator (Isolated Ground), **41**
Alternator (MDKBP, MDKBR, Neg Gnd), **39**
Alternator (MDKBP, MDKBR, Negative Ground), **39**
Alternator (MDKBS), **40**
Arm Assy, Rocker (MDKBP, MDKBR), **30**
Arm Assy, Rocker (MDKBS), **31**
Armature, Starter (12V), **15**
Armature, Starter (24V), **16**
Assy Control (eSDD), **88**
Assy Panel, Blank, **88**
Assy Panel, Engine, **88**
Assy, Glow Plug, **32**
Assy, PCB, **87**

Baffle, Air, **83**
Baffle, Generator, **75**
Ball, Crankshaft (MDKBP, MDKBR), **10**
Ball, Crankshaft (MDKBS), **11**
Ball, Valve Seat, **37**
Band, Pipe, **34**
Bar, Bus, **71**
Barb, Keel Cooling (Dry Exhaust), **57**
Barb, Keel Cooling (Wet Exhaust), **55**
Base, Filter, **45**
Base, Generator Mounting, **70**
Base, Mounting, **70**
Bearing, Alternator (Negative Ground, 12V), **42**
Bearing, Alternator (Negative Ground, 24V), **43**
Bearing, Ball, **19**
Bearing, Connecting Rod, **13**
Bearing, Coolant Water Pump, **38**
Bearing, Crankshaft (MDKBP, MDKBR), **10**
Bearing, Crankshaft (MDKBS), **11**
Bearing, Crankshaft Thrust (MDKBS), **11**
Bearing, Generator, **83**
Bearing, Main (MDKBS), **11**
Bearing, Starter (12V), **15**
Bearing, Starter (24V), **16**
Belt, Alternator (Isolated Ground), **41**
Block, Cylinder (MDKBP, MDKBR), **8**
Block, Cylinder (MDKBS), **9**
Box, Control , **86**
Bracket, Alternator (Isolated Ground), **41**
Bracket, Alternator (MDKBP, MDKBR, Neg Gnd), **39**
Bracket, Alternator Adjusting (MDKBS), **40**
Bracket, Baffle, **75**
Bracket, Belt Guard, **72**
Bracket, Fuel Pump, **45**
Bracket, Heat Exchanger, **53**
Bracket, Isolated Ground, **69**
Bracket, Lifting (MDKBP, MDKBR), **8**
Bracket, Lifting (MDKBS), **9**
Bracket, Mounting Pad, **62**
Bracket, Oil Drain (MDKBP, MDKBR), **60**
Bracket, PTO, **62**
Bracket, PTO (Right), **62**
Bracket, Remote Separator Mounting, **47**
Bracket, Rocker Arm (MDKBP, MDKBR), **30**
Bracket, Rocker Arm (MDKBS), **31**
Bracket, Starter (12V), **15**
Bracket, Starter (24V), **16**
Break Siphon (MDKBP, MDKBR), **50**
Breaker, Circuit, **87**
Breaker, Circuit (15 Amp), **89**
Breaker, Circuit (50 Amp), **89**
Breather (MDKBP, MDKBR), **35**
Breather (MDKBS), **36**
Brush, Alternator (Negative Ground, 12V), **42**
Brush, Alternator (Negative Ground, 24V), **43**
Bulkhead, Exhaust Connector, **65**
Bushing, Connecting Rod, **13**
Bushing, Idle Gear, **12**
Bushing, Oil Drain Reducer (MDKBS), **61**

Cam, Water Pump, **56**
Camshaft, **12**
Camshaft, Fuel, **19**
Cap, Adjusting Bolt Assy (MDKBS), **23**
Cap, Coolant Recovery Tank, **59**
Cap, Coolant Tank, **58**
Cap, Cylinder Block Sealing (MDKBP, MDKBR), **8**
Cap, Cylinder Block Sealing (MDKBS), **9**
Cap, Cylinder Head Sealing (MDKBP, MDKBR), **28**
Cap, Cylinder Head Sealing (MDKBS), **29**
Cap, Oil Drain Line (MDKBP, MDKBR), **60**
Cap, Stop Lever Adjusting Bolt (MDKBP, MDKBR), **22**
Cap, Valve (MDKBP, MDKBR), **30**
Cap, Valve (MDKBS), **31**
Clamp, Fuel Pump Hose , **45**
Clamp, Fuel Return Hose, **46**
Clamp, Injection Pipe (MDKBP, MDKBR), **32**
Clamp, Nozzle Pipe (MDKBS), **33**
Cock, Cylinder Block Drain (MDKBP, MDKBR), **8**
Cock, Cylinder Block Drain (MDKBS), **9**
Collar, Alternator (MDKBS, Negative Ground), **40**
Collar, Alternator (Negative Ground, 12V), **42**
Collar, Alternator (Negative Ground, 24V), **43**
Collar, Crankshaft (MDKBP, MDKBR), **10**
Collar, Crankshaft (MDKBS), **11**
Collar, Idle Gear, **12**
Collet, Valve Spring (MDKBP, MDKBR), **30**
Collet, Valve Spring (MDKBS), **31**
Components, Alternator (Negative Ground, 12V), **42**
Components, Alternator (Negative Ground, 24V), **43**
Components, Injection Pump (MDKBP, MDKBR), **26**
Components, Injection Pump (MDKBS), **27**
Components, Starter (12V), **15**

Index

Components, Starter (24V), **16**
Components, Water Pump, **56**
Components, Water Separator, **48**
Connector, Fuel Pump Male, **45**
Connector, Fuel Return Male, **46**
Connector, Heat Exchanger Bulkhead, **53**
Connector, Hose, **46**
Connector, Hose (MDKBS), **51**
Connector, Keel Cooling Bulkhead, **55**
Connector, Male, **46**
Control Harness, **92**
Control Panel Components (NIM), **88**
Control, Box, **87**
Cooling, Keel (Dry Exhaust), **57**
Cooling, Keel (Wet Exhaust), **55**
Cord, Glow Plug (MDKBP, MDKBR), **32**
Cord, Glow Plug (MDKBS), **33**
Coupling, Anchor, **46**
Coupling, Dry Exhaust Reducer, **66**
Coupling, PTO, **62**
Cover (MDKBS), **9**
Cover Assy, Starter (12V), **15**
Cover Assy, Starter (24V), **16**
Cover, Access, **76**
Cover, Alternator Bearing (Negative Ground, 12V), **42**
Cover, Alternator Bearing (Negative Ground, 24V), **43**
Cover, Alternator End (Negative Ground, 12V), **42**
Cover, Alternator End (Negative Ground, 24V), **43**
Cover, Bearing Housing (MDKBP, MDKBR), **17**
Cover, Bearing Housing (MDKBS), **18**
Cover, Control Box, **87**
Cover, Cylinder Head (MDKBP, MDKBR), **35**
Cover, Cylinder Head (MDKBS), **36**
Cover, Cylinder Head Oil Fill (MDKBS), **36**
Cover, Fuel Camshaft (MDKBP, MDKBR), **8**
Cover, Heat Exchanger, **53**
Cover, Hole (MDKBP, MDKBR), **8**
Cover, Hole (MDKBS), **23**
Cover, Injection Pump (MDKBP, MDKBR), **22**
Cover, Injection Pump (MDKBS), **23**
Cover, Mechanical Fuel Pump (MDKBS), **9**
Cover, Thermostat, **34**
Cover, Water Pump, **56**
Crankshaft, **10**
Crankshaft (MDKBP, MDKBR), **10**
Crankshaft (MDKBS), **11**
Cylinder Block (MDKBS), **9**
Disc, Generator Drive, **83**
Door, Sound Shield, **77**
Drain Assy, Water Separator, **48**
Drive Assy, Starter (12V), **15**
Drive Assy, Starter (24V), **16**

Elbow, 45 Degree Street, **46**
Elbow, 45 Degree Street Fuel, **45**
Elbow, Fuel Return, **46**
Elbow, Inverted Male, **46**
Elbow, Keel Cooling (Dry Exhaust), **57**
Elbow, Keel Cooling (Wet Exhaust), **55**
Elbow, Oil Drain (MDKBP, MDKBR), **60**
Elbow, Oil Drain Pipe (MDKBS), **61**
Elbow, Pipe, **45**
Elbow, Street Pipe, **45**
Element, Breather (MDKBP, MDKBR), **35**
Element, Breather (MDKBS), **36**
Element, Fuel Filter, **45**
Element, Water Separator, **48**
Endbell, **83**
Engine, Replacement (MDKBP, MDKBR), **8**
Engine, Replacement (MDKBS), **9**
Exchanger, Heat, **53**
Exhaust, Dry, **66**
Exhaust, Wet, **65**

Fan, Generator, **83**
Filter, Fuel, **45, 95**
Filter, Oil, **37, 95**
Fitting, Oil Drain Hose Barb (MDKBS), **61**
Flange, Coolant Water Pump, **38**
Flange, Dry Exhaust, **66**
Flange, Oil Fill, **37**
Flange, Water Outlet, **34**
Flange, Water Return, **37**
Flywheel Assy, **14**
Frame, Alternator Drive End (Negative Ground, 24V), **43**
Frame, Alternator End (Negative Ground, 12V), **42**
Frame, Alternator End (Negative Ground, 24V), **43**

Gasket, Adjusting Bolt (MDKBS), **23**
Gasket, Bearing Housing (MDKBP, MDKBR), **17**
Gasket, Bearing Housing (MDKBS), **18**
Gasket, Bearing Housing Cover (MDKBP, MDKBR), **17**
Gasket, Bearing Housing Cover (MDKBS), **18**
Gasket, Breather (MDKBP, MDKBR), **35**
Gasket, Breather (MDKBS), **36**
Gasket, Coolant Water Pump, **38**
Gasket, Cover (MDKBS), **9**
Gasket, Cylinder Block Plug (MDKBP, MDKBR), **8**
Gasket, Cylinder Block Plug (MDKBS), **9**
Gasket, Cylinder Head (MDKBP, MDKBR), **28**
Gasket, Cylinder Head (MDKBS), **29**
Gasket, Cylinder Head Cover (MDKBP, MDKBR), **35**
Gasket, Cylinder Head Cover (MDKBS), **36**
Gasket, Delivery Valve (MDKBP, MDKBR), **26**
Gasket, Delivery Valve (MDKBS), **27**
Gasket, Dry Exhaust, **66**
Gasket, Dry Exhaust Adapter, **66**
Gasket, Exhaust Manifold, **64**
Gasket, Fuel Camshaft Cover (MDKBP, MDKBR), **8**
Gasket, Fuel Nozzle (MDKBP, MDKBR), **32**
Gasket, Gearcase, **37**
Gasket, Heat Exchanger Cover, **53**
Gasket, Hole Cover (MDKBP, MDKBR), **8**
Gasket, Injection Pump (MDKBS), **25**
Gasket, Injection Pump Cover (MDKBP, MDKBR), **22**

Index

- Gasket, Injection Pump Cover (MDKBS), **23**
- Gasket, Injection Pump Eye Joint (MDKBP, MDKBR), **24**
- Gasket, Injection Pump Hollow Screw (MDKBP, MDKBR), **26**
- Gasket, Injection Pump Hollow Screw (MDKBS), **27**
- Gasket, Mechanical Fuel Pump Cover (MDKBS), **9**
- Gasket, Mixer, **65**
- Gasket, Nozzle (MDKBS), **33**
- Gasket, Oil Fill Flange, **37**
- Gasket, Oil Pan (MDKBP, MDKBR), **60**
- Gasket, Oil Pan (MDKBS), **61**
- Gasket, Oil Pan Plug (MDKBP, MDKBR), **60**
- Gasket, Oil Pump (MDKBP, MDKBR), **8**
- Gasket, Oil Pump (MDKBS), **9**
- Gasket, Raw Water Pump, **53**
- Gasket, Riser/Adapter, **64**
- Gasket, Speed Control Plate (MDKBS), **20**
- Gasket, Stop Lever Adjusting (MDKBP, MDKBR), **22**
- Gasket, Thermostat Cover, **34**
- Gasket, Water Outlet Flange, **34**
- Gasket, Water Pump (Wet Exhaust), **55**
- Gasket, Water Return Flange, **37**
- Gear Assy, Idle, **12**
- Gear, Camshaft, **12**
- Gear, Crankshaft (MDKBP, MDKBR), **10**
- Gear, Crankshaft (MDKBS), **11**
- Gear, Oil Drive (MDKBS), **11**
- Gear, Oil Pump Drive (MDKBP, MDKBR), **8**
- Gear, Oil Pump Drive (MDKBS), **9**
- Gear, Starter (12V), **15**
- Gear, Starter (24V), **16**
- Gearcase Assy, **37**
- Generator, **83**
- Governor, **21**
- Grommet, Generator, **83**
- Grommet, Generator Housing, **73**
- Grommet, Remote, **87**
- Grommet, Vacuum Relief Valve, **50**
- Ground, Isolated, **69**
- Guard Assy, Coupling, **81**
- Guard, Belt, **72**
- Guard, Belt and PTO Belt, **72**
- Guard, Belt W/O PTO, **72**
- Guide, Control Box Card, **87**
- Guide, Valve (MDKBP, MDKBR), **28**
- Guide, Valve (MDKBPD, MDKBR), **28**
- Guide, Valve (MDKBS), **29**

- Hanger, Coolant Recovery Tank, **59**
- Harness, Battery, **74**
- Harness, Control, **88**
- Harness, Control , **92**
- Harness, Ground, **69**
- Harness, Isolated Ground, **69**
- Harness, Junction, **94**
- Harness, Remote Control Panel, **90**
- Harness, Remote Extension, **94**
- Harness, Remote Panel w/ Hourmeter, **91**

- Harnesses, **93**
- Head Assy, Cylinder (MDKBS), **29**
- Head Assy, Water Separator Replacement, **48**
- Head, Cylinder (MDKBP, MDKBR), **28**
- Head, Cylinder (MDKBS), **29**
- Holder Assy, Alternator Brush (Negative Ground, 12V), **42**
- Holder Assy, Alternator Brush (Negative Ground, 24V), **43**
- Holder Assy, Nozzle (MDKBP, MDKBR), **32**
- Holder Assy, Nozzle (MDKBS), **33**
- Holder Assy, Starter Brush (12V), **15**
- Holder, Delivery Valve (MDKBP, MDKBR), **26**
- Holder, Delivery Valve (MDKBS), **27**
- Holder, Nozzle (MDKBP, MDKBR), **32**
- Holder, Nozzle (MDKBS), **33**
- Holder, Starter Brush (24V), **16**
- Hose, Coolant, **53**
- Hose, Coolant Tank Upper, **58**
- Hose, Engine Coolant, **53**
- Hose, Exhaust Manifold, **53**
- Hose, Fuel, **46**
- Hose, Intake, **63**
- Hose, Keel Cooling, **55**
- Hose, Keel Cooling (Dry Exhaust), **57**
- Hose, Keel Cooling (Wet Exhaust), **55**
- Hose, Lower Coolant Tank, **53**
- Hose, Mixer, **53**
- Hose, Raw Water Pump, **53**
- Hose, Wet Exhaust, **65**
- Hourmeter (Control Panel), **89**
- Hourmeter, Remote Control Panel, **91**
- Housing, Generator, **73**
- Housing, Main Bearing (MDKBP, MDKBR), **17**
- Housing, Main Bearing (MDKBS), **18**
- Hub, Drive, **83**

- Impeller, Coolant Water Pump, **38**
- Impeller, Water Pump, **56**
- Indicator, Oil Level (MDKBP, MDKBR), **60**
- Indicator, Oil Level (MDKBS), **61**
- Insulation, Access Panel Sound, **78**
- Insulation, Alternator Brush (Negative Ground, 12V), **42**
- Insulation, Alternator Brush (Negative Ground, 24V), **43**
- Insulation, Door, **77**
- Insulation, Duct (W/O PTO), **79**
- Insulation, Generator Housing, **74**
- Insulation, Panel (Side), **73**
- Insulation, Panel (Top), **73**
- Insulation, Roof, **76**
- Insulation, Roof End, **79**
- Isolation, Vibration, **73**
- Isolator, Mounting, **70**

- Joint, Cylinder Block Drain Cock (MDKBP, MDKBR), **8**
- Joint, Cylinder Block Drain Cock (MDKBS), **9**
- Joint, Injection Pump (MDKBS), **25**
- Joint, Injection Pump Eye (MDKBP, MDKBR), **24**
- Joint, Intake Manifold Pipe, **63**
- Joint, Oil Filter Pipe, **37**

Index

- Jumper, Temp Switch, **66**
- Key, Camshaft, **12**
- Key, Crankshaft (MDKBP, MDKBR), **10**
- Key, Crankshaft (MDKBS), **11**
- Key, Fan Drive Pulley (MDKBP, MDKBR), **39**
- Key, Oil Pump (MDKBP, MDKBR), **8**
- Key, Oil Pump (MDKBS), **9**
- Key, Water Pump, **56**
- Kit, Access Panel, **78**
- Kit, Belt Guard (ISO Ground), **72**
- Kit, Belt Guard (Neg Ground), **72**
- Kit, Belt Guard (PTO), **72**
- Kit, Coolant Recovery, **59**
- Kit, Coupling Guard, **81**
- Kit, Cruise, **95**
- Kit, Door, **77**
- Kit, Duct Panel, **79**
- Kit, Enclosure Panel, **79**
- Kit, Engine Roof Panel, **76**
- Kit, Exhaust, **57**
- Kit, Exhaust (Wet), **65**
- Kit, Exhaust Adapter, **66**
- Kit, Exhaust Flange, **66**
- Kit, Fuel Adapter (3/8" Hose), **46**
- Kit, Fuel Adapter (5/16" Hose), **46**
- Kit, Heat Exchanger End Cap/Pencil, **53**
- Kit, Heat Exchanger Zinc Pencil, **53**
- Kit, Isolated Ground, **69**
- Kit, Keel Cooling, **55**
- Kit, Keel Cooling (Dry Exhaust), **57**
- Kit, Keel Cooling (Wet Exhaust), **55**
- Kit, Minor Service, **53**
- Kit, Muffler, **68**
- Kit, Muffler/Water Separator, **68**
- Kit, Panel Enclosure, **81**
- Kit, Panel, Remote, **91**
- Kit, PTO, **62**
- Kit, PTO Belt, **62**
- Kit, Raw Water Pump Service, **56**
- Kit, Remote Fuel/Water Separator, **47**
- Kit, Remote Panel, **90**
- Kit, Remote Switch Harness, **90**
- Kit, Roof Panel, **79**
- Kit, Sender, **34**
- Kit, Siphon Break (MDKBP, MDKBR), **50**
- Kit, Siphon Break (MDKBS), **51**
- Kit, Sound Shield, **76**
- Kit, Water Separator, **68**
- Kit, Water Separator Metal Bowl Replacement, **48**
- Kits, **95**
- Label, Control, **89**
- Label, Indicator, **90**
- Labels, **95**
- Latch, Door (1/4 Turn), **77**
- Lever Assy, Engine Stop (MDKBS), **23**
- Lever Assy, Fork, **21**
- Lever Assy, Starter (12V), **15**
- Lever Assy, Starter (24V), **16**
- Lever Assy, Stop (MDKBS), **23**
- Lever, Engine Stop (MDKBP, MDKBR), **22**
- Lever, Engine Stop (MDKBP, MDKBR) , **22**
- Lever, Engine Stop (MDKBS), **23**
- Lever, Governor, **21**
- Line, Flex Oil (MDKBP, MDKBR), **60**
- Line, Fuel Return, **46**
- Line, Oil, **46**
- Lock Assy, Plate (MDKBP, MDKBR), **26**
- Lug, Solderless, **74**
- Manifold, Exhaust, **64**
- Manifold, Intake, **63**
- Manifold, Oil Pressure, **46**
- Mixer, **65**
- Mount Assy, Engine, **70**
- Mounting, Printed Circuit Board, **85**
- Muffler, **68**
- Muffler, Dry Exhaust, **67**
- Nipple, Keel Cooling (Dry Exhaust), **57**
- Nipple, Keel Cooling (Wet Exhaust), **55**
- Nozzle (MDKBS), **33**
- Nozzle, Fuel (MDKBP, MDKBR), **32**
- O'Ring Kit, Water Separator, **48**
- O'Ring, Crankshaft (MDKBP, MDKBR), **10**
- O'Ring, Crankshaft (MDKBS), **11**
- O'Ring, Cylinder Block, **8**
- O'Ring, Cylinder Block Pipe Pin (MDKBS), **9**
- O'Ring, Cylinder Head (MDKBP, MDKBR), **28**
- O'Ring, Cylinder Head (MDKBS), **29**
- O'Ring, Delivery Valve Holder (MDKBS), **27**
- O'Ring, Gearcase, **37**
- O'Ring, Governor Lever (MDKBS), **20**
- O'Ring, Oil Fill Cover (MDKBS), **36**
- O'Ring, Oil Fill Plug, **37**
- O'Ring, Oil Pickup Tube (MDKBS), **61**
- O'Ring, Pickup Tube (MDKBP, MDKBR), **60**
- O'Ring, Valve Holder (MDKBP, MDKBR), **26**
- O'Ring, Water Pump, **56**
- Pan, Oil (MDKBP, MDKBR), **60**
- Pan, Oil (MDKBS), **61**
- Panel, Access, **78**
- Panel, Control, **89**
- Panel, Control (Gnd), **89**
- Panel, Duct (W/O PTO), **79**
- Panel, Enclosure, **79**
- Panel, Enclosure (W/PTO), **81**
- Panel, Generator Housing, **73**
- Panel, Generator Housing Side, **74**
- Panel, Remote Control, **90**
- Panel, Remote Control (w/ Hourmeter), **91**
- Panel, Remote Printed (W/Hourmeter), **91**
- Panel, Roof, **76**

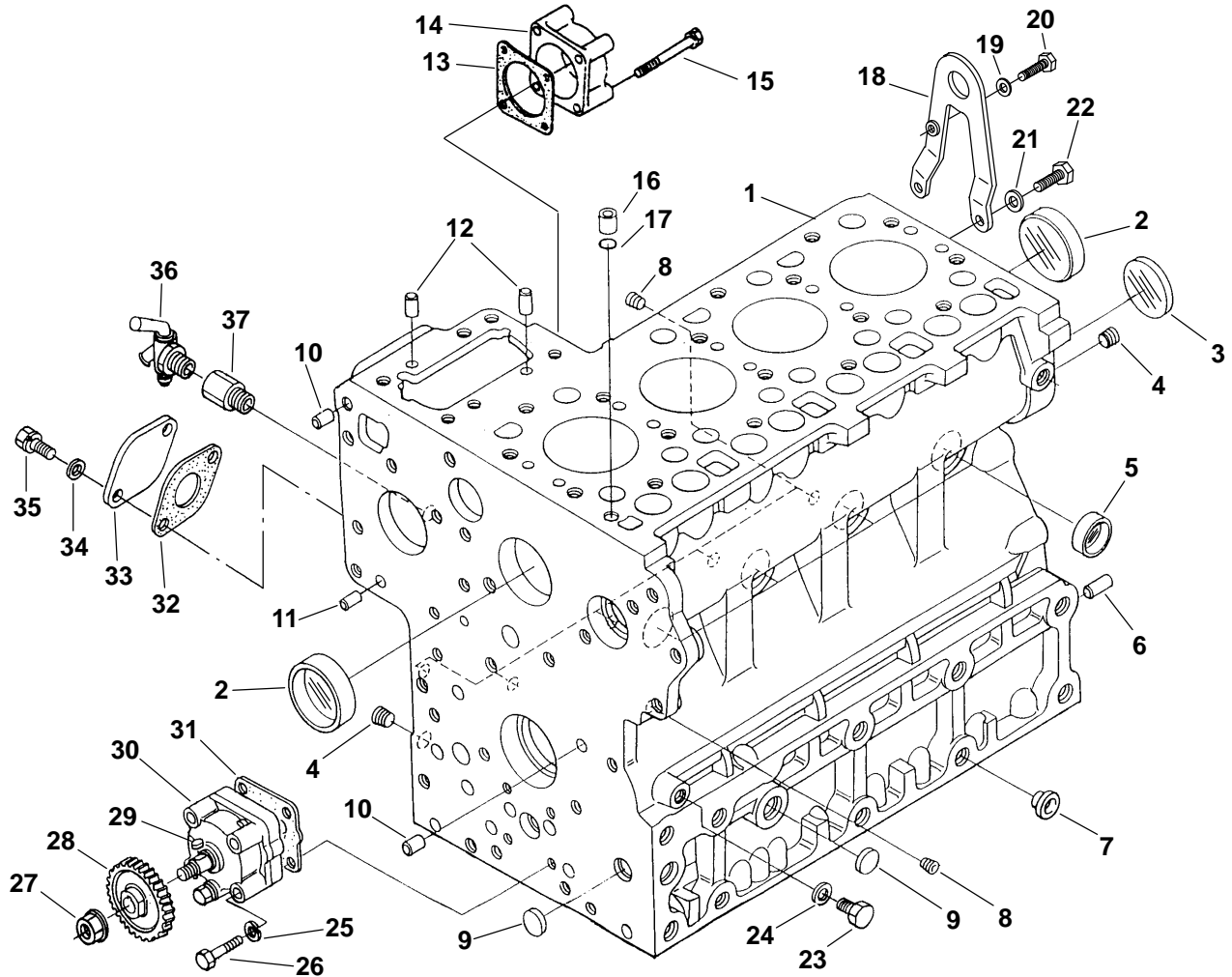
Index

Panel, Roof End, **79**
Panel, UMC Mounting, **85**
PCB Assy, Control, **85**
Pencil, Zinc, **53**
Pin, Cylinder Block Pipe (MDKBP, MDKBR), **8**
Pin, Cylinder Block Pipe (MDKBS), **9**
Pin, Cylinder Block Straight (MDKBS), **9**
Pin, Cylinder Block Straight (MDKBP, MDKBR), **8**
Pin, Cylinder Block Straight (MDKBS), **9**
Pin, Flywheel Alignment, **14**
Pin, Gearcase, **37**
Pin, Piston, **13**
Pin, Rocker Arm Bracket Spring (MDKBP, MDKBR), **30**
Pin, Rocker Arm Spring (MDKBS), **31**
Pin, Stop Lever Spring (MDKBP, MDKBR), **22**
Pin, Stop Lever Spring (MDKBS), **23**
Pin, Tappet Guide (MDKBP, MDKBR), **26**
Pin, Tappet Guide (MDKBS), **27**
Pinion Set, Starter (24V), **16**
Pipe, Injection (MDKBP, MDKBR), **32**
Pipe, Injection (MDKBS), **33**
Pipe, Overflow (MDKBP, MDKBR), **32**
Pipe, Overflow (MDKBS), **33**
Pipe, Water Return, **34**
Piston, **13**
Plate Assy, Lock (MDKBS), **27**
Plate, Alternator Retainer (Negative Ground, 12V), **42**
Plate, Alternator Retainer (Negative Ground, 24V), **43**
Plate, Breather (MDKBP, MDKBR), **35**
Plate, Breather (MDKBS), **36**
Plate, Injection Pump (MDKBS), **27**
Plate, Injection Pump Mounting (MDKBP, MDKBR), **26**
Plate, Speed Control (MDKBS), **20**
Plate, Water Pump Wear, **56**
Plug, Coolant Tank Hex Pipe, **58**
Plug, Cylinder Block (MDKBP, MDKBR), **8**
Plug, Cylinder Block (MDKBS), **9**
Plug, Cylinder Head (MDKBP, MDKBR), **28**
Plug, Cylinder Head (MDKBS), **29**
Plug, Fuel Filter Drain, **45**
Plug, Gearcase, **37**
Plug, Glow, **33**
Plug, Glow (MDKBS), **33**
Plug, Hex Head Pipe, **46**
Plug, Oil Fill, **37**
Plug, Oil Pan (MDKBP, MDKBR), **60**
Plug, Oil Pan (MDKBS), **61**
Plug, Water Outlet Flange, **34**
Plug, Water Separator, **48**
Plunger, Pump (MDKBP, MDKBR), **26**
Plunger, Pump (MDKBS), **27**
PTO, **62**
Pulley, Alternator (Isolated Ground), **41**
Pulley, Alternator (MDKBS), **40**
Pulley, Alternator (Negative Ground, 12V), **42**
Pulley, Alternator (Negative Ground, 24V), **43**
Pulley, Coolant Water Pump, **38**
Pulley, Fan Drive (MDKBP, MDKBR, Neg Gnd), **39**
Pump Assy, Coolant Water, **38**
Pump Assy, Injection (MDKBP, MDKBR), **24**
Pump Assy, Injection (MDKBS), **25**
Pump Assy, Water Separator, **48**
Pump, Electric Fuel, **45**
Pump, Fuel, **45**
Pump, Heat Exchanger Raw Water, **53**
Pump, Keel Cooling Raw Water (Wet Exhaust), **55**
Pump, Oil (MDKBP, MDKBR), **8**
Pump, Oil (MDKBS), **9**
Rack, Injection Pump Control (MDKBP, MDKBR), **26**
Rack, Injection Pump Control (MDKBS), **27**
Rectifier, Alternator (Negative Ground, 12V), **42**
Rectifier, Alternator (Negative Ground, 24V), **43**
Regulator, Alternator (Negative Ground, 12V), **42**
Regulator, Alternator (Negative Ground, 24V), **43**
Relay, Isolated Ground Solenoid, **69**
Remote Control Panel, **90**
Resistor, Fuel Pump (24V), **45**
Resonator, Intake, **63**
Retainer, Endbell, **83**
Retainer, Valve Spring (MDKBP, MDKBR), **30**
Retainer, Valve Spring (MDKBS), **31**
Ring, Idle Gear Retaining, **12**
Ring, Piston Retaining, **13**
Ring, Rocker Arm (MDKBP, MDKBR), **30**
Ring, Rocker Arm Retaining (MDKBS), **31**
Ring, Water Pump Retaining, **56**
Riser, Exhaust, **66**
Riser, Wet Exhaust, **65**
Rivet, Drive Plastic, **88**
Rod Assy, Connecting, **13**
Rod, Push, **12**
Rotor Assy, Generator, **83**
Rotor, Alternator (Negative Ground, 12V), **42**
Rotor, Alternator (Negative Ground, 24V), **43**
Rotor, Exciter, **83**
Screw, Follow, **24**
Seal, Bearing Housing Oil (MDKBS), **18**
Seal, Coolant Water Pump, **38**
Seal, Crankshaft Oil (MDKBP, MDKBR), **10**
Seal, Heat (MDKBS), **33**
Seal, Main Bearing Housing Oil (MDKBP, MDKBR), **17**
Seal, Nozzle Heat (MDKBP, MDKBR), **32**
Seal, Oil (MDKBS), **37**
Seal, Stop Lever Oil (MDKBP, MDKBR), **22**
Seal, Stop Lever Oil (MDKBS), **23**
Seal, Valve Stem (MDKBP, MDKBR), **30**
Seal, Valve Stem (MDKBS), **31**
Seal, Water Pump Lip, **56**
Seal, Water Pump Mechanical, **56**
Seal, Weather (15.6'), **77**
Seat, Spring (MDKBP, MDKBR), **26**
Seat, Spring (MDKBS), **27**

Index

Seat, Valve, **37**
Sender, Low Coolant, **58**
Sender, Oil, **46**
Sender, Oil Pressure, **46**
Sender, Water Temperature, **34**
Separator, Fuel/Water, **68**
Separator, Remote Fuel/Water, **47**
Separator, Remote Fuel/Water Separator, **47**
Separator, Water, **68**
Set, Ring, **13**
Shaft Assy, Rocker Arm (MDKBP, MDKBR), **30**
Shaft Assy, Rocker Arm (MDKBS), **31**
Shaft, Engine Stop Lever (MDKBP, MDKBR), **22**
Shaft, Fork Level, **21**
Shaft, Idle Gear, **12**
Shaft, Stop Lever (MDKBS), **23**
Shield, Engine Panel Sound (Access), **78**
Shield, Engine Panel Sound (Doors), **77**
Shield, Panel Engine Sound (Front and Rear), **79**
Shield, Panel Engine Sound (Front w/PTO), **81**
Shield, Sound, Engine (Cover), **76**
Shim, Injection Pump (MDKBS), **27**
Shim, Injection Pump Mounting (MDKBP, MDKBR), **24**
Shim, Injection Pump Mounting (MDKBS), **25**
Shim, PTO, **62**
Shim, Spring Seat (MDKBP, MDKBR), **26**
Siphon, Break (MDKBS), **51**
Sleeve, Air Intake, **63**
Sleeve, Crankshaft (MDKBP, MDKBR), **10**
Sleeve, Crankshaft (MDKBS), **11**
Sleeve, Injection Pump Control (MDKBS), **27**
Sleeve, Injection Pump Upper Spring (MDKBP, MDKBR), **26**
Slinger, Crankshaft Oil (MDKBS), **11**
Slinger, Oil (MDKBP, MDKBR), **10**
Socket, Relay, **92**
Spacer, Generator Fan, **83**
Spacer, Panel, **78**
Spring, Alternator Brush (Negative Ground, 12V), **42**
Spring, Alternator Brush (Negative Ground, 24V), **43**
Spring, Delivery Valve (MDKBP, MDKBR), **26**
Spring, Delivery Valve (MDKBS), **27**
Spring, Plunger (MDKBP, MDKBR), **26**
Spring, Plunger (MDKBS), **27**
Spring, Rocker Arm (MDKBP, MDKBR), **30**
Spring, Rocker Arm (MDKBS), **31**
Spring, Starter (12V), **15**
Spring, Starter (24V), **16**
Spring, Valve (MDKBP, MDKBR), **30**
Spring, Valve (MDKBS), **31**
Spring, Valve Seat, **37**
Standoff, Insulator, **87**
Stator, Generator, **83**
Stator, Wound, **83**
Stiffener, Enclosure, **76**
Stopper, Camshaft, **12**
Stopper, Starter Set (12V), **15**
Stopper, Starter Set (24V), **16**
Strainer, Water Pickup, **68**
Strap, Bond, **87**
Strap, Electrical, **71**
Support, Fuel Return, **46**
Switch, High Exhaust Temperature, **65**
Switch, Pressure, **53**
Switch, Rocker (S11), **90**
Switch, Rocker (S11) (Remote Control Panel), **91**
Switch, Rocker SPDT (Control Panel), **89**
Switch, Starter Solenoid (12V), **15**
Switch, Starter Solenoid (24V), **16**
System, Grounding, **71**
Tank, Coolant, **58**
Tank, Coolant Recovery, **59**
Tappet, **12**
Tappet Assy (MDKBS), **27**
Tappet Assy, Injection Pump (MDKBP, MDKBR), **26**
Tee, Keel Cooling, **57**
Tee, Keel Cooling (Wet Exhaust), **55**
Tee, Street, **46**
Thermostat, **34**
Tube, Breather (MDKBP, MDKBR), **35**
Tube, Breather (MDKBS), **36**
Tube, Flexible Exhaust, **67**
Tube, Low Pressure Switch, **53**
Tube, Oil Pickup (MDKBP, MDKBR), **60**
Tube, Oil Pickup (MDKBS), **61**
Valve (MDKBS), **31**
Valve, Check (MDKBP, MDKBR), **50**
Valve, Check (MDKBS), **51**
Valve, Delivery (MDKBP, MDKBR), **26**
Valve, Delivery (MDKBS), **27**
Valve, Exhaust (MDKBP, MDKBR), **30**
Valve, Inlet (MDKBP, MDKBR), **30**
Valve, Oil Drain Shutoff (MDKBS), **61**
Yoke Assy, Starter (12V), **15**
Yoke Assy, Starter (24V), **16**

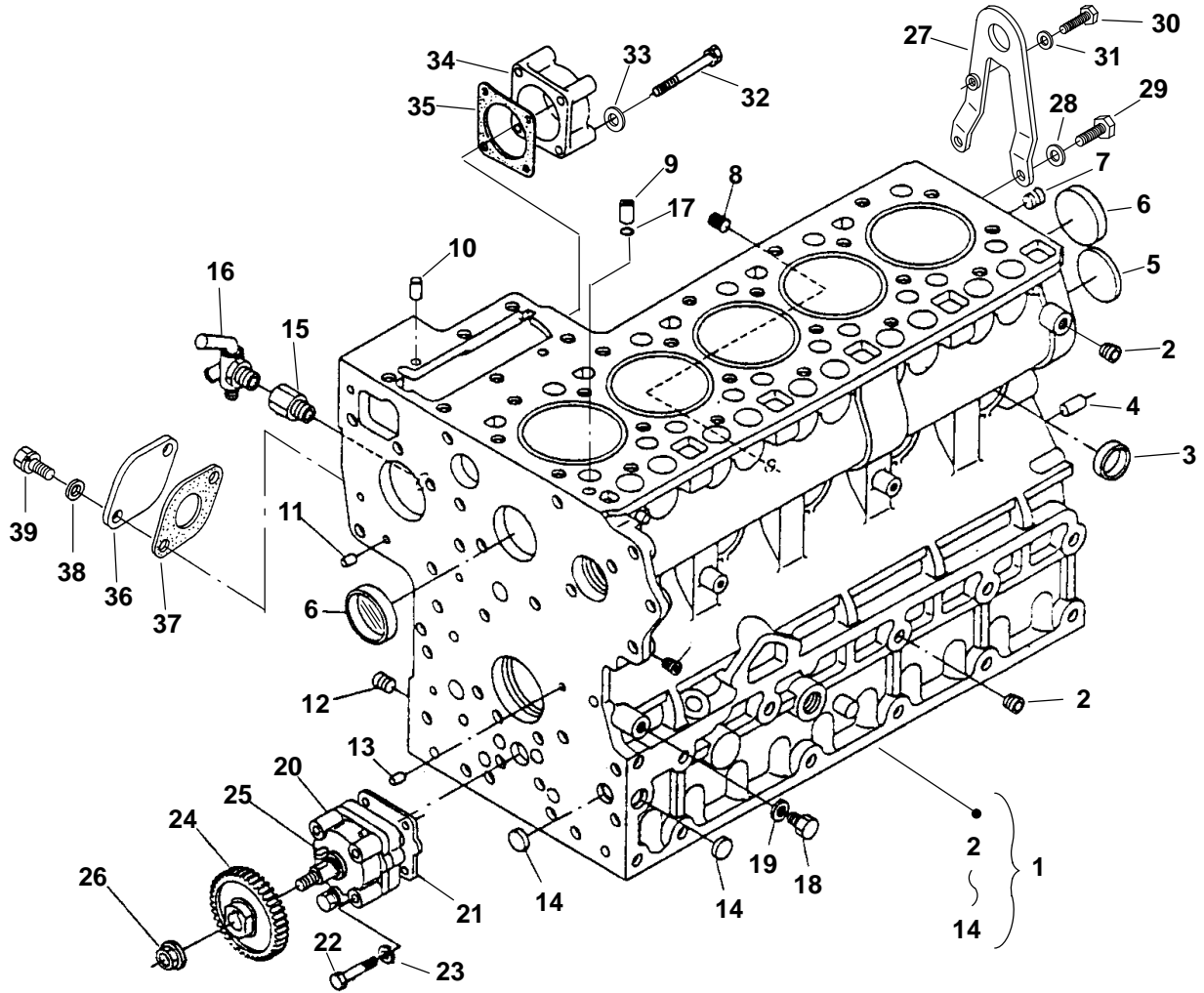
Cylinder Block, MDKBP, MDKBR



REF NO.	PART NO.	QTY USED	PART DESCRIPTION	REF NO.	PART NO.	QTY USED	PART DESCRIPTION
1			Engine, Replacement MDKBP	20	800-2056	1	Screw, Hex Head Cap (M8 x 1.25 x 16mm)
	100-3893-01	1	12V	21	526-2140	2	Washer, Flat (M12)
	100-3893-02	1	24V	22	800-3033	2	Screw, Hex Head Cap (M12 x 1.25 x 25mm)
			MDKBR	23	185-5845	1	Plug
	100-3894-01	1	12V	24	185-2338	1	Gasket
	100-3894-02	1	24V	25	185-6759	4	Washer, Spring
2	185-5841	2	Cap, Sealing	26	185-5850	4	Bolt
3	185-5839	1	Plug	27	185-7031	1	Nut, Flange
4	185-2234	2	Plug	28	185-5851	1	Gear, Oil Pump Drive
5	185-5840	6	Cap, Sealing	29	185-2352	1	Key
6	185-5844	1	Pin, Straight	30	185-5848	1	Pump, Oil
7	185-5837	2	Plug	31	185-5849	1	Gasket, Oil Pump
8	185-2233	6	Plug	32	185-2125	1	Gasket, Hole Cover
9	185-6121	3	Plug	33	185-6784	1	Cover, Hole
10	185-5843	2	Pin, Straight	34	850-2006	2	Washer, Flat
11	185-5842	2	Pin, Straight	35	800-2034	2	Bolt
12	185-2350	2	Pin, Straight	36	185-5846	1	Cock, Drain
13	185-6982	1	*Gasket, Cover	37	185-5847	1	Joint, Drain Cock
14	185-6772	1	*Cover, Fuel Camshaft				
15	185-5676	4	*Bolt				
16	185-2094	1	Pin, Pipe				
17	185-2095	1	O'Ring				
18	403-3916-02	1	Bracket, Lifting				
19	526-2100	2	Washer (M8)				

* - Parts Included in Keel Cooling Kit Found on Keel Cooling Dry Exhaust Page).

Cylinder Block, MDKBS

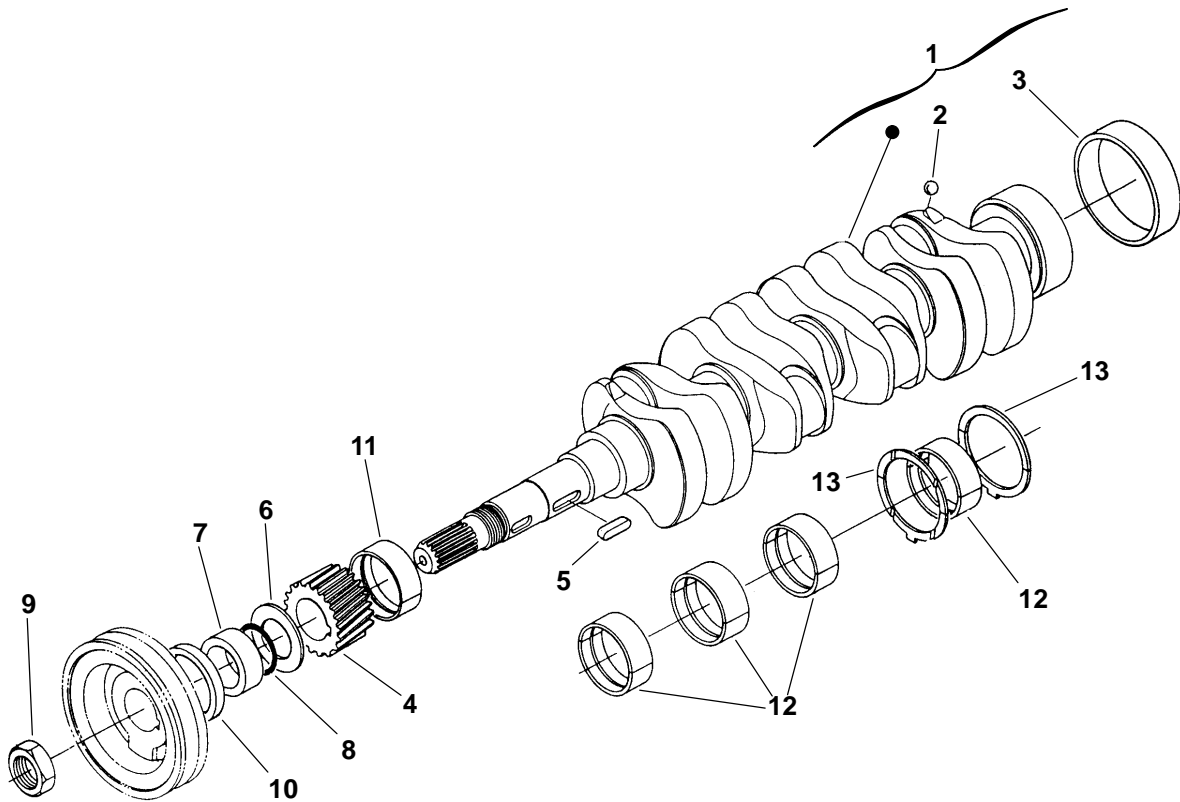


REF NO.	PART NO.	QTY USED	PART DESCRIPTION	REF NO.	PART NO.	QTY USED	PART DESCRIPTION
			Engine, Replacement (MDKBS)	22	185-6042	4	Bolt
	100-3895-01	1	12V	23	185-6759	4	Washer, Spring
	100-3895-02	1	24V	24	185-6043	1	Gear, Oil Pump Drive
1	185-6038	1	Block Assy, Cylinder (Includes Parts Marked #)	25	185-2352	1	Key
2	185-6039	4	#Plug	26	185-7031	1	Nut, Flange
3	185-5840	8	#Cap, Sealing	27	403-3916-02	1	Bracket, Lifting
4	185-5844	1	#Pin, Straight	28	526-2146	2	Washer, Flat (M12)
5	185-6040	1	#Plug	29	800-3033	2	Screw, Hex Head Cap (M12 x 1.25 x 25mm)
6	185-5841	2	#Cap, Sealing	30	800-2056	1	Screw, Hex Head Cap (M8 x 1.25 x 16mm)
7	185-2234	2	#Plug	31	526-2100	1	Washer (M8)
8	185-2233	7	#Plug	32	185-5676	4	*Screw, Hex Head Cap (M8 x 70mm)
9	185-2094	1	#Pin, Pipe	33	526-2100	4	Washer, Flat
10	185-2350	2	#Pin, Straight	34	185-6772	1	*Cover
11	185-5842	2	#Pin, Straight	35	185-6982	1	*Gasket
12	185-5837	2	#Plug	36	185-6784	1	Cover, Hole
13	185-5843	2	#Pin, Straight	37	185-2125	1	Gasket, Hole Cover
14	185-6121	3	#Plug	38	850-2006	2	Washer, Flat
15	185-5847	1	Joint, Drain Cock	39	800-2034	2	Bolt
16	185-5846	1	Cock, Drain				
17	185-2095	1	O'Ring				
18	185-5845	1	Plug				
19	185-2338	1	Gasket				
20	185-6041	1	Pump, Oil				
21	185-5849	1	Gasket, Oil Pump				

- Parts included in Cylinder Block Assy.

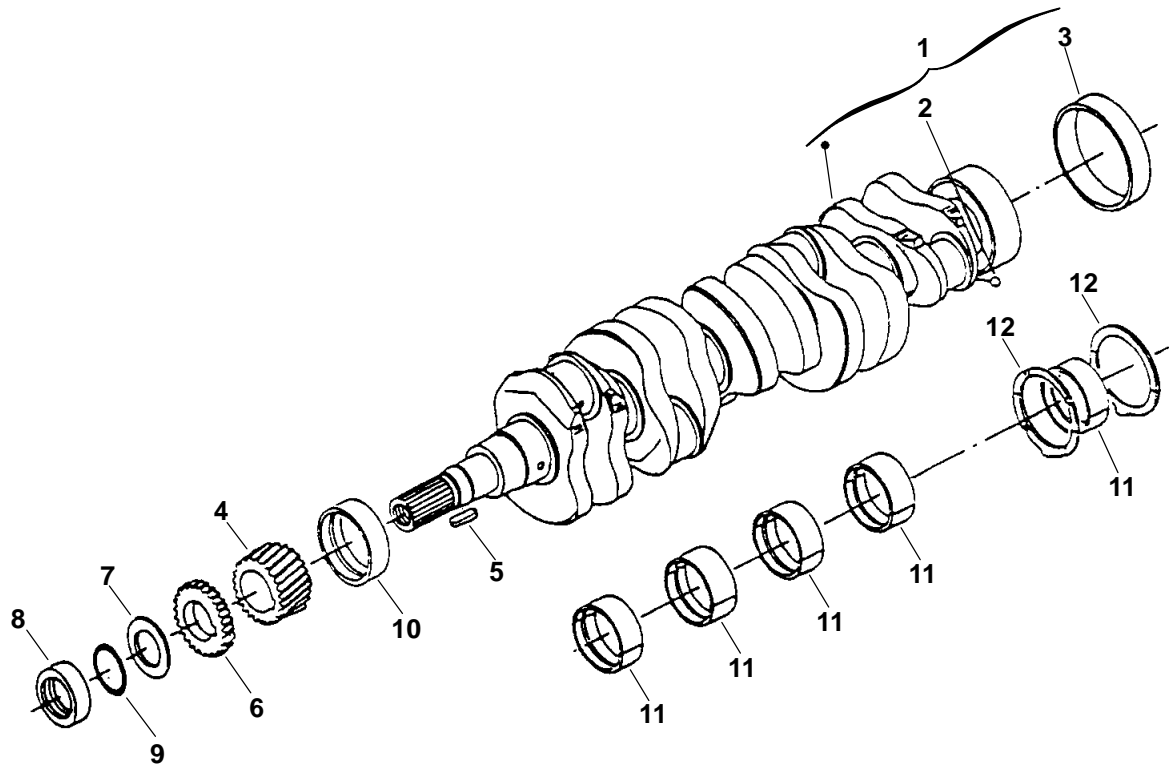
* - Parts Included in Keel Cooling Kit Listed on Keel Cooling-Dry Exhaust Page.

Crankshaft MDKBP, MDKBR



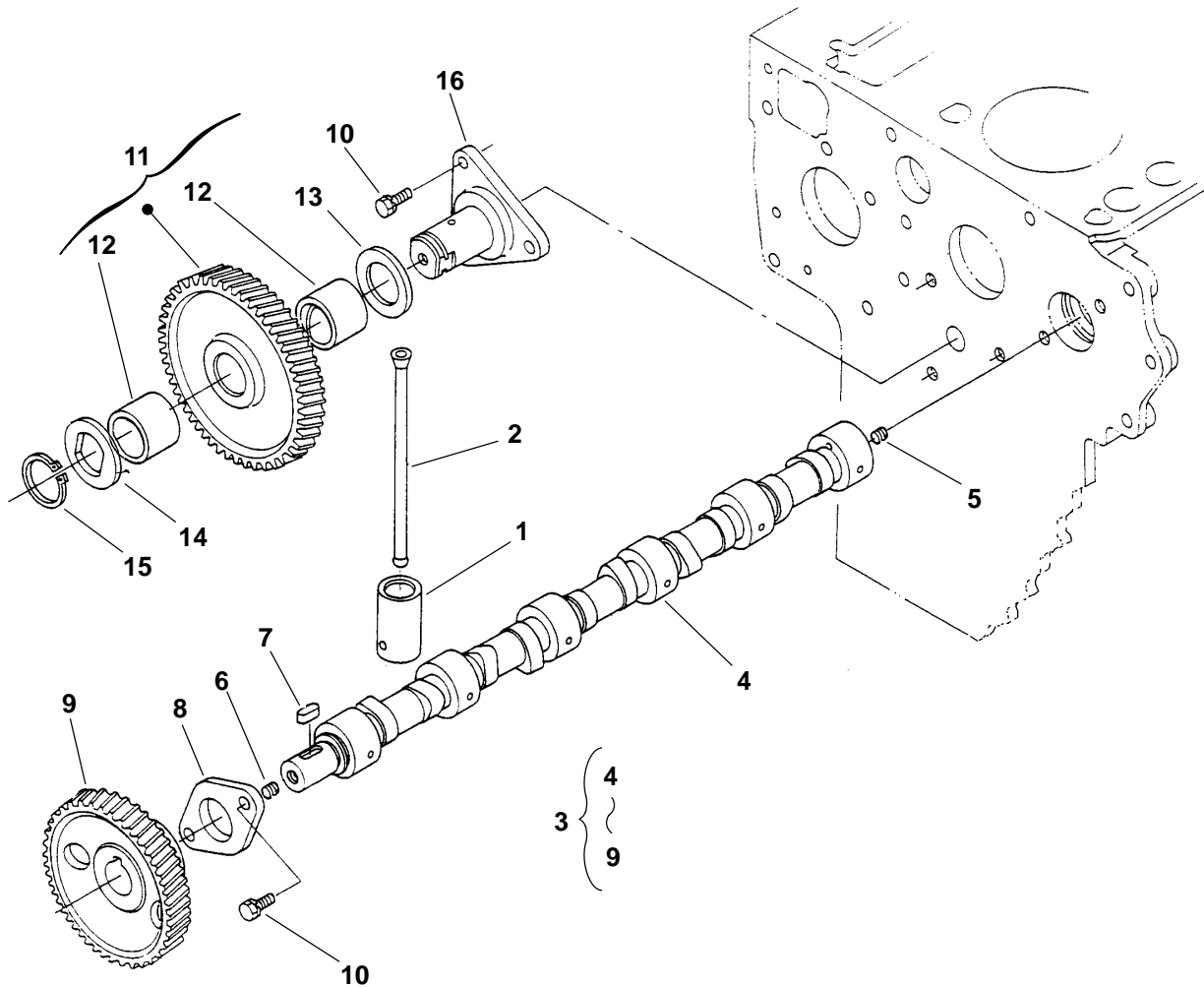
REF NO.	PART NO.	QTY USED	PART DESCRIPTION	REF NO.	PART NO.	QTY USED	PART DESCRIPTION
1	185-5923	1	Crankshaft (Includes Balls and Sleeve)	12			Bearing, Main
2	185-5924	4	Ball	185-6086	4		Standard
3	185-5925	1	Sleeve	185-6976	4		0.2 mm Undersize
4	185-5926	1	Gear	185-5937	4		0.4 mm Undersize
5	185-5905	1	Key	13			Bearing, Thrust
6	185-5927	1	Slinger, Oil	185-5938	2		Standard
7	185-5928	1	Collar	185-5939	2		0.2 mm Oversize
8	185-5929	1	O'Ring	185-5940	2		0.4 mm Oversize
9	185-5930	1	Nut	185-5941	2		Standard
10	185-5931	1	Seal, Oil	185-5942	2		0.2 mm Oversize
11			Bearing	185-5943	2		0.4 mm Oversize
	185-6085	1	Standard				
	185-5933	1	0.2 mm Undersize				
	185-5934	1	0.4 mm Undersize				

Crankshaft MDKBS



REF NO.	PART NO.	QTY USED	PART DESCRIPTION	REF NO.	PART NO.	QTY USED	PART DESCRIPTION
1	185-7036	1	Crankshaft (Includes Balls and Sleeve)	11	185-6086	5	Bearing, Main Standard
2	185-5924	5	Ball	11	185-6976	5	0.2 mm Undersize
3	185-6079	1	Sleeve	11	185-6977	5	0.4 mm Undersize
4	185-6080	1	Gear	12	185-5938	2	Bearing, Thrust Standard
5	185-6081	1	Key	12	185-5939	2	0.2 mm Oversize
6	185-6082	1	Gear, Oil Drive	12	185-5940	2	0.4 mm Oversize
7	185-6083	1	Slinger, Oil	12	185-5941	2	Standard
8	185-6084	1	Collar	12	185-6088	2	0.2 mm Oversize
9	185-5929	1	O'Ring	12	185-6089	2	0.4 mm Oversize
10			Bearing				
	185-6085	1	Standard				
	185-6974	1	0.2 mm Undersize				
	185-5934	1	0.4 mm Undersize				

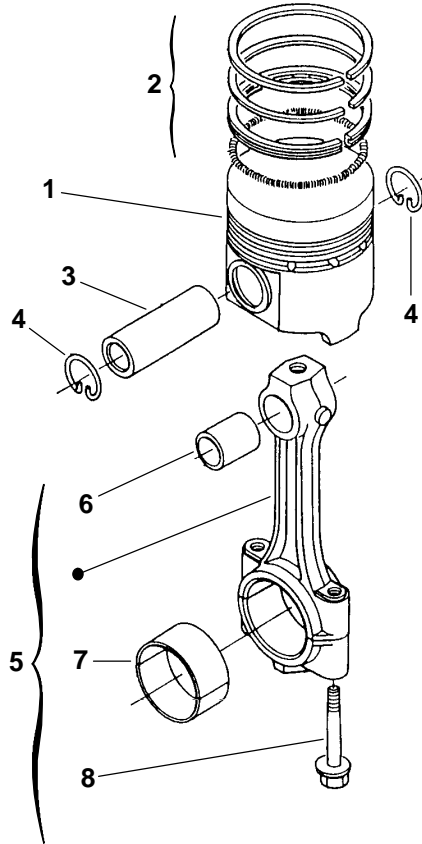
Camshaft



REF NO.	PART NO.	QTY USED	PART DESCRIPTION	REF NO.	PART NO.	QTY USED	PART DESCRIPTION
1			Tappet	10	185-2400	5	Bolt
	185-5900	8	MDKBP, MDKBR	11			Gear Assy, Idle (Includes Bushing)
	185-5900	10	MDKBS		185-5907	1	MDKBP, MDKBR
2			Rod, Push		185-6207	1	MDKBS
	185-5901	8	MDKBP, MDKBR	12			Bushing, Idle Gear
	185-5901	10	MDKBS		185-5908	1	MDKBP, MDKBR
3			Camshaft Assy (Includes Parts Marked *)		185-5908	2	MDKBS
	185-5902	1	MDKBP, MDKBR	13	185-5909	1	Collar
	185-6064	1	MDKBS	14	185-5910	1	Collar
4			*Camshaft	15	185-5911	1	Ring, External Retaining
	185-5903	1	MDKBP, MDKBR	16	185-5912	1	Shaft, Idle Gear
	185-6065	1	MDKBS				
5	185-5558	1	*Screw, Set				
6	185-6066	1	*Screw, Set (MDKBS)				
7	185-5905	1	*Key				
8	185-5906	1	*Stopper, Camshaft				
9			*Gear, Camshaft				
	185-5904	1	MDKBP, MDKBR				
	185-6067	1	MDKBS				

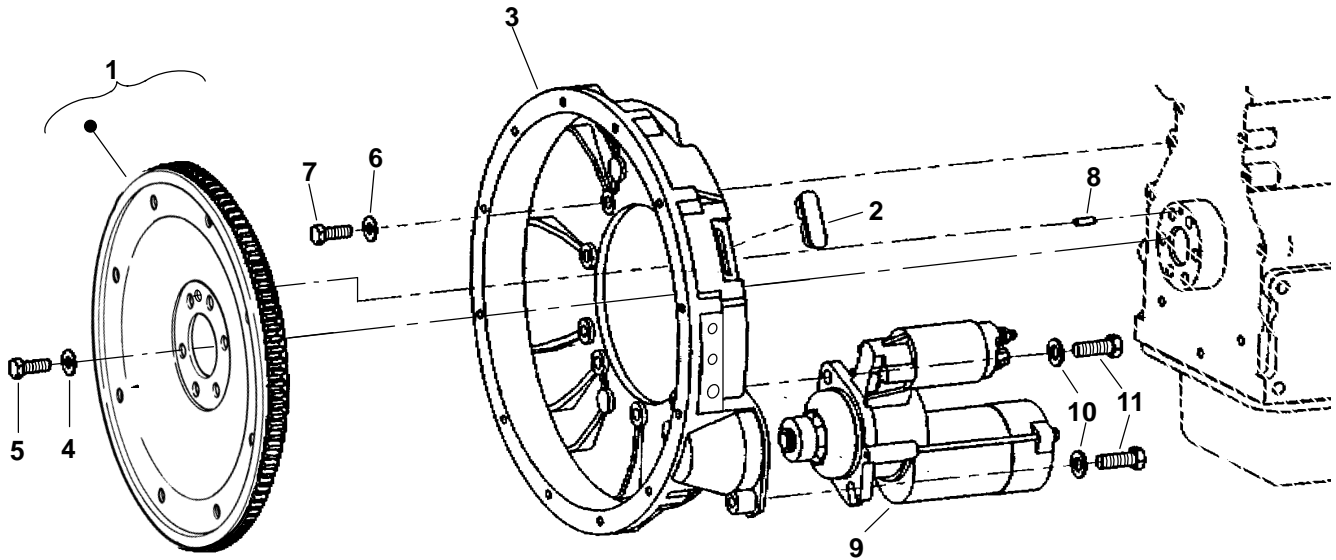
* - Parts Included in Camshaft Assy

Piston



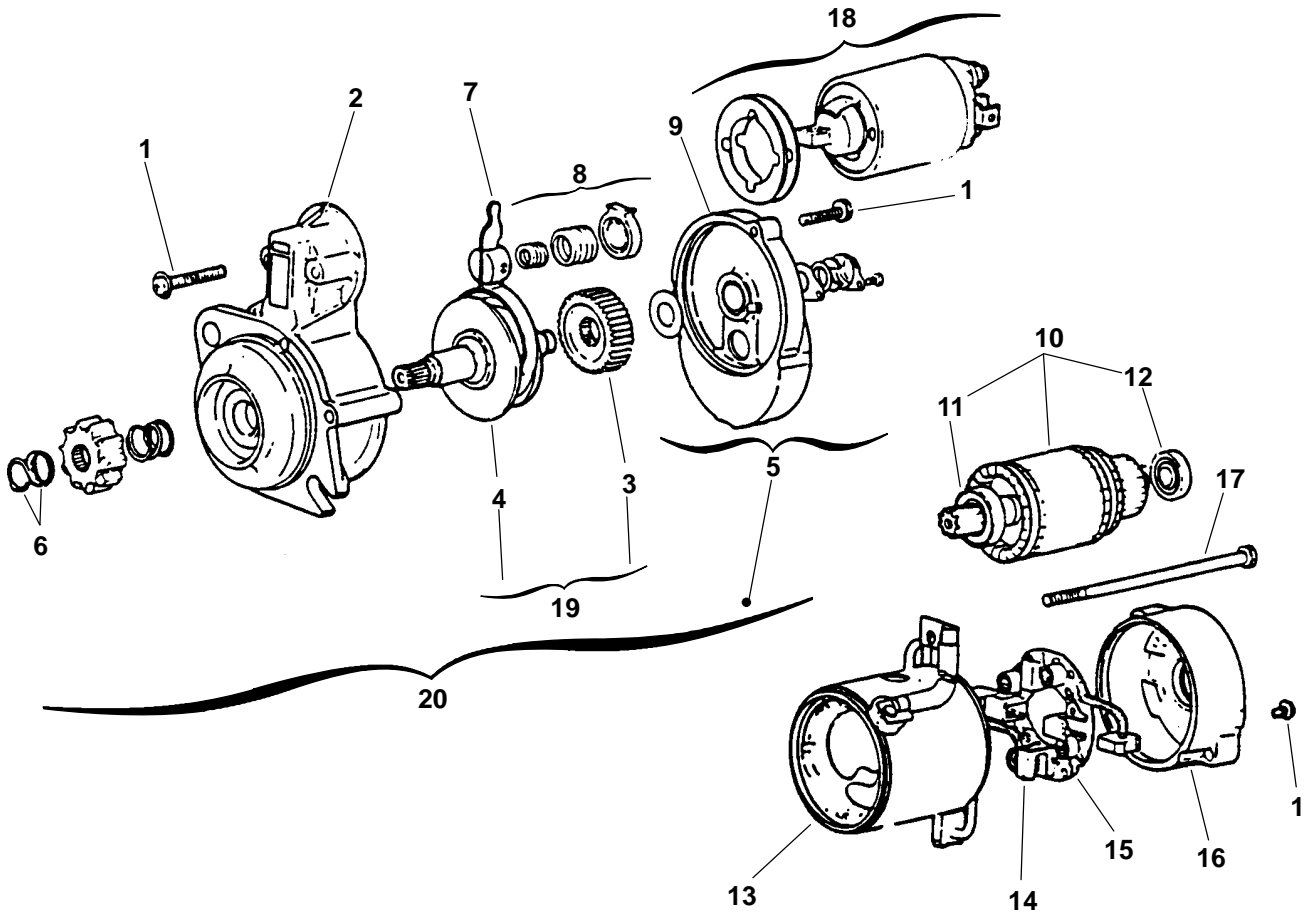
REF NO.	PART NO.	QTY USED	PART DESCRIPTION	REF NO.	PART NO.	QTY USED	PART DESCRIPTION
1			Piston	4			Ring, Retaining
	185-6767	4	MDKBP Standard		185-5916	8	MDKBP, MDKBR
	185-6768	4	MDKBP 0.5 mm Oversize		185-5916	10	MDKBS
			MDKBR	5			Rod Assy, Connecting (Includes Bushing, Bearing and Bolts)
	185-5913	4	MDKBR Standard		185-5917	4	MDKBP, MDKBR
	185-6074	4	MDKBR 0.5 mm Oversize		185-5917	5	MDKBS
			MDKBS	6			Bushing
	185-5913	5	MDKBS Standard		185-6209	4	MDKBP, MDKBR
	185-6074	5	MDKBS 0.5 mm Oversize		185-6209	5	MDKBS
2			Set, Ring	7			Bearing
			MDKBP				Standard
	185-6769	4	MDKBP Standard		185-6076	4	MDKBP, MDKBR
	185-6770	4	MDKBP 0.5 mm Oversize		185-6076	5	MDKBS
			MDKBR				0.2 mm Undersize
	185-5914	4	MDKBR Standard		185-5921	4	MDKBP, MDKBR
	185-6075	4	MDKBR 0.5 mm Oversize		185-5921	5	MDKBS
			MDKBS				0.4 mm Undersize
	185-5914	5	MDKBS Standard		185-5922	4	MDKBP, MDKBR
	185-6075	5	MDKBS 0.5 mm Oversize		185-5922	5	MDKBS
3			Pin, Piston	8			Bolt
	185-5915	4	Pin, Piston MDKBP, MDKBR		185-6771	8	MDKBP, MDKBR
	185-5915	5	Pin, Piston MDKBS		185-6771	10	MDKBS

Flywheel



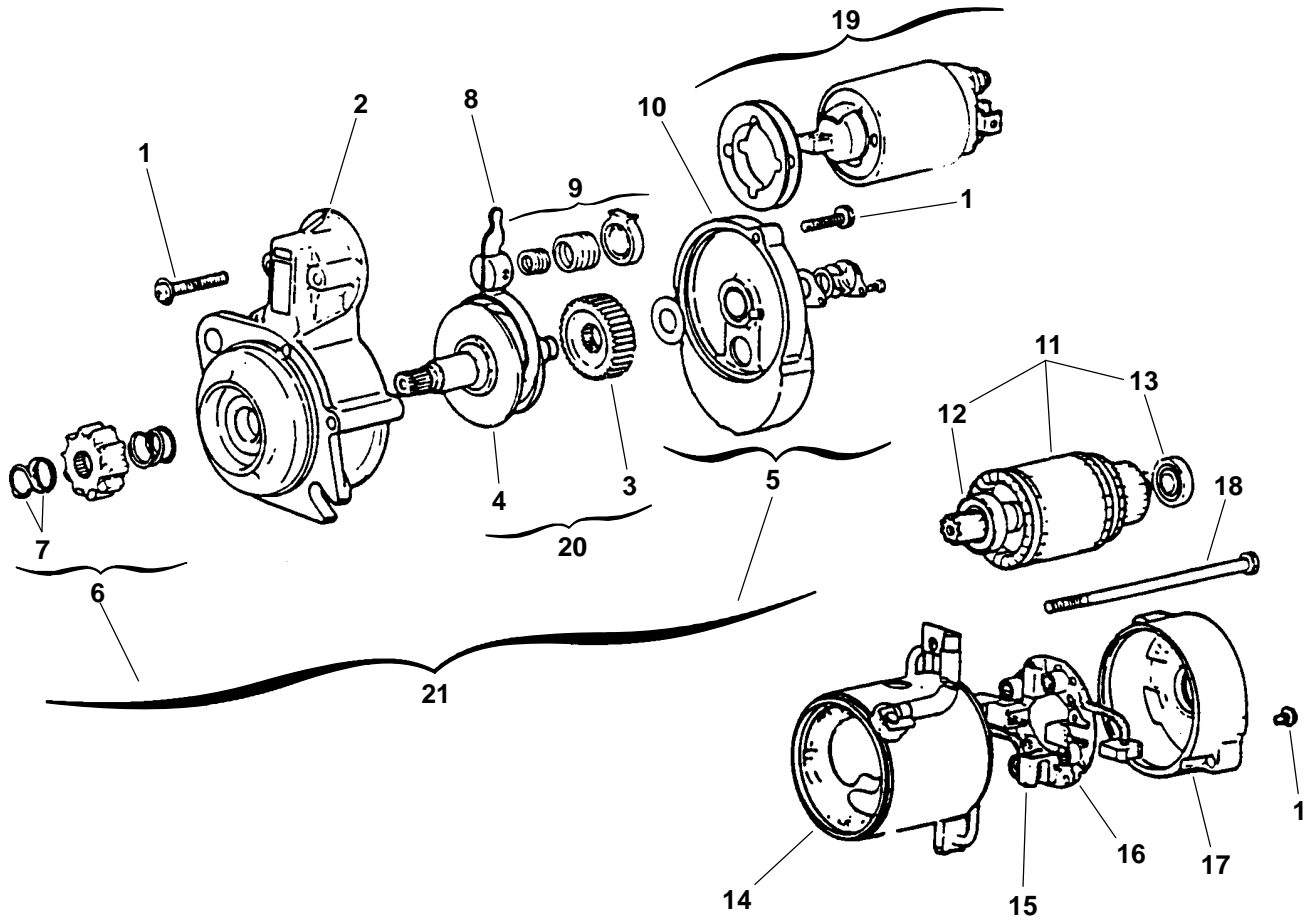
REF NO.	PART NO.	QTY USED	PART DESCRIPTION	REF NO.	PART NO.	QTY USED	PART DESCRIPTION
1			Flywheel Assy (Includes Ring Gear)	8	775-0061	1	Pin, Parallel Hard (MDKBP, MDKBR)
	104-1929	1	MDKBP, MDKBR	9			Starter (See Separate Page For Components)
	104-1927	1	MDKBS		191-1959	1	12V
2	101-0811	1	Plug, Hole		191-1550	1	24V
3	101-0821	1	Adapter, Engine	10	526-2140	2	Washer, Flat (M12)
4	526-0145	6	Washer, Flat (M12)	11	800-2113	2	Screw, Hex Head Cap (M12 x 1.75 x 35mm)
5	800-3032	6	Screw, Hex Head Cap (M12 x 1.25 x 30mm)				
6	526-0399-62	11	Washer, Flat (M10)				
7	800-3005	11	Screw, Hex Head Cap (M10 x 1.25 x 30mm)				

Starter Components (12V)



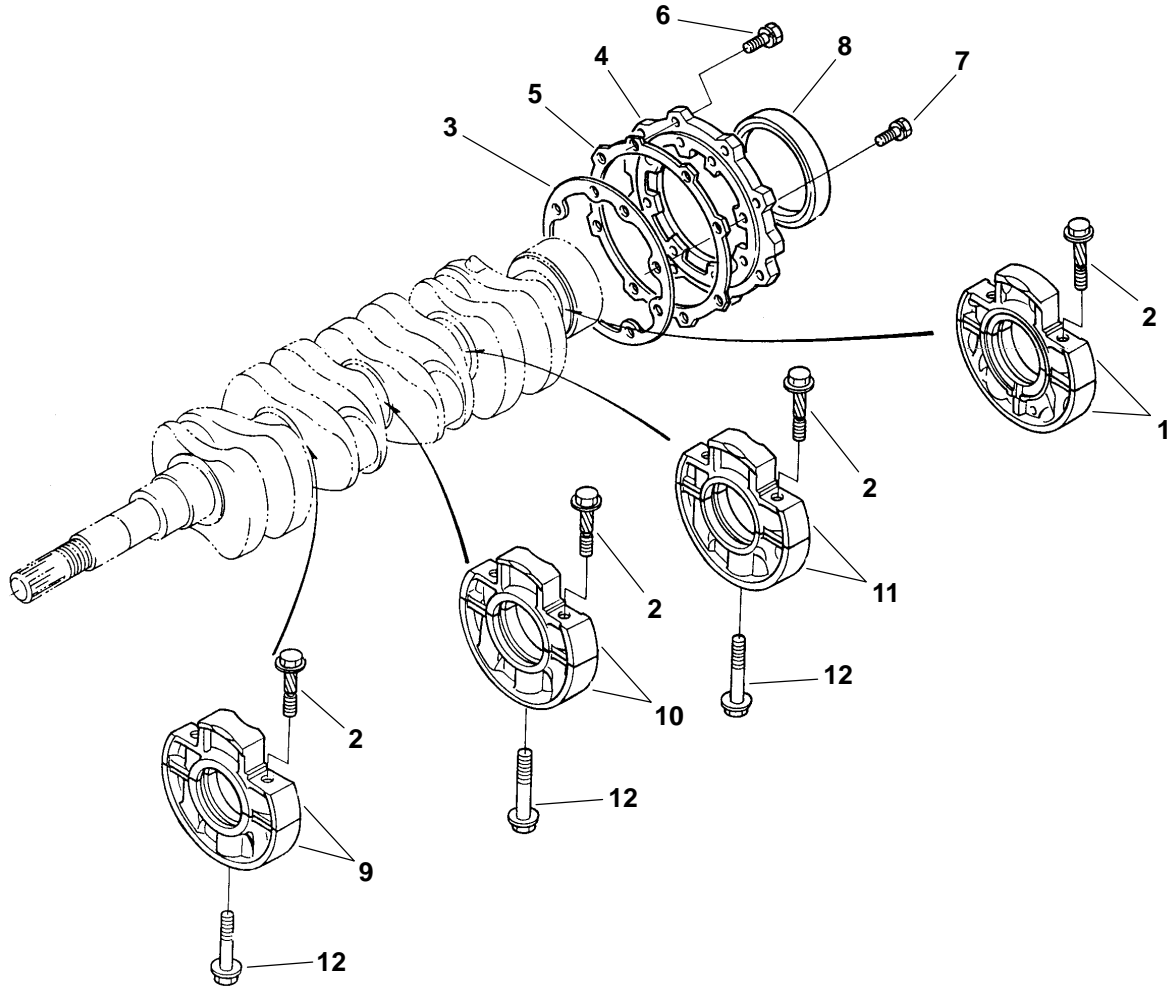
REF NO.	PART NO.	QTY USED	PART DESCRIPTION	REF NO.	PART NO.	QTY USED	PART DESCRIPTION
	191-1959	1	Starter	11	191-1437	1	Bearing, Center
1	191-1450	4	Set, Screw	12	191-1436	1	Bearing, Rear
2	191-1449	1	Bracket Assy, Front	13	191-1992	1	Yoke Assy
3	191-1446	1	Gear	14	191-1993	1	Holder Assy, Brush
4	191-1445	1	Drive Assy	15	191-1433	1	Spring, Brush
5	191-1444	1	Cover Assy	16	191-1432	1	Bracket, Rear
6	191-1442	1	Stopper, Set	17	191-1431	1	Bolt, Set
7	191-1441	1	Lever Assy	18	191-1994	1	Switch, Solenoid
8	191-1991	1	Spring, Set	19	191-1447	1	Gear, Set
9	191-1439	1	Bracket Assy, Center	20	191-1448	1	Drive Assy
10	191-1438	1	Armature (Includes Bearings)				

Starter Components (24V)



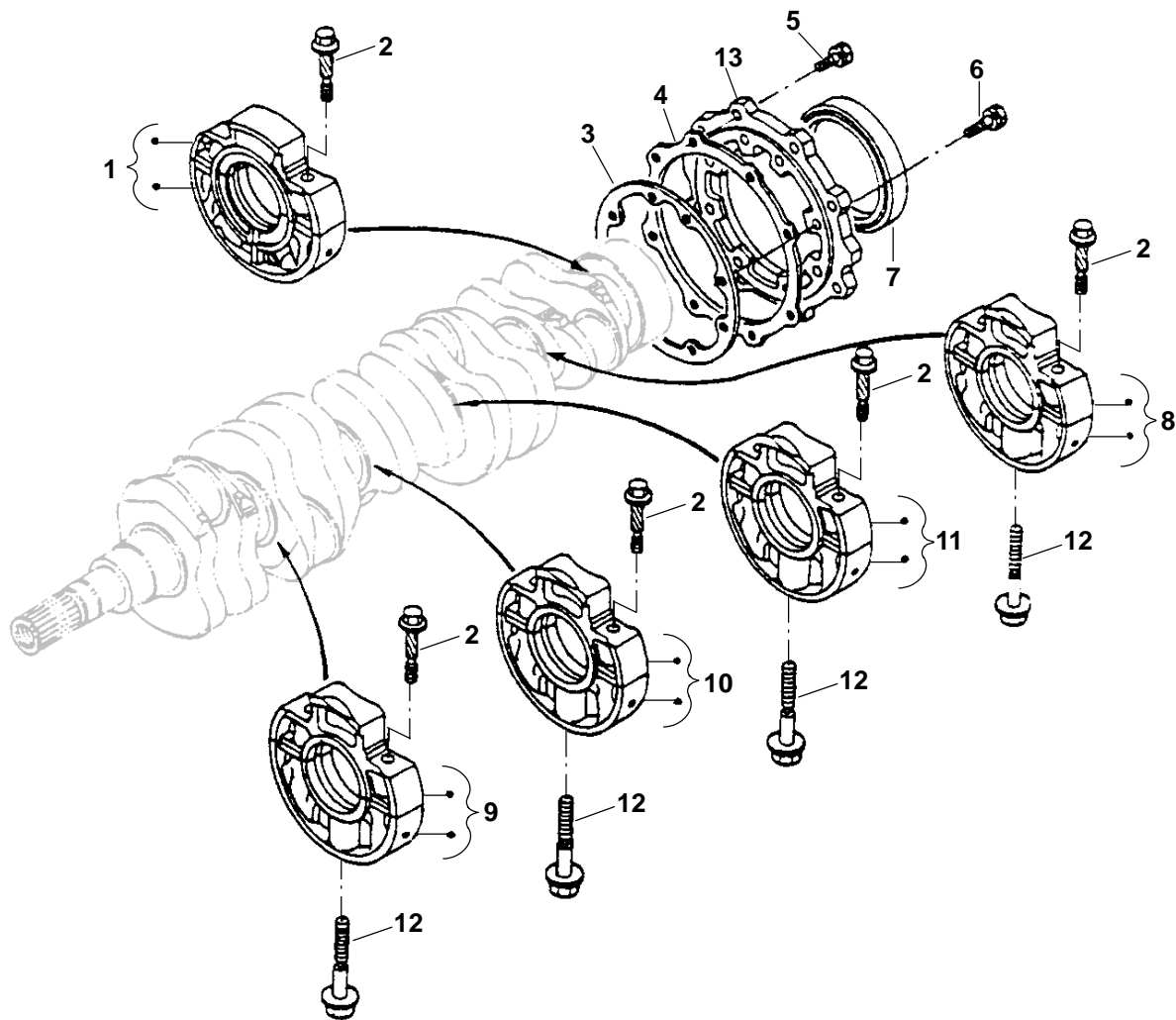
REF NO.	PART NO.	QTY USED	PART DESCRIPTION	REF NO.	PART NO.	QTY USED	PART DESCRIPTION
	191-1550	1	Starter	11	191-1606	1	Armature (Includes Bearings)
1	191-1450	4	Set, Screw	12	191-1437	1	Bearing, Center Sleeve
2	191-1449	1	Bracket Assy, Front (Includes Bearing)	13	191-1436	1	Bearing, Rear Sleeve
3	191-1446	1	Gear	14	191-1607	1	Yoke Assy (Includes Pole Shoes, Field Coil, Positive Brushes)
4	191-1445	1	Drive	15	191-1608	1	Holder, Brush (Includes Negative Brushes)
5	191-1444	1	Cover Assy, Rear (Includes Cover Plate, Washers, Screws, and Snap Ring)	16	191-1433	4	Spring, Brush
6	191-1960	1	Pinion Set (Includes Pinion, Spring & Stopper Set)	17	191-1432	1	Bracket, Rear
7	191-1442	1	Stopper, Set (Includes Ring)	18	191-1431	1	Bolt, Set
8	191-1441	1	Lever Assy	19	191-1609	1	Switch, Solenoid (Includes Shims)
9	191-1440	1	Spring Set	20	191-1447	1	Gear, Set
10	191-1439	1	Bracket, Center	21	191-1448	1	Drive Assy

Main Bearing Housing MDKBP, MDKBR



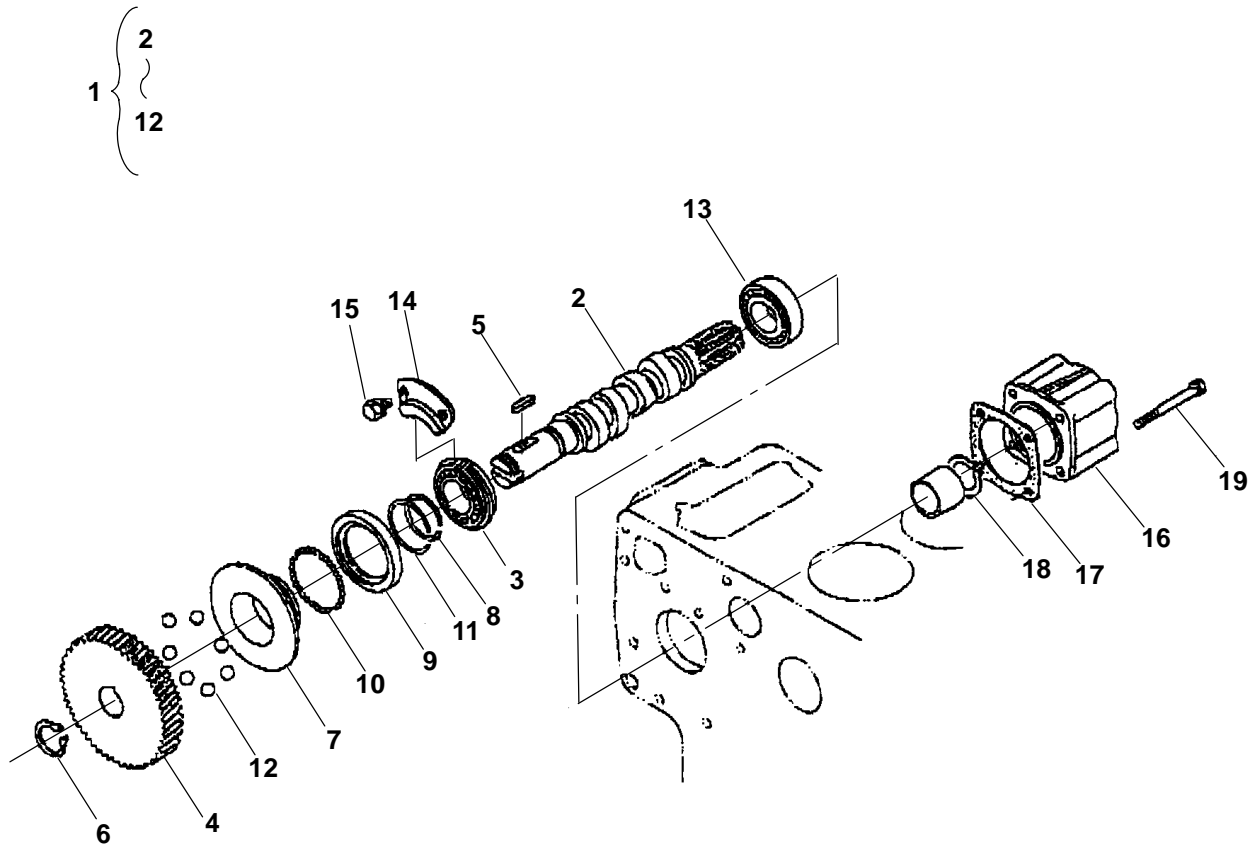
REF NO.	PART NO.	QTY USED	PART DESCRIPTION	REF NO.	PART NO.	QTY USED	PART DESCRIPTION
1	185-5889	1	Housing, Main Bearing	7	185-2404	8	Bolt
2	185-5890	8	Bolt, Bearing Housing	8	185-5895	1	Seal, Oil
3	185-6766	1	Gasket, Bearing Housing	9	185-5896	1	Housing, Main Bearing
4	185-5892	1	Cover, Bearing Housing	10	185-5897	1	Housing, Main Bearing
5	185-5893	1	Gasket, Bearing Housing Cover	11	185-5898	1	Housing, Main Bearing
6	185-2403	8	Bolt	12	185-5899	3	Bolt, Bearing Housing

Main Bearing Housing MDKBS



REF NO.	PART NO.	QTY USED	PART DESCRIPTION	REF NO.	PART NO.	QTY USED	PART DESCRIPTION
1	185-5889	1	Housing, Main Bearing	8	185-5896	1	Housing, Main Bearing
2	185-5890	10	Bolt, Bearing Housing	9	185-5897	1	Housing, Main Bearing
3	185-6766	1	Gasket, Bearing Housing	10	185-5898	1	Housing, Main Bearing
4	185-5893	1	Gasket, Bearing Housing Cover	11	185-6063	1	Housing, Main Bearing
5	185-2403	8	Bolt	12	185-5899	4	Bolt, Bearing Housing
6	185-2404	8	Bolt	13	185-5892	1	Cover, Bearing Housing
7	185-6062	1	Seal, Oil				

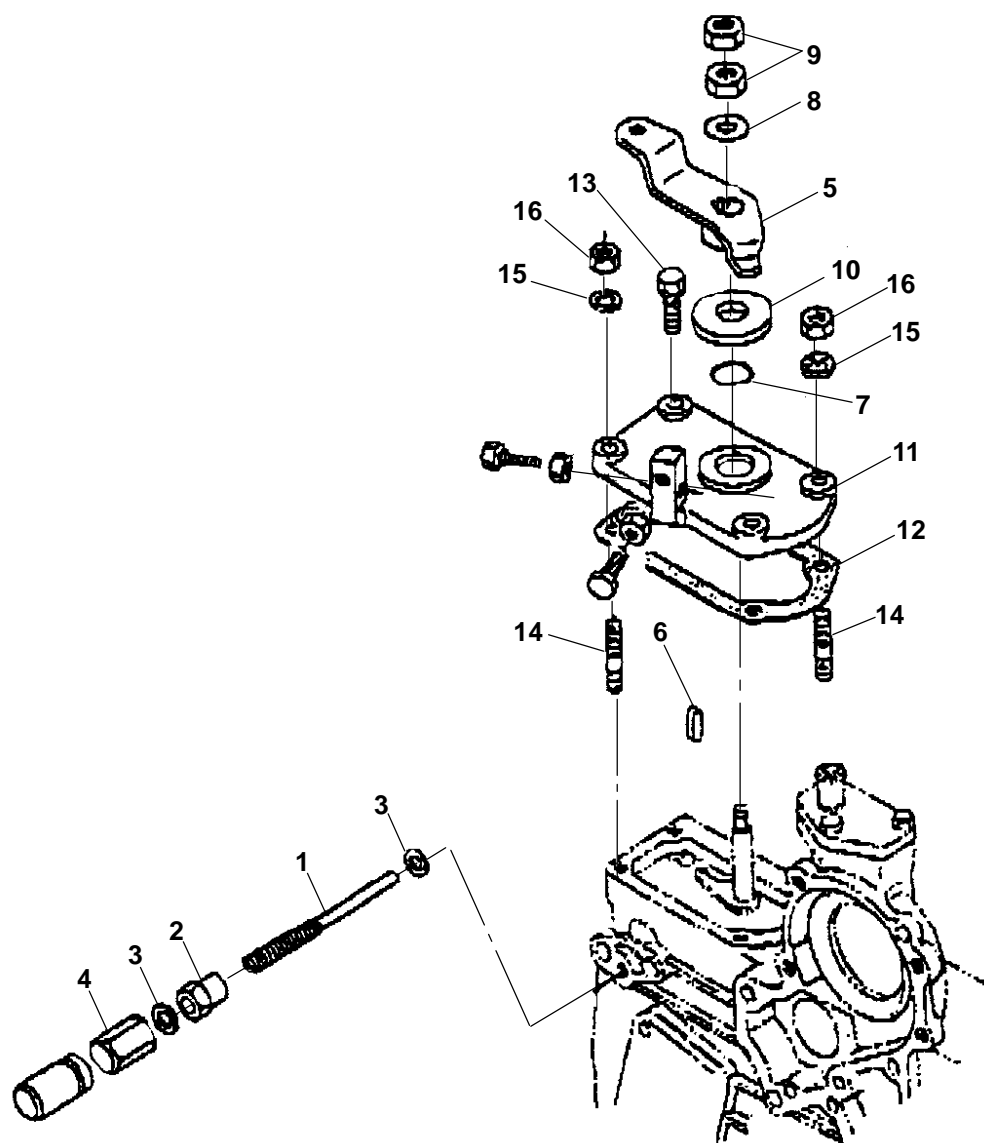
Fuel Camshaft



REF NO.	PART NO.	QTY USED	PART DESCRIPTION	REF NO.	PART NO.	QTY USED	PART DESCRIPTION
1	105-0737	1	Camshaft Assy, Fuel (Includes Parts Marked *)	12	105-0741	1	*Ball
2	105-0738	1	*Camshaft, Fuel	13	185-5961	1	Bearing, Ball
3	185-5947	1	*Bearing, Ball	14	105-0739	1	Stopper, Fuel Camshaft
4	147-0882	1	*Gear, Injection Pump	15	185-3009	2	Bolt
5	185-5949	1	*Key, Feather	16	185-6772	1	Cover, Fuel Camshaft
6	185-5950	1	*Clip, External Circular	17	185-6982	1	Gasket
7	150-2798	1	*Sleeve, Governor	18	185-5963	1	Clip, External Circular
8	518-0712	1	*Clip, Governor Sleeve	19	800-6304	2	Bolt
9	150-2880	1	*Case, Governor Ball				
10	150-0740	7	*Ball				
11	518-0713	1	*Clip, Circular				

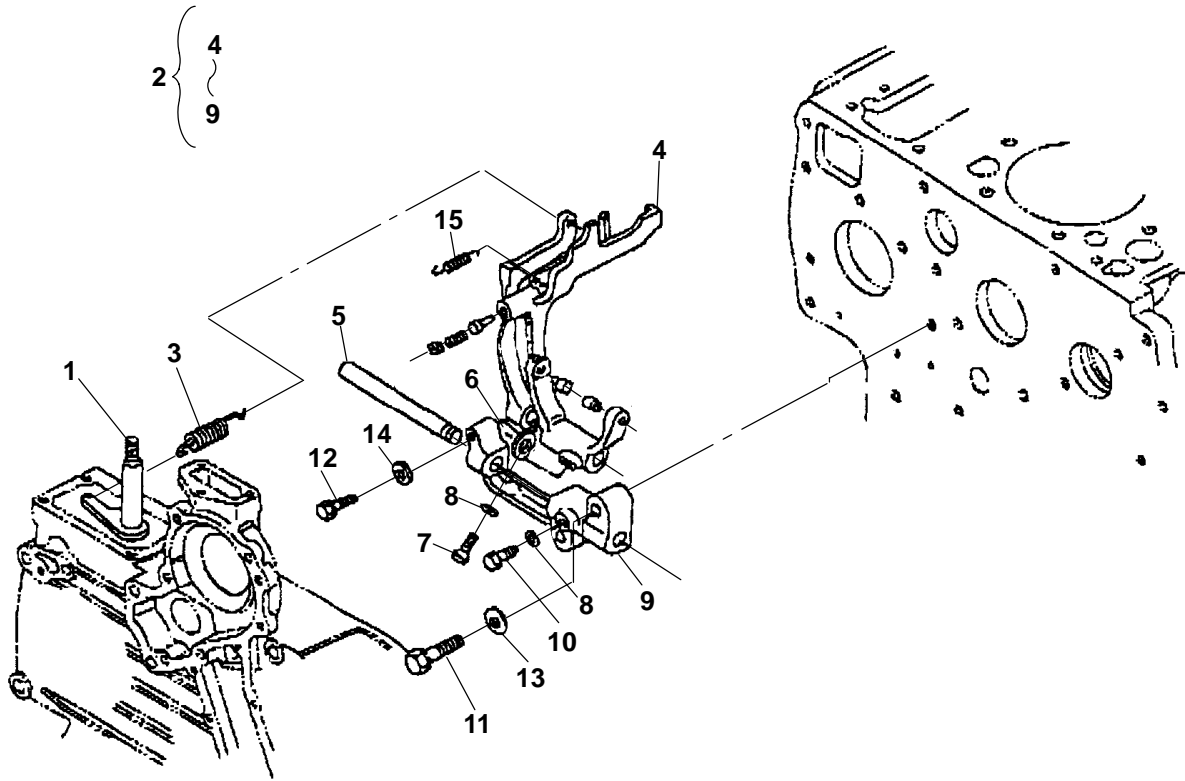
* - Parts Included in Fuel Camshaft Assy

Speed Control



REF NO.	PART NO.	QTY USED	PART DESCRIPTION	REF NO.	PART NO.	QTY USED	PART DESCRIPTION
1	800-6307	1	Bolt, Adjusting - Maximum Fuel	9	185-3033	2	Nut
2	860-2032	1	Nut	10	508-1191	1	Collar
3	185-2284	2	Gasket	11	152-0371	1	Plate, Speed Control
4	185-5529	1	Nut	12	185-6180	1	Gasket
5	152-0370	1	Lever, Speed Control	13	185-2390	2	Bolt
6	185-5415	1	Key, Feather	14	185-2105	2	Stud
7	509-0375	1	O'Ring	15	850-2083	2	Washer, Spring
8	526-2301	1	Washer, Plain	16	185-4255	2	Nut

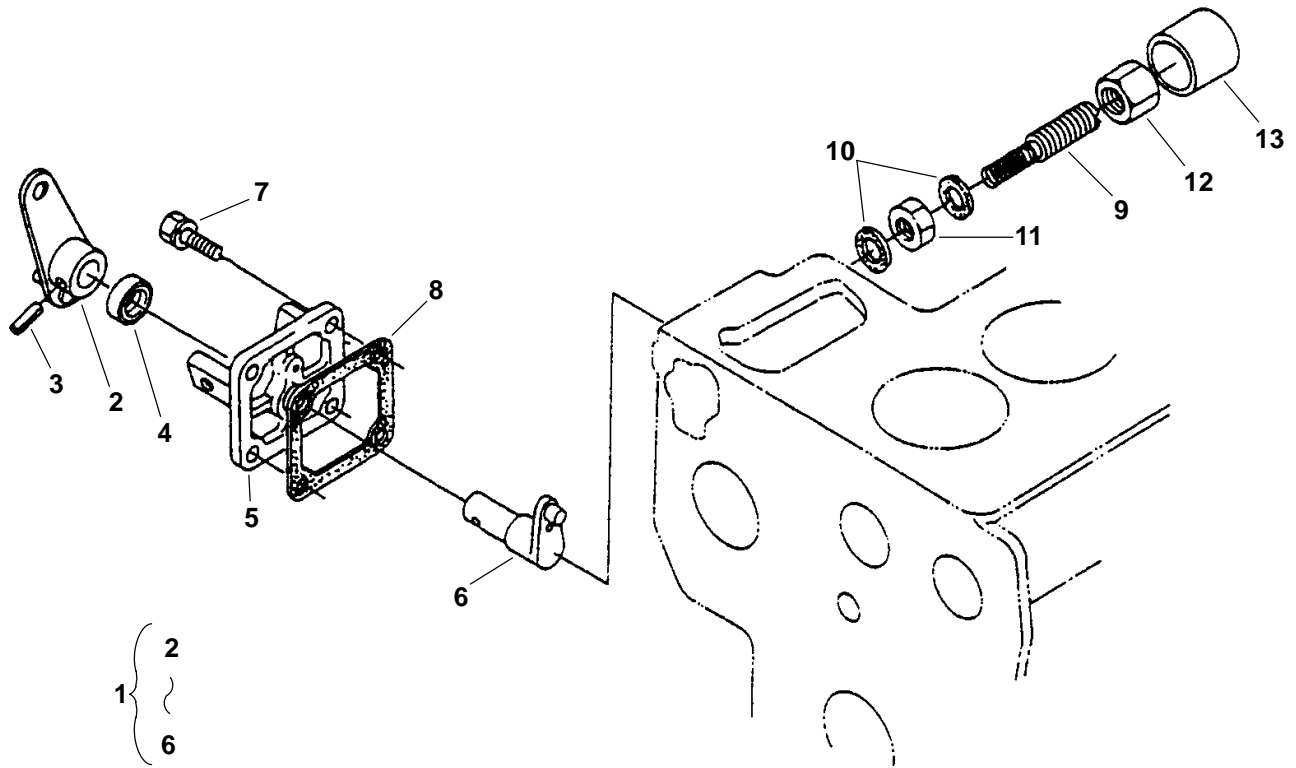
Governor



REF NO.	PART NO.	QTY USED	PART DESCRIPTION	REF NO.	PART NO.	QTY USED	PART DESCRIPTION
1	150-2801	1	Lever, Governor	10	800-6306	1	*Bolt
2	150-2804	1	Lever Assy, Fork (Includes Parts Marked *)	11	185-6781	2	Bolt
3	506-0006	1	Spring, Governor	12	185-2392	1	Bolt
4	150-2802	1	*Lever Assy, Fork (Includes Pin)	13	740-1006	2	Washer, Plain
5	150-2805	1	*Shaft, Fork Level	14	185-6786	1	Washer, Plain
6	185-6163	1	*Bolt	15	506-0005	1	Spring, Start
7	800-6305	1	*Bolt, Flange				
8	850-2083	2	*Washer, Spring				
9	150-2803	1	*Holder, Fork Lever				

* - Parts Included in Fork Lever Assy.

Engine Stop Lever MDKBP, MDKBR

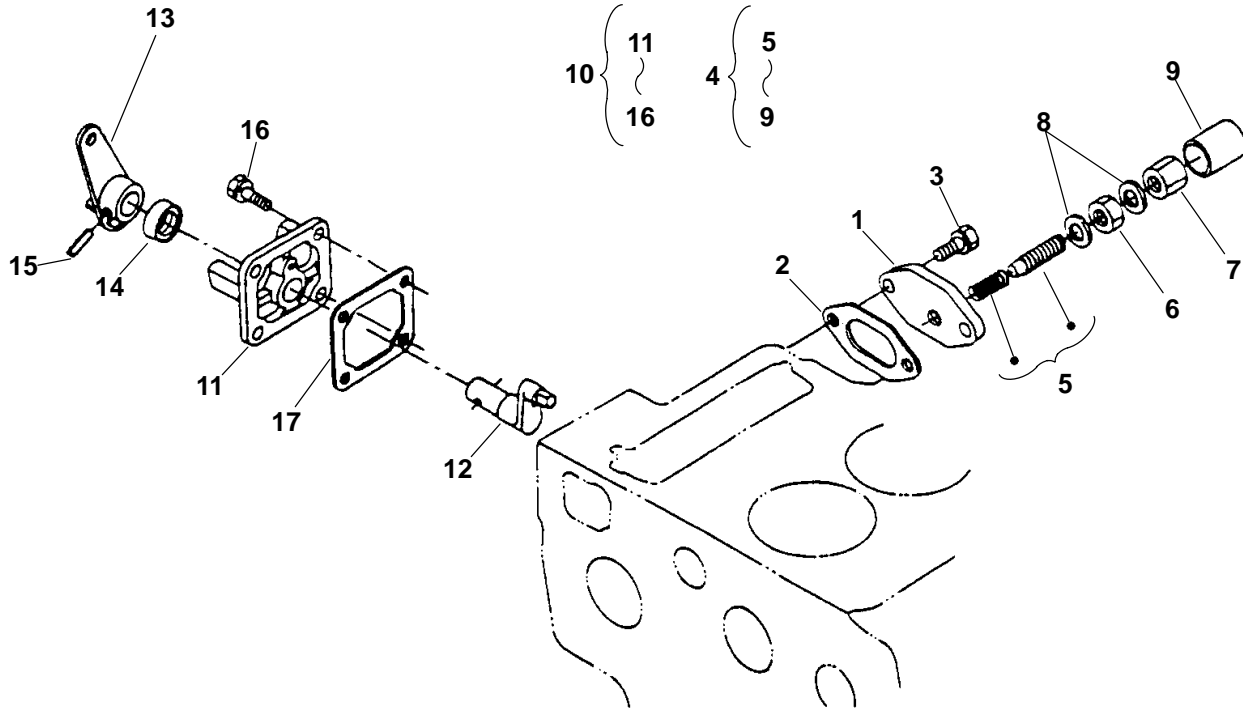


REF NO.	PART NO.	QTY USED	PART DESCRIPTION
1	185-6726	1	Lever Assy, Engine Stop (Includes Parts Marked #)
2	185-6775	1	#Lever, Engine Stop
3	185-2351	1	#Pin, Spring
4	185-2461	1	#Seal, Oil
5	185-6134	1	#Cover, Injection Pump
6	185-6135	1	#Shaft, Lever
7	185-2389	4	Bolt
8	185-5974	1	Gasket, Injection Pump Cover

REF NO.	PART NO.	QTY USED	PART DESCRIPTION
9	185-6774	1	Bolt, Adjusting
10	185-2338	2	Gasket
11	185-5969	1	Nut
12	185-5970	1	Nut, Cap
13	185-5971	1	Cap

- Parts Included in Engine Stop Lever Assy

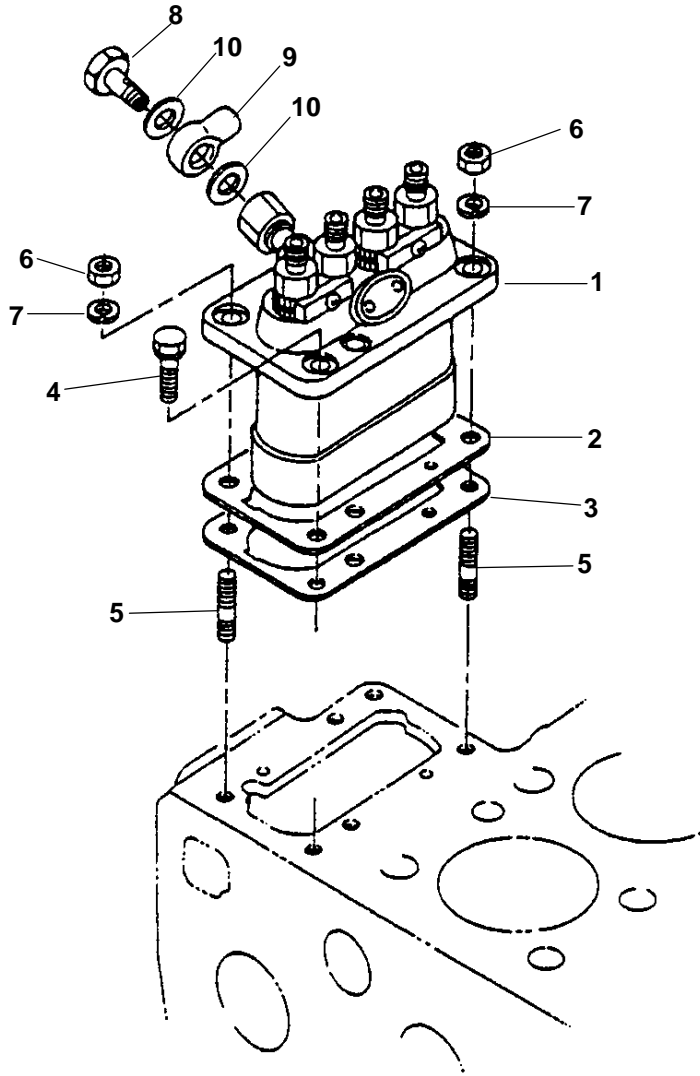
Engine Stop Lever MDKBS



REF NO.	PART NO.	QTY USED	PART DESCRIPTION	REF NO.	PART NO.	QTY USED	PART DESCRIPTION
1	185-6213	1	Cover	11	185-6134	1	#Cover, Injection Pump
2	185-7041	1	Gasket	12	185-6135	1	#Shaft, Lever
3	185-2388	2	Bolt	13	185-6775	1	#Lever, Engine Stop
4	185-7042	1	Bolt Assy, Adjusting – Governor Adjust (Includes Parts Marked *)	14	185-2461	1	#Seal, Oil
5	185-6774	1	*Bolt, Adjusting	15	185-2351	1	#Pin, Spring
6	185-5969	1	*Nut	16	185-2389	4	#Bolt
7	185-5970	1	*Nut, Cap	17	185-6985	1	Gasket
8	185-2338	2	*Gasket				
9	185-5971	1	*Cap				
10	185-6726	1	Lever Assy, Engine Stop (Includes Parts Marked #)				

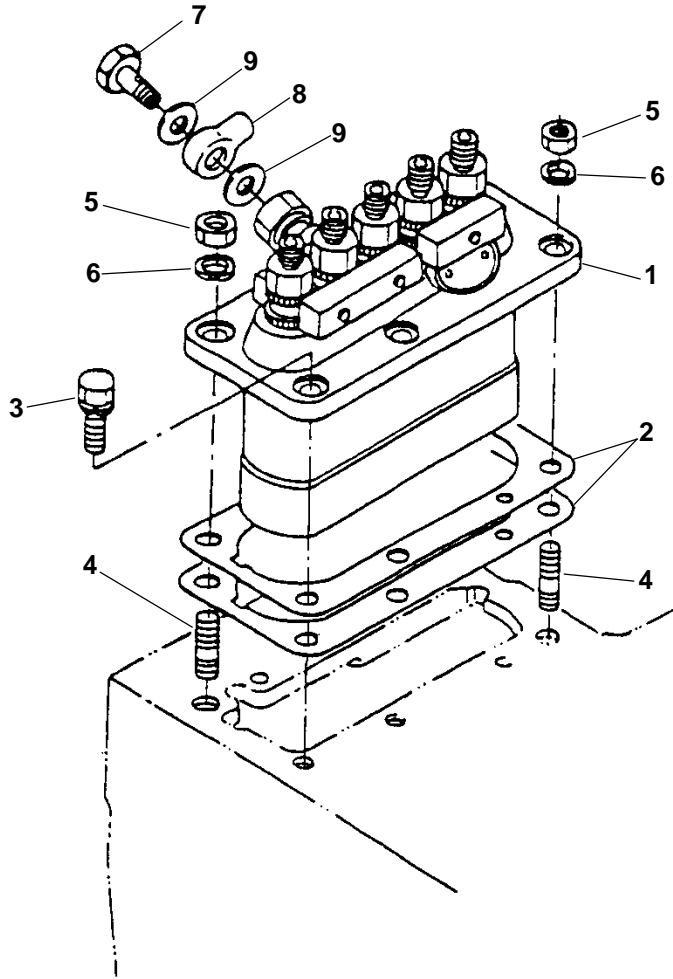
* – Parts Included in Adjusting Bolt Assy.
– Parts Included in Engine Stop Lever Assy.

Injection Pump MDKBP, MDKBR



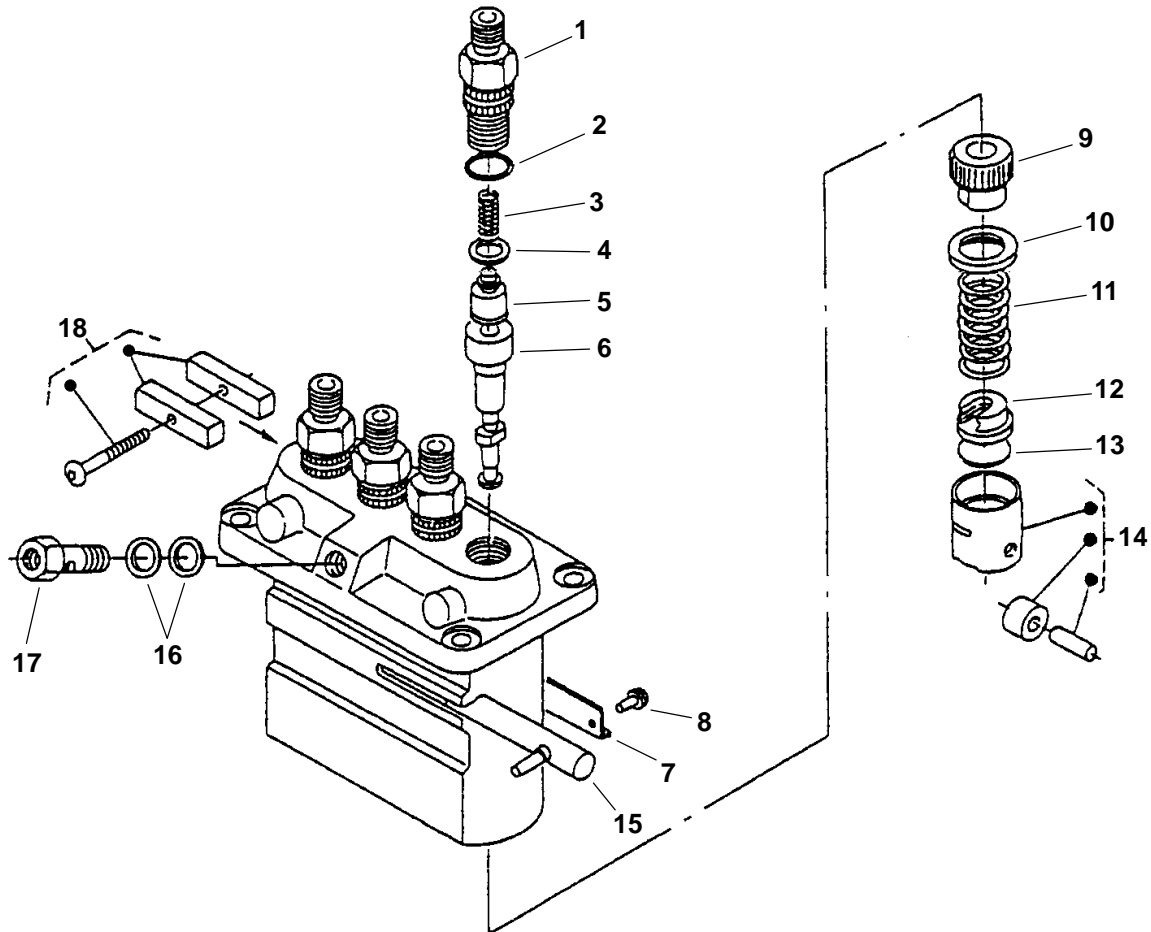
REF NO.	PART NO.	QTY USED	PART DESCRIPTION	REF NO.	PART NO.	QTY USED	PART DESCRIPTION
1	185-7442	1	Pump Assy, Injection (See Separate Page for Components)	4	185-2402	4	Bolt
2			Shim	5	185-2106	2	Stud
	185-5976	2	Standard	6	185-2367	2	Nut
	185-6756	2	.20mm	7	185-6957	2	Washer, Spring
	185-6757	2	.25mm	8	185-7045	1	Screw, Follow
3			Shim	9	185-6418	1	Joint, Eye
	185-5977	1	.45mm	10	185-2578	2	Gasket
	185-6758	1	.30mm				

Injection Pump MDKBS



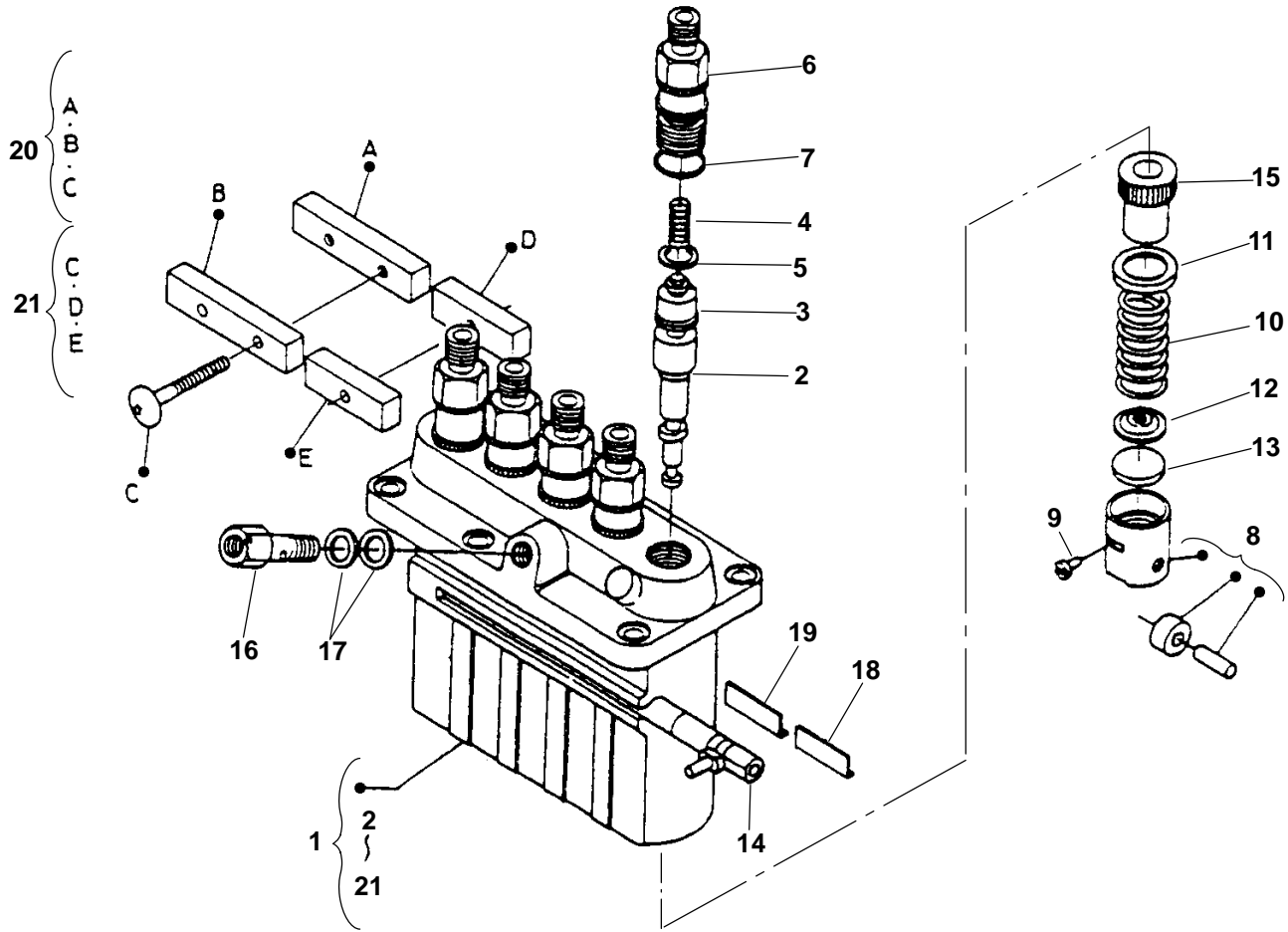
REF NO.	PART NO.	QTY USED	PART DESCRIPTION	REF NO.	PART NO.	QTY USED	PART DESCRIPTION
1	185-7443	1	Pump Assy, Injection (See Separate Page for Components)	3	185-2402	4	Bolt
2			Shim	4	185-2362	2	Stud
	185-6796	1	.20mm	5	185-2367	2	Nut
	185-6091	1	.25mm	6	185-6957	2	Washer, Spring
	185-6795	1	.30mm	7	185-7045	1	Screw, Follow
				8	185-6418	1	Joint
				9	185-2578	2	Gasket

Injection Pump Components MDKBP, MDKBR



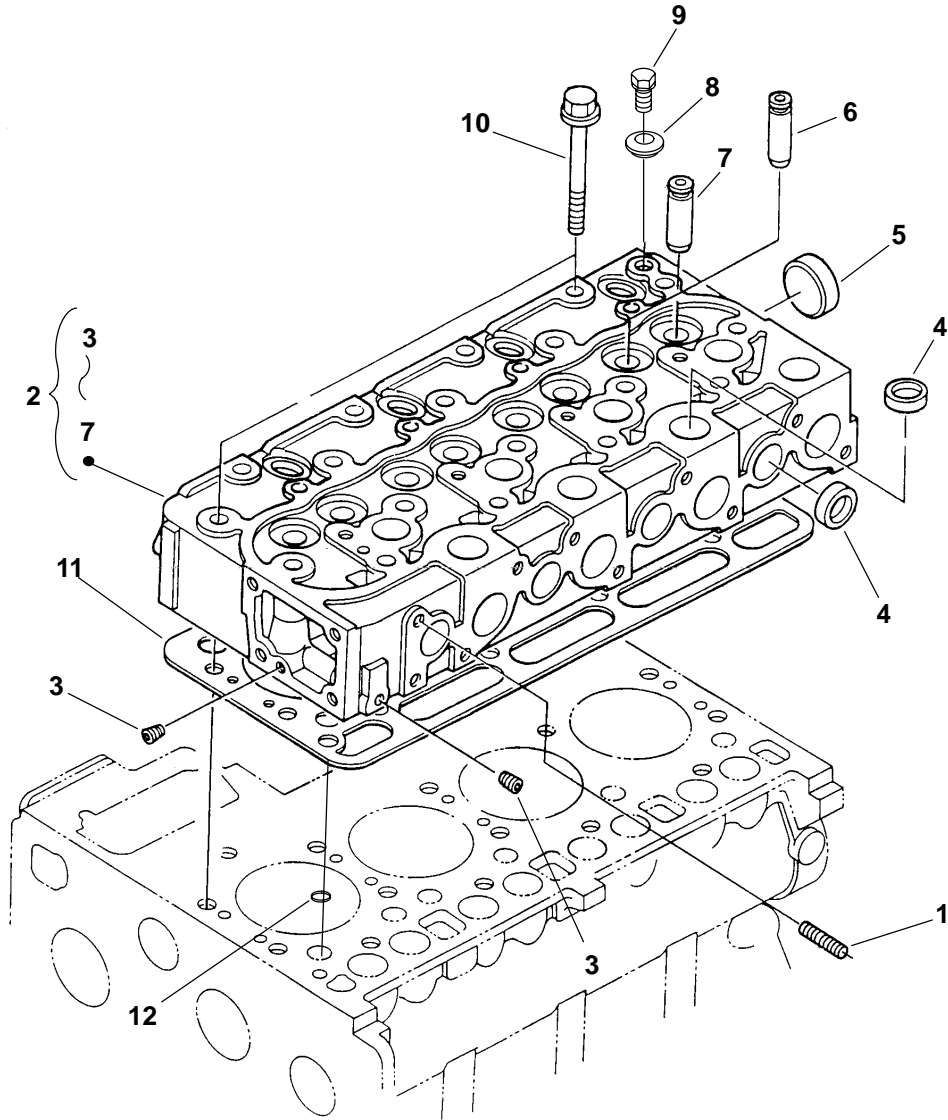
REF NO.	PART NO.	QTY USED	PART DESCRIPTION	REF NO.	PART NO.	QTY USED	PART DESCRIPTION
	185-7442	1	Pump Assy, Injection	10	185-6148	4	Seat, Upper Spring
1	185-6142	4	Holder, Delivery Valve	11	185-6147	4	Spring, Plunger
2	185-6155	4	O'Ring	12	185-6778	4	Seat, Lower Spring
3	185-6140	4	Spring, Delivery Valve	13	185-6151	4	Shim
4	185-6141	4	Gasket, Delivery Valve	14	185-6144	4	Tappet Assy
5	185-6139	4	Valve, Delivery	15	185-6150	1	Rack, Control
6	185-6138	4	Plunger, Pump	16	185-6154	2	Gasket
7	185-6146	2	Plate	17	185-6153	1	Screw, Hollow
8	185-6145	4	Pin, Tappet Guide	18	185-6143	2	Lock Assy, Plate
9	185-6152	4	Sleeve, Control				

Injection Pump Components MDKBS



REF NO.	PART NO.	QTY USED	PART DESCRIPTION	REF NO.	PART NO.	QTY USED	PART DESCRIPTION
1	185-7443	1	Pump Assy, Injection	12	185-6778	5	Seat, Lower Spring
2	185-6216	5	Plunger, Pump	13	185-6151	5	Shim
3	185-6217	5	Valve, Delivery	14	185-6219	1	Rack, Control
4	185-6218	5	Spring, Delivery Valve	15	185-6152	5	Sleeve, Control
5	185-6993	5	Gasket, Delivery Valve	16	185-6153	1	Screw, Hollow
6	185-6142	5	Holder, Delivery Valve	17	185-6154	2	Gasket
7	185-6155	5	O'Ring	18	185-6146	1	Plate
8	185-6144	5	Tappet Assy	19	185-6994	1	Plate
9	185-6145	5	Pin, Tappet Guide	20	185-6143	1	Plate Assy, Lock
10	185-6147	5	Spring, Plunger	21	185-6220	1	Plate Assy, Lock
11	185-6148	5	Seat, Upper Spring				

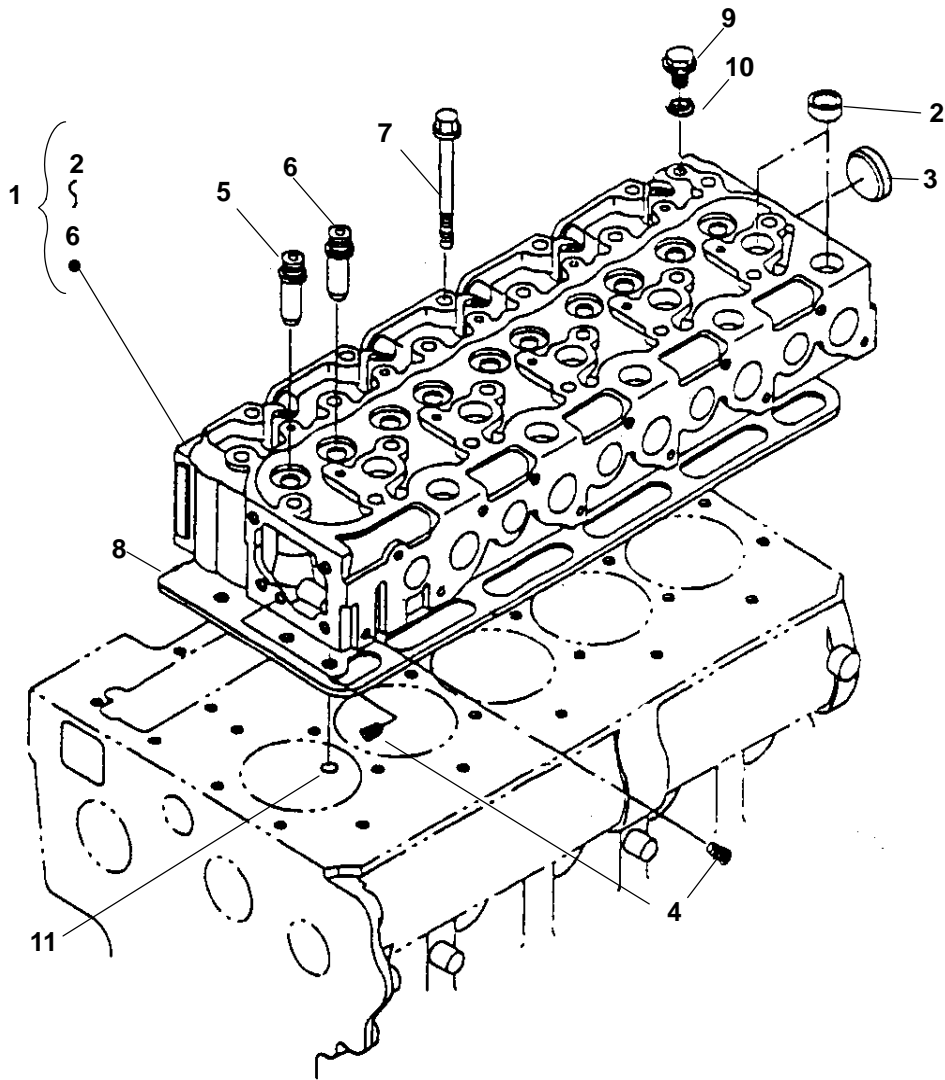
Cylinder Head MDKBP, MDKBR



REF NO.	PART NO.	QTY USED	PART DESCRIPTION	REF NO.	PART NO.	QTY USED	PART DESCRIPTION
1			Stud	7	185-5863	4	*Guide, Exhaust Valve
	185-2106	1	MDKBP	8	185-5868	1	Washer (With Rubber)
	185-6048	1	MDKBR	9	185-5867	1	Plug
2			Head Assy, Cylinder (Includes Parts Marked *)	10	185-5865	18	Bolt, Cylinder Head
	185-6763	1	MDKBP	11			Gasket, Cylinder Head
	185-5860	1	MDKBR		185-6764	1	MDKBP
3	185-2188	2	*Plug		185-5866	1	MDKBR
4	185-5861	12	*Cap, Sealing	12	185-2095	1	O'Ring
5	185-2412	1	*Cap, Sealing				
6	185-5862	4	*Guide, Inlet Valve				

* - Parts Included in Cylinder Head Assy.

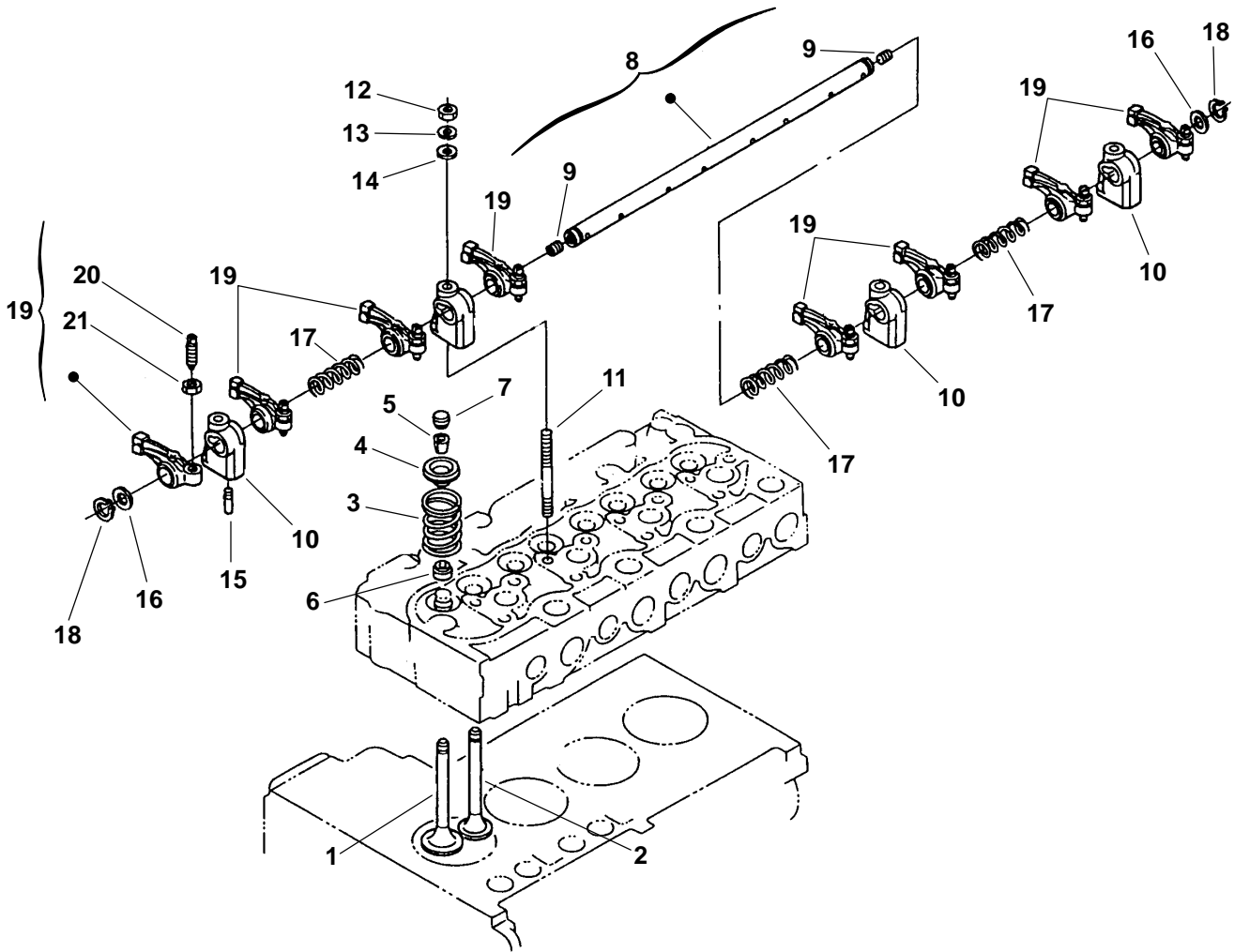
Cylinder Head MDKBS



REF NO.	PART NO.	QTY USED	PART DESCRIPTION	REF NO.	PART NO.	QTY USED	PART DESCRIPTION
1	185-6049	1	Head Assy, Cylinder (Includes Parts Marked #)	8	185-6050	1	Gasket, Cylinder Head
2	185-5861	15	#Cap, Sealing	9	185-5867	1	Plug
3	185-2412	1	#Cap, Sealing	10	185-5868	1	Washer (with Rubber)
4	185-2188	2	#Plug	11	185-2095	1	O'Ring
5	185-5862	5	#Guide, Inlet Valve				
6	185-5863	5	#Guide, Exhaust Valve				
7	185-5865	22	Bolt, Cylinder Head				

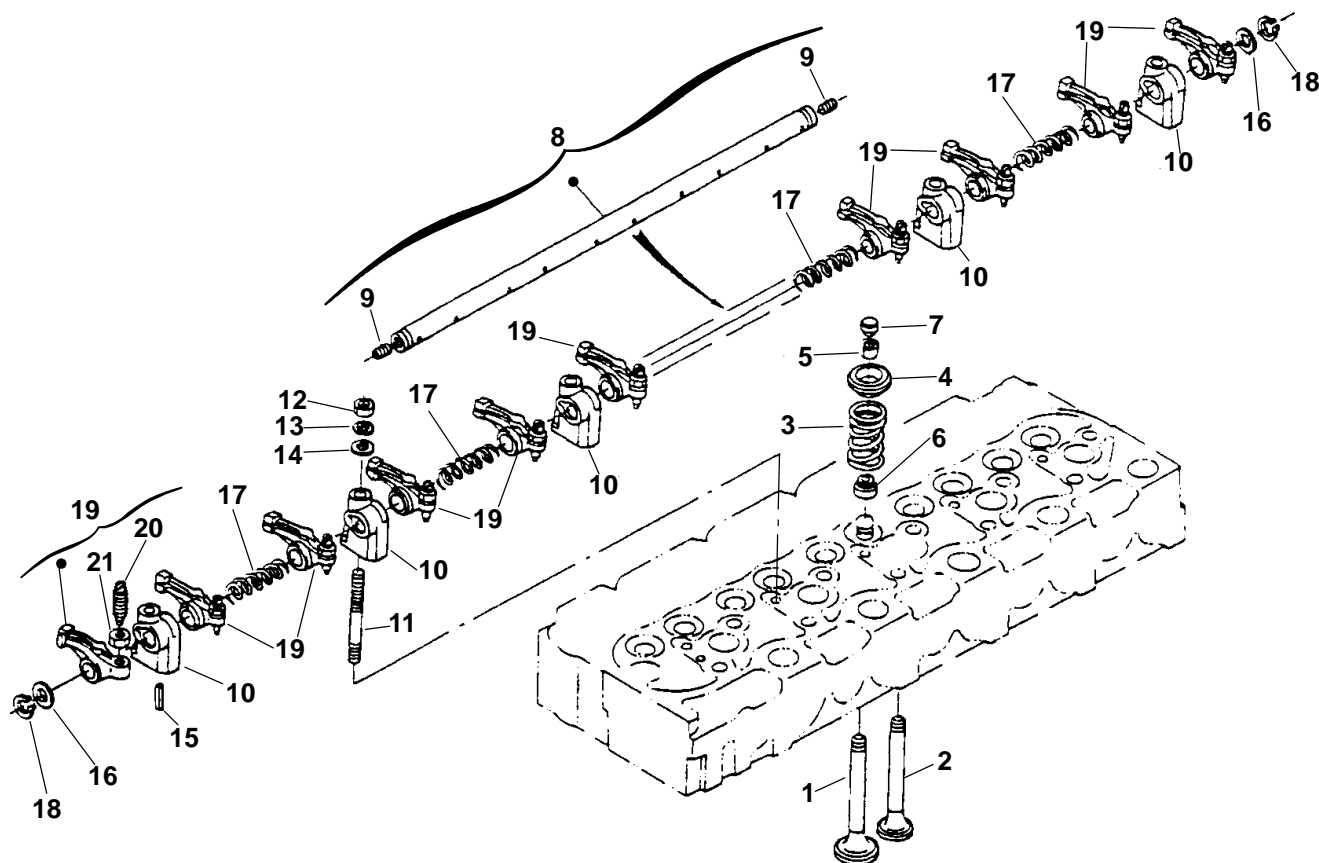
- Parts Included in Cylinder Head Assy.

Rocker Arm MDKBP, MDKBR



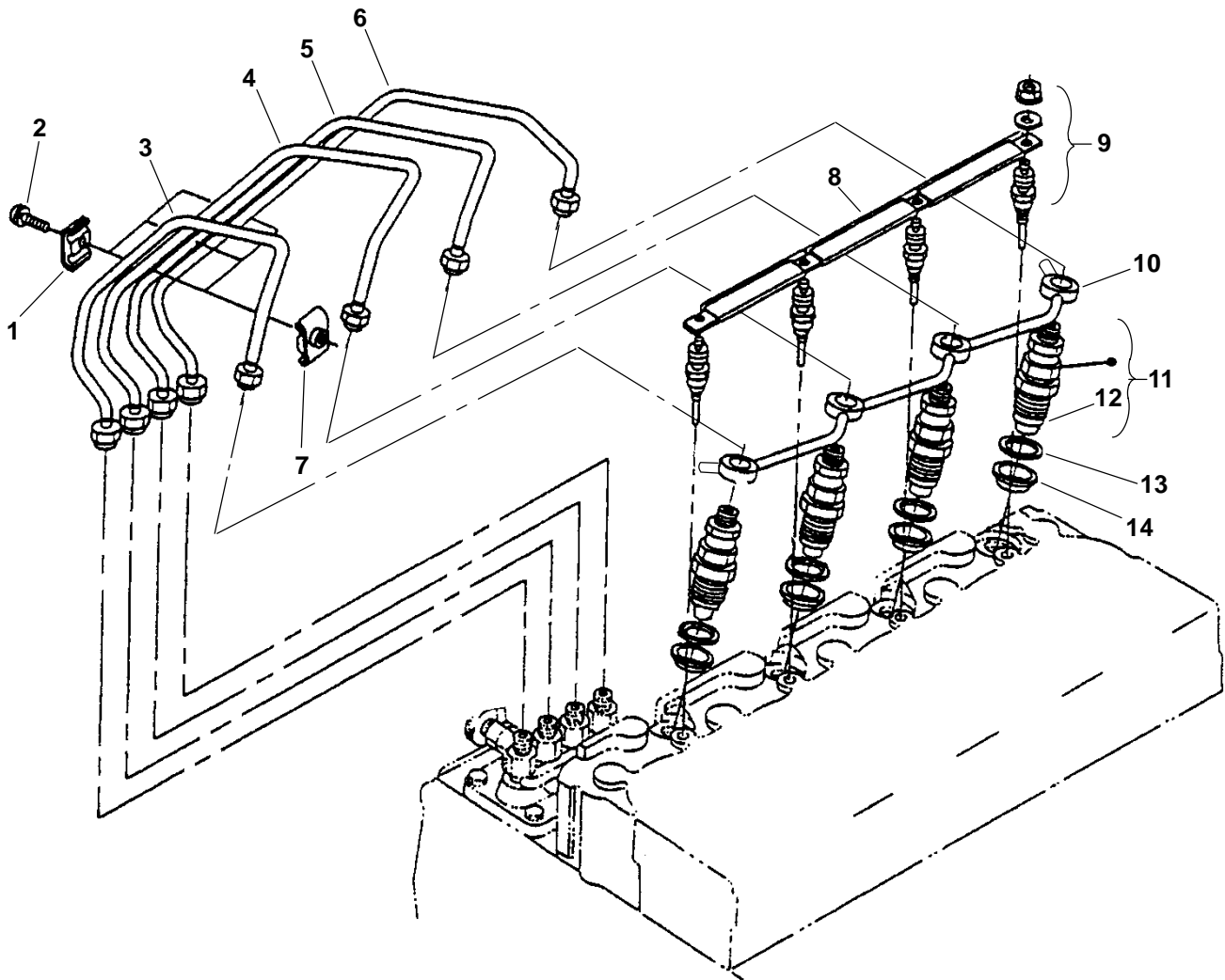
REF NO.	PART NO.	QTY USED	PART DESCRIPTION	REF NO.	PART NO.	QTY USED	PART DESCRIPTION
1	185-6107	4	Valve, Inlet	12	185-2367	4	Nut
2	185-6108	4	Valve, Exhaust	13	185-6957	4	Washer, Spring
3	185-6016	8	Spring, Valve	14	740-1006	4	Washer, Flat
4	185-6017	8	Retainer, Valve Spring	15	185-6789	1	Pin, Spring
5	110-3584	8	Collet, Valve Spring	16	185-6025	2	Washer, Rocker Arm Shaft
6	185-6018	8	Seal, Valve Stem	17	185-6026	3	Spring, Rocker Arm
7	185-6019	8	Cap, Valve	18	185-6027	2	Ring, External Retaining
8	185-6020	1	Shaft Assy, Rocker Arm (Includes Set Screws)	19	185-6028	8	Arm Assy, Rocker (Includes Screw and Nut)
9	185-6242	2	Screw, Set	20	185-6029	8	Screw, Adjusting
10	185-6022	4	Bracket, Rocker Arm	21	185-6030	8	Nut
11	185-6023	4	Stud				

Rocker Arm MDKBS



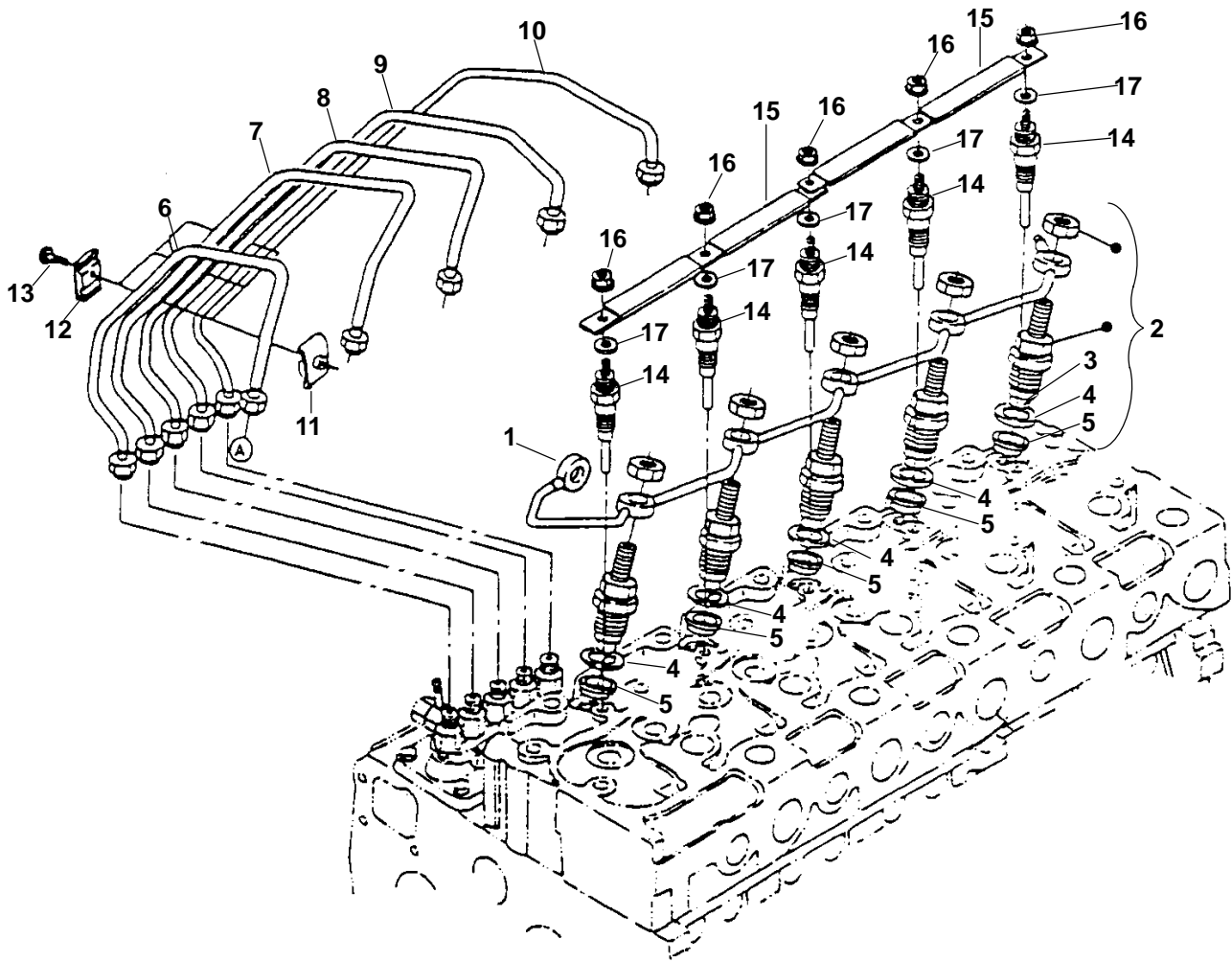
REF NO.	PART NO.	QTY USED	PART DESCRIPTION	REF NO.	PART NO.	QTY USED	PART DESCRIPTION
1	185-6107	5	Valve, Inlet	12	185-2367	5	Nut
2	185-6108	5	Valve, Exhaust	13	185-6957	5	Washer, Spring
3	185-6016	10	Spring, Valve	14	740-1006	5	Washer, Flat
4	185-6017	10	Retainer, Valve Spring	15	185-6789	1	Pin, Spring
5	110-2752	10	Collet, Valve Spring	16	185-6025	2	Washer
6	185-6018	10	Seal, Valve Stem	17	185-6026	4	Spring, Rocker Arm
7	185-6019	10	Cap, Valve	18	185-6027	2	Ring, External Retaining
8	185-7063	1	Shaft Assy, Rocker Arm (Includes Set Screws)	19	185-6028	10	Arm Assy, Rocker (Includes Screw and Nut)
9	185-6242	2	Screw, Set	20	185-6029	10	Screw, Adjusting
10	185-6022	5	Bracket, Rocker Arm	21	185-6030	10	Nut
11	185-6023	5	Stud				

Nozzle Holder MDKBP, MDKBR



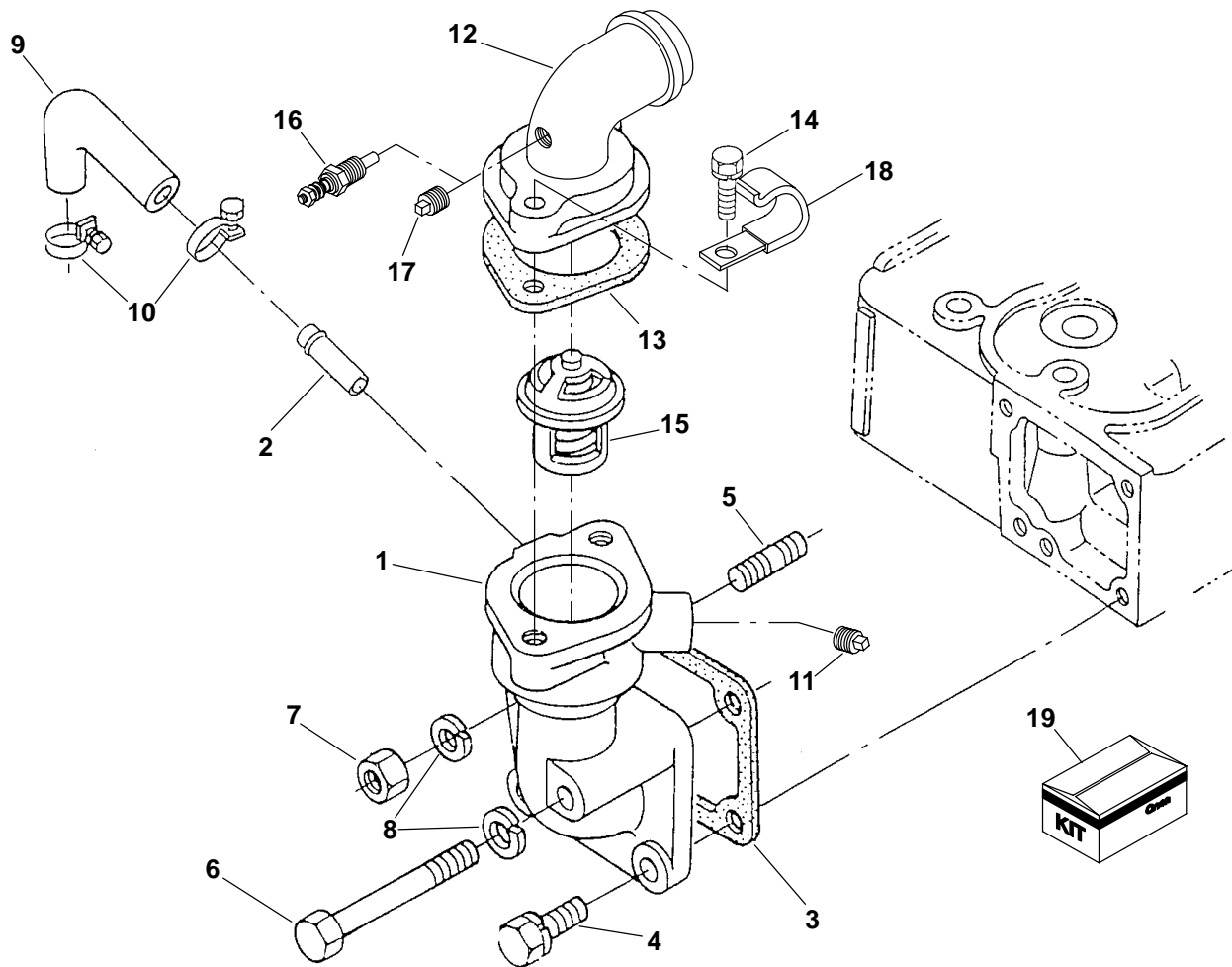
REF NO.	PART NO.	QTY USED	PART DESCRIPTION	REF NO.	PART NO.	QTY USED	PART DESCRIPTION
1	185-2345	3	Clamp, Pipe	10	185-6731	1	Pipe, Overflow
2	185-2385	3	Screw (With Washer)	11	185-6094	4	Holder Assy, Nozzle (Includes Nozzle)
3	185-5986	1	Pipe, Injection	12	185-6095	4	Nozzle
4	185-5987	1	Pipe, Injection	13	185-5337	4	Gasket, Nozzle
5	185-5988	1	Pipe, Injection	14	185-5985	4	Seal, Heat
6	185-5989	1	Pipe, Injection				
7	185-5612	3	Clamp, Pipe				
8	185-5991	1	Cord, Glow Plug				
9			Assy, Glow Plug (Includes Nut and Washer)				
	185-5990	4	12V				
	185-6725	4	24V				

Nozzle Holder and Glow Plug MDKBS



REF NO.	PART NO.	QTY USED	PART DESCRIPTION	REF NO.	PART NO.	QTY USED	PART DESCRIPTION
1	185-7050	1	Pipe, Overflow	11	185-5612	5	Clamp, Pipe
2	185-6094	5	Holder Assy, Nozzle (Includes Nozzle, Gasket and Heat Seal	12	185-2345	5	Clamp, Pipe
3	185-6095	5	Nozzle	13	185-2385	5	Screw (With Washer)
4	185-5337	5	Gasket	14			Plug, Glow
5	185-5985	5	Seal, Heat		185-5990	5	12V
6	185-6096	1	Pipe, Injection		185-6725	5	24V
7	185-6097	1	Pipe, Injection	15	185-6225	2	Cord, Glow Plug
8	185-6098	1	Pipe, Injection	16	185-5615	5	Nut, Flange
9	185-6099	1	Pipe, Injection	17	185-7004	5	Washer, Flat
10	185-6100	1	Pipe, Injection				

Water Outlet Flange

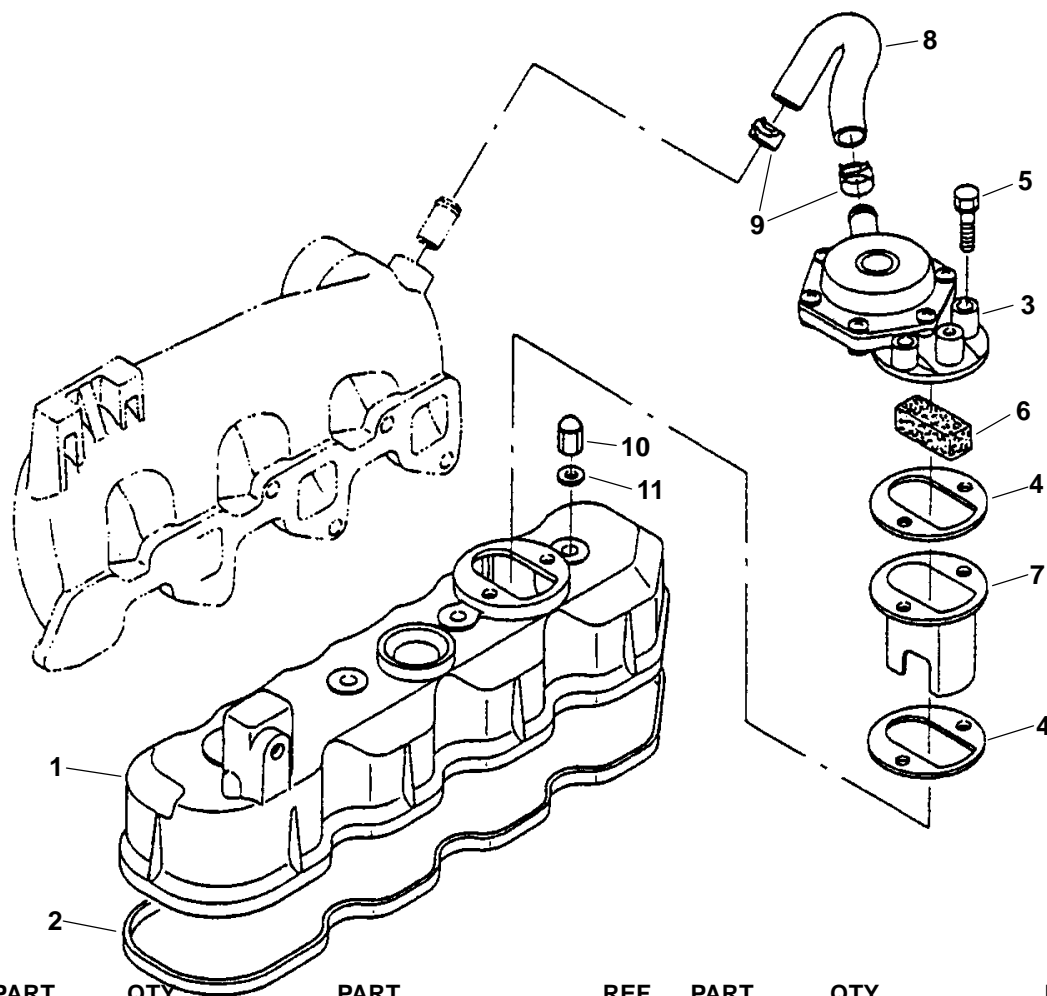


REF NO.	PART NO.	QTY USED	PART DESCRIPTION	REF NO.	PART NO.	QTY USED	PART DESCRIPTION
1	185-6788	1	Flange, Water Outlet (Includes Pipe)	15	185-6005	1	Thermostat
2	185-6103	1	Pipe, Water Return	16			+ Sender, Water Temperature (E2)
3	185-5999	1	Gasket		193-0318	1	Negative Ground
4	185-2402	2	Bolt		193-0457-01	1	Isolated Ground
5	185-2362	1	Stud	17	505-0110	1	Plug, Square Head Pipe (3/8")
6			Bolt				MDKBP, MDKBR
	185-5443	1	MDKBP, MDKBR	18	518-0515	1	Clip, Wire (MDKBS)
	185-7060	1	MDKBS	19			*Kit, Sender (Includes Water Temperature Sender)
7	185-2367	1	Nut				
8	185-6957	2	Washer, Spring		300-5040	1	Negative Ground
9	185-6000	1	Pipe, Water Return		300-5041	1	Isolated Ground
10	185-6001	2	Band, Pipe				
11	185-5826	1	Plug				
12	185-6003	1	Cover, Thermostat				
13	185-6004	1	Gasket, Thermostat Cover				
14			Bolt				
	185-2365	2	MDKBP, MDKBR				
	185-2565	2	MDKBS				

* - Kit Also Includes Oil Pressure Sender Listed on Oil Pan Page.

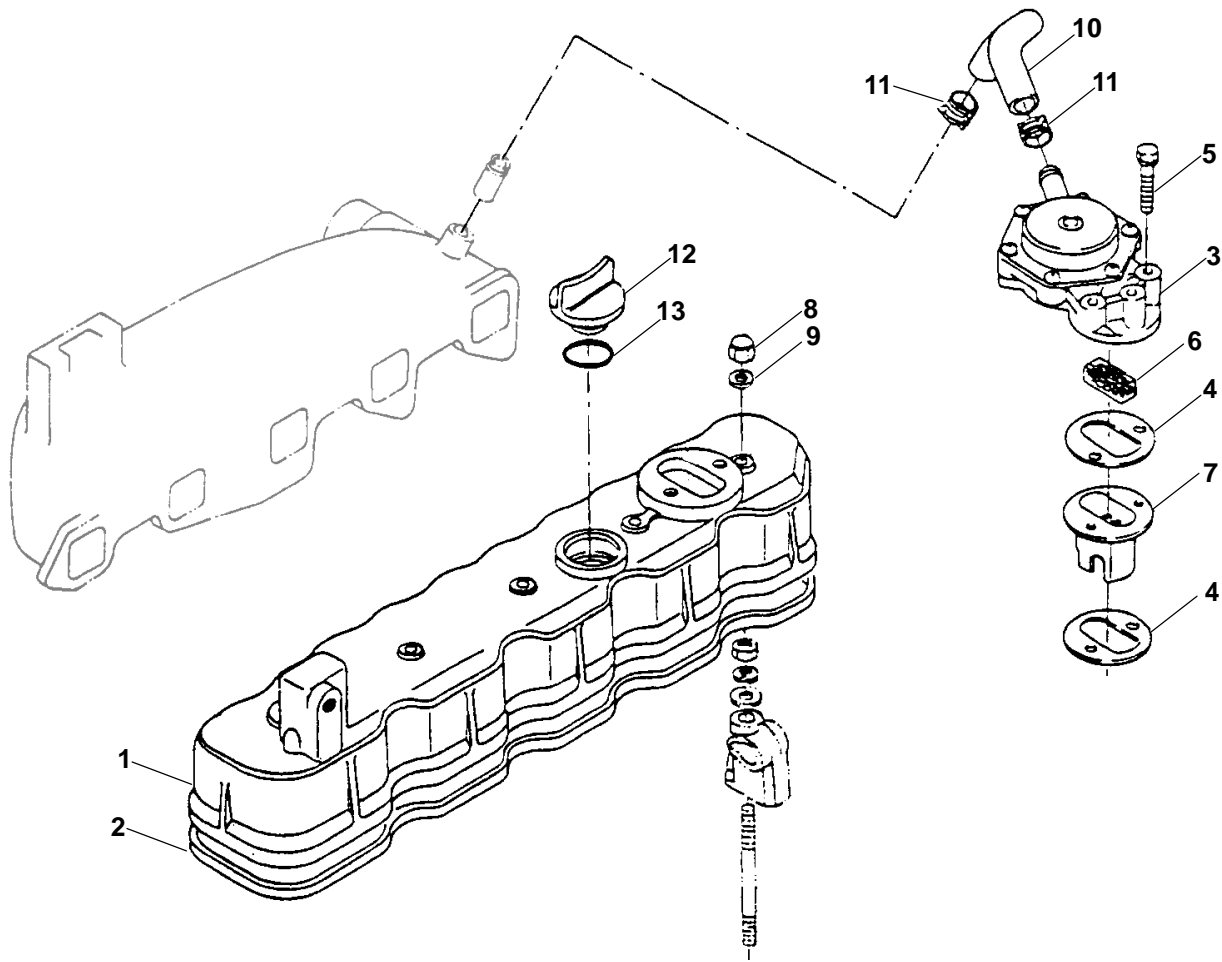
+ - Water Temperature Sender ties to E2-2 Iso Harness (See Isolated Ground 338-4200-01)

Cylinder Head Cover MDKBP, MDKBR



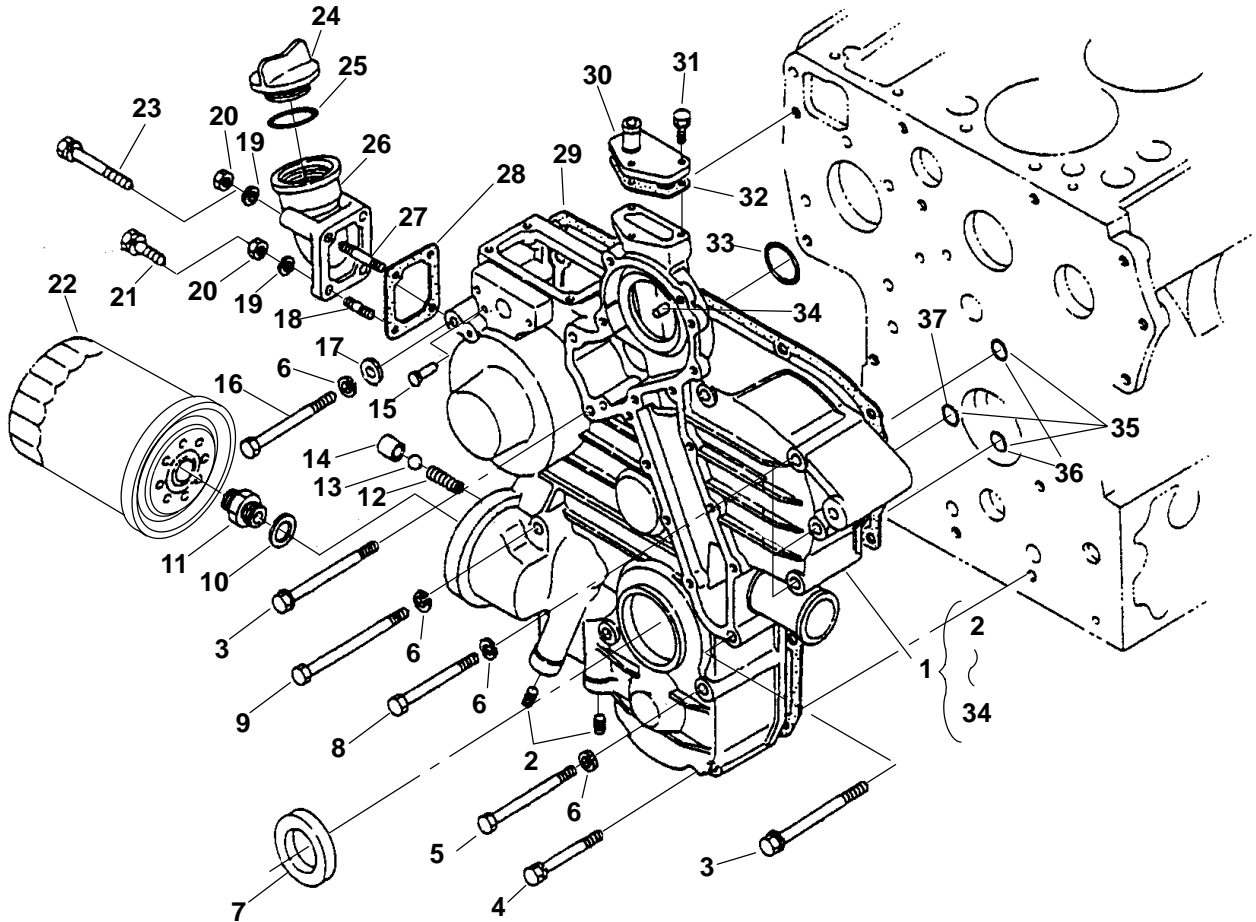
REF NO.	PART NO.	QTY USED	PART DESCRIPTION	REF NO.	PART NO.	QTY USED	PART DESCRIPTION
1	185-6716	1	Cover, Cylinder Head	7	185-6718	1	Plate
2	185-5887	1	Gasket, Cover	8	185-6719	1	Tube, Breather
3	185-6720	1	Breather	9	185-6722	2	Clamp, Hose
4	185-6717	2	Gasket, Breather	10	185-5888	4	Nut, Cap
5	718-1040	2	Bolt	11	185-2338	4	Gasket
6	185-6721	1	Element, Breather				

Cylinder Head Cover MDKBS



REF NO.	PART NO.	QTY USED	PART DESCRIPTION	REF NO.	PART NO.	QTY USED	PART DESCRIPTION
1	185-6804	1	Cover, Cylinder Head	8	185-5888	5	Nut, Cap
2	185-6054	1	Gasket, Cover	9	185-2338	5	Gasket
3	185-6720	1	Breather	10	185-6719	1	Tube, Breather
4	185-6967	2	Gasket	11	185-6722	2	Clamp
5	718-1040	2	Bolt	12	185-5407	1	Cover, Oil Fill
6	185-6721	1	Element, Breather	13	185-2349	1	O'Ring
7	185-6718	1	Plate				

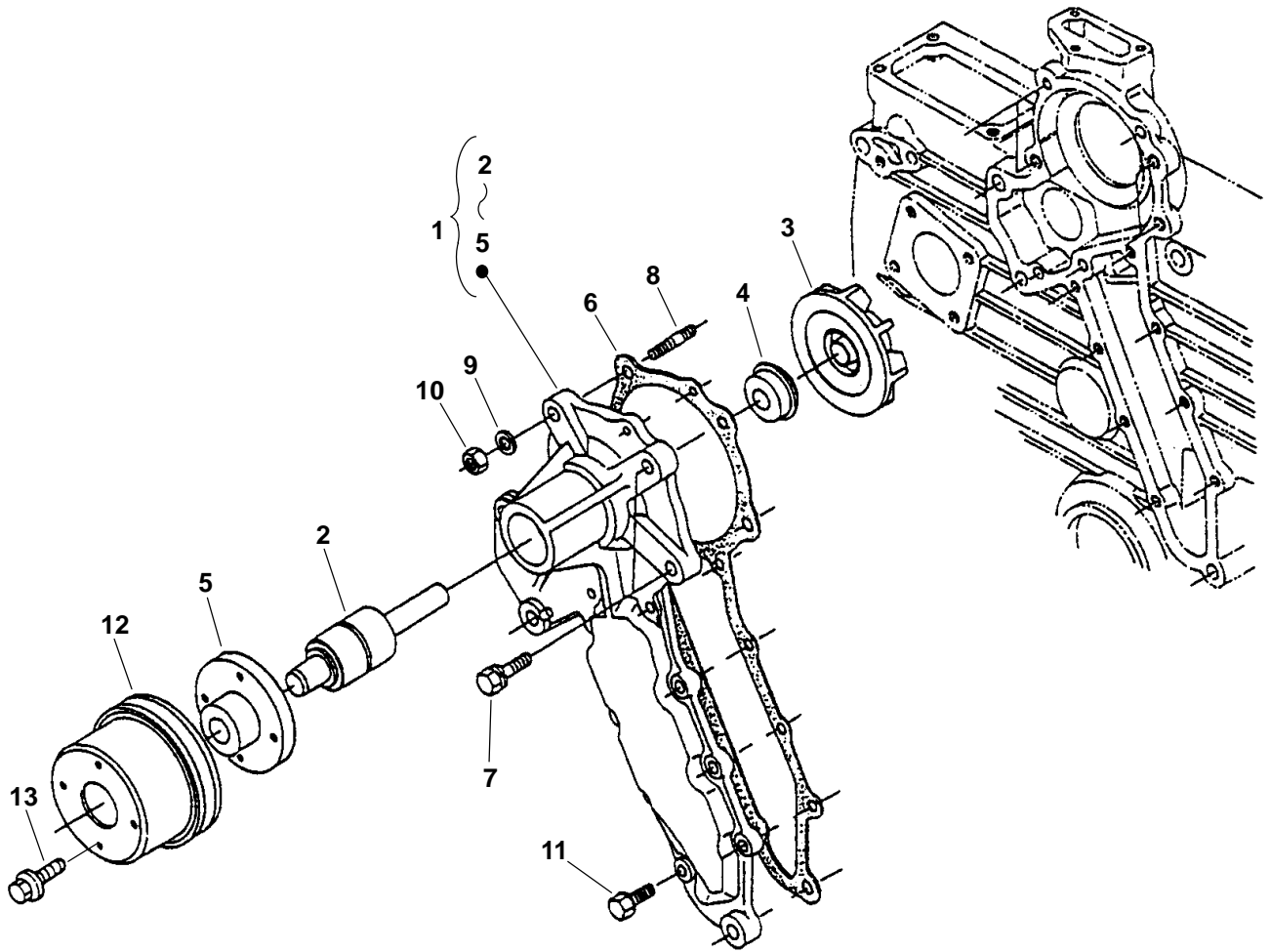
Gearcase



REF NO.	PART NO.	QTY USED	PART DESCRIPTION	REF NO.	PART NO.	QTY USED	PART DESCRIPTION
1			Gearcase Assy (Includes Parts Marked *)	20	185-4255	4	Nut (MDKBP, MDKBR)
	185-6765	1	MDKBP, MDKBR	21	185-2389	2	Bolt (Bottom)(MDKBS)
	185-6712	1	MDKBS	22	122-0810	1	Filter, Oil
2	185-5505	2	*Plug	23	185-5833	2	Bolt (Top)(MDKBS)
3	185-5874	3	Bolt	24	185-5407	1	Plug, Oil Fill
4	185-2405	2	Bolt	25	185-2349	1	O'Ring
5	185-5873	2	Bolt	26	185-6124	1	Flange, Oil Fill
6	185-6957	10	Washer, Spring	27	185-6126	2	Stud (Top)(MDKBP, MDKBR)
7	185-6204	1	Seal, Oil (MDKBS)	28	185-6125	1	Gasket
8	185-5443	5	Bolt	29	185-6960	1	Gasket
9	185-6078	2	Bolt	30	185-5879	1	Flange, Water Return
10	185-5876	1	Washer, Flat	31	185-2390	3	Bolt
11	185-5875	1	Joint, Pipe	32	185-5880	1	Gasket
12	185-5877	1	Spring	33	185-5870	1	*O'Ring
13	185-6711	1	Ball	34	185-5843	2	*Pin, Straight
14	185-5878	1	Seat, Valve	35	185-5869	3	*O'Ring (MDKBP, MDKBR)
15	185-6197	1	*Pin, Start Spring	36	185-5869	2	*O'Ring (MDKBS)
16	185-5872	1	Bolt	37	185-5126	1	*O'Ring (MDKBS)
17	740-1006	1	Washer, Flat				
18	185-6127	2	Stud (Bottom)(MDKBP, MDKBR)				
19	185-6759	4	Washer, Spring(MDKBP, MDKBR)				

* - Parts Included in Gearcase Assy

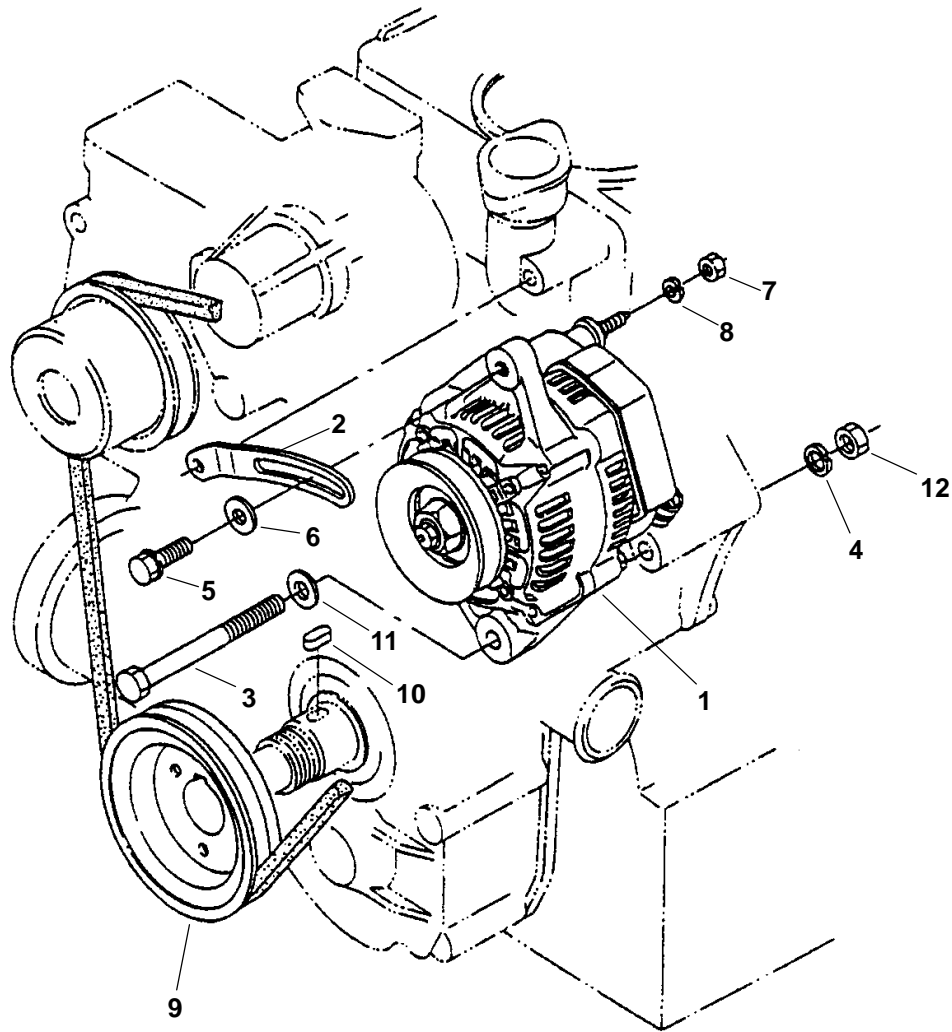
Water Pump



REF NO.	PART NO.	QTY USED	PART DESCRIPTION	REF NO.	PART NO.	QTY USED	PART DESCRIPTION
1			Pump Assy, Water (Includes Parts Marked *)	9	185-6957	2	Washer, Spring
	185-6006	1	MDKBP, MDKBR	10	185-2367	2	Nut
	185-7061	1	MDKBS	11	185-2389	8	Bolt
2	185-6007	1	*Bearing, Ball	12			Pulley
3	185-7020	1	*Impeller		185-6013	1	MDKBP, MDKBR
4	185-7021	1	*Seal		185-6710	1	MDKBS
5			*Flange	13	185-7062	4	Bolt, Flange
	185-6010	1	MDKBP, MDKBR				
	185-6821	1	MDKBS				
6	185-6011	1	Gasket				
7	185-2404	2	Bolt				
8			Stud				
	185-6012	2	MDKBP, MDKBR				
	185-6012	2	MDKBS				

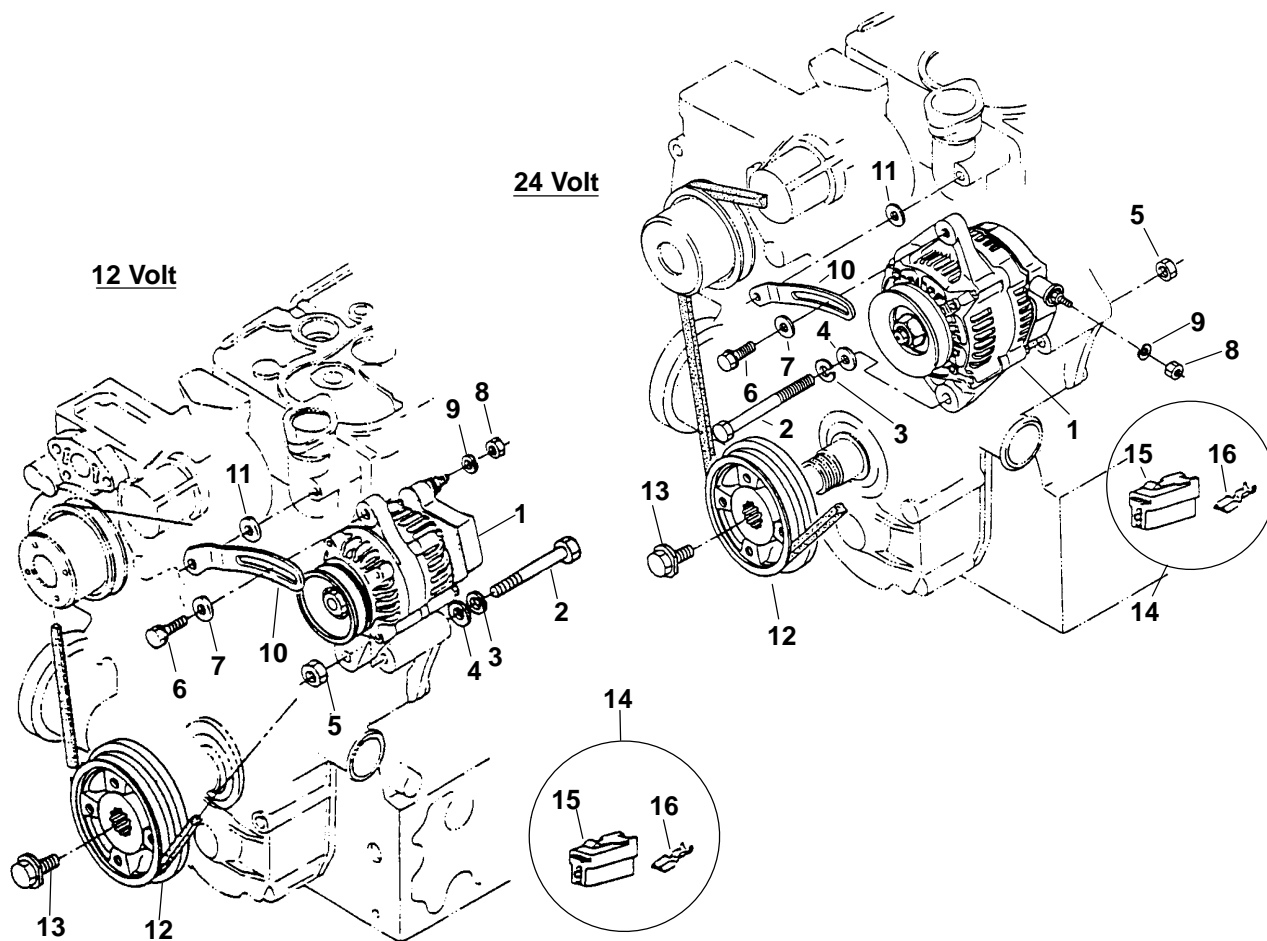
* - Parts Included in Water Pump Assy

Alternator MDKBP, MDKBR (Negative Ground)



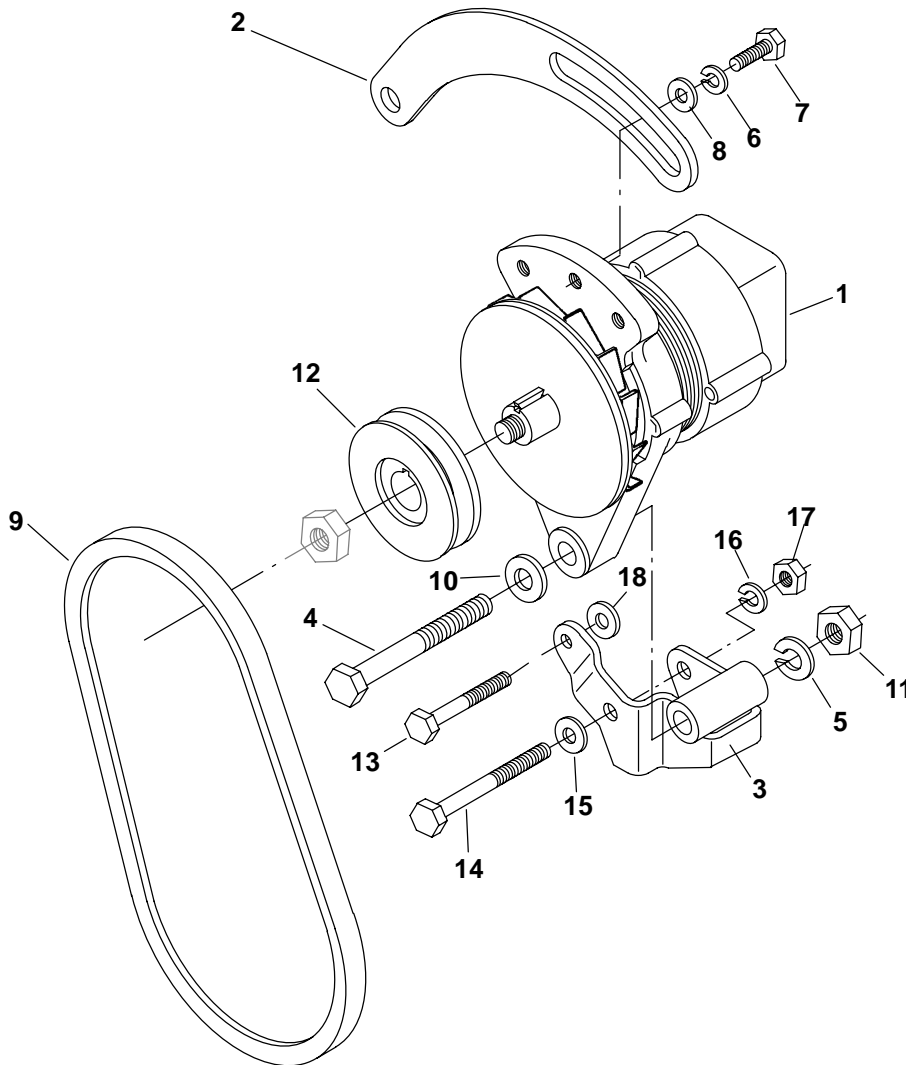
REF NO.	PART NO.	QTY USED	PART DESCRIPTION	REF NO.	PART NO.	QTY USED	PART DESCRIPTION
1			Alternator, Complete (See Separate Page for Components)	4	185-6785	1	Washer, Spring
	185-5994	1	12V	5	185-2564	1	Bolt
	185-6724	1	24V	6	185-6786	1	Washer, Flat
2			Bracket, Adjusting	7	185-4255	1	Nut
	185-7012	1	12V	8	185-2380	1	Washer, Spring
	185-6733	1	24V	9	185-6730	1	Pulley, Fan Drive
3			Bolt	10	185-5905	1	Key
	185-6734	1	MDKBP	11	185-6630	1	Washer, Flat
	185-6183	1	MDKBR	12	185-5445	1	Nut

Alternator MDKBS (Negative Ground)



REF NO.	PART NO.	QTY USED	PART DESCRIPTION	REF NO.	PART NO.	QTY USED	PART DESCRIPTION
1			Alternator (See Separate Page for Components)	9	185-6759	1	Washer, Spring
	185-5994	1	12V	10	185-7012	1	12V
	185-6724	1	24V		185-6733	1	24V
2	185-7052	1	Bolt	11	185-6228	1	Collar
3	185-6785	1	Washer, Spring	12	185-7053	1	Pulley
4	185-6630	1	Washer, Flat	13	185-7054	1	Bolt
5	185-5445	1	Nut	14	185-5447	1	Coupler Assy
6	185-2564	1	Bolt	15	185-6440	1	Connector
7	185-6786	1	Washer, Flat	16	185-6347	1	Terminal
8	185-4255	1	Nut				

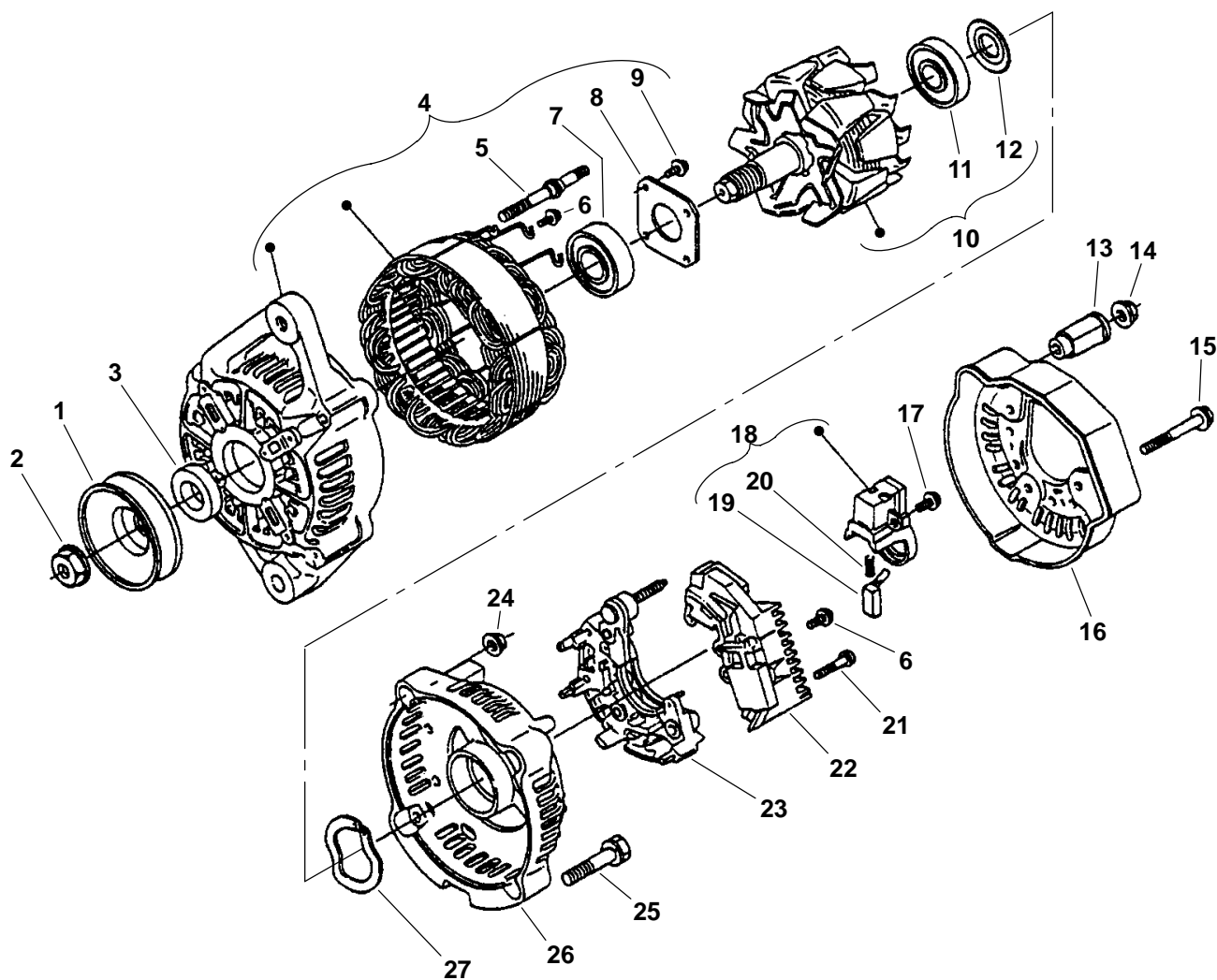
Alternator (Isolated Ground) (12V/24V)



REF NO.	PART NO.	QTY USED	PART DESCRIPTION	REF NO.	PART NO.	QTY USED	PART DESCRIPTION
1			Alternator, Complete (No Components Available)	12	191-2170	1	Pulley, Alternator
	191-2169-02	1	12V	13	800-2069	1	Screw, Hex Head Cap (M8 x 80mm) (MDKBP, MDKBR)
	191-2169-01	1	24V		800-2071		(M8 x 90mm)(MDKBS)
2	191-2168-03	1	Strap, Alternator	14	800-2100	1	Screw, Hex Head Cap (M10 x 100)
3	191-2167-03	1	Bracket, Alternator	15	526-2120	1	Washer, (M10)
4	800-0104	1	Screw, Hex Head Cap (1/2-13 x 4-1/2")	16	850-2010	1	Washer, Lock (M10)
5	850-0060	1	Washer, Lock (1/2")	17	850-2009	1	Nut, Hex (M10)
6	526-0045	1	Washer, Flat (5/16")	18	526-0313	1	Washer (MDKBS)
7	800-0027	1	Screw, Hex Head Cap (5/16-18 x 7/8")				
8	850-0045	1	Washer, Lock (5/16")				
9	511-0211	1	Belt				
10	526-0219	1	Washer, Flat (1/2")				
11	862-0016	1	Nut (1/2-13)				

* - Alternator ties to G2-GND, Iso Ground Harness (See Isolated Ground 338-4200-01)

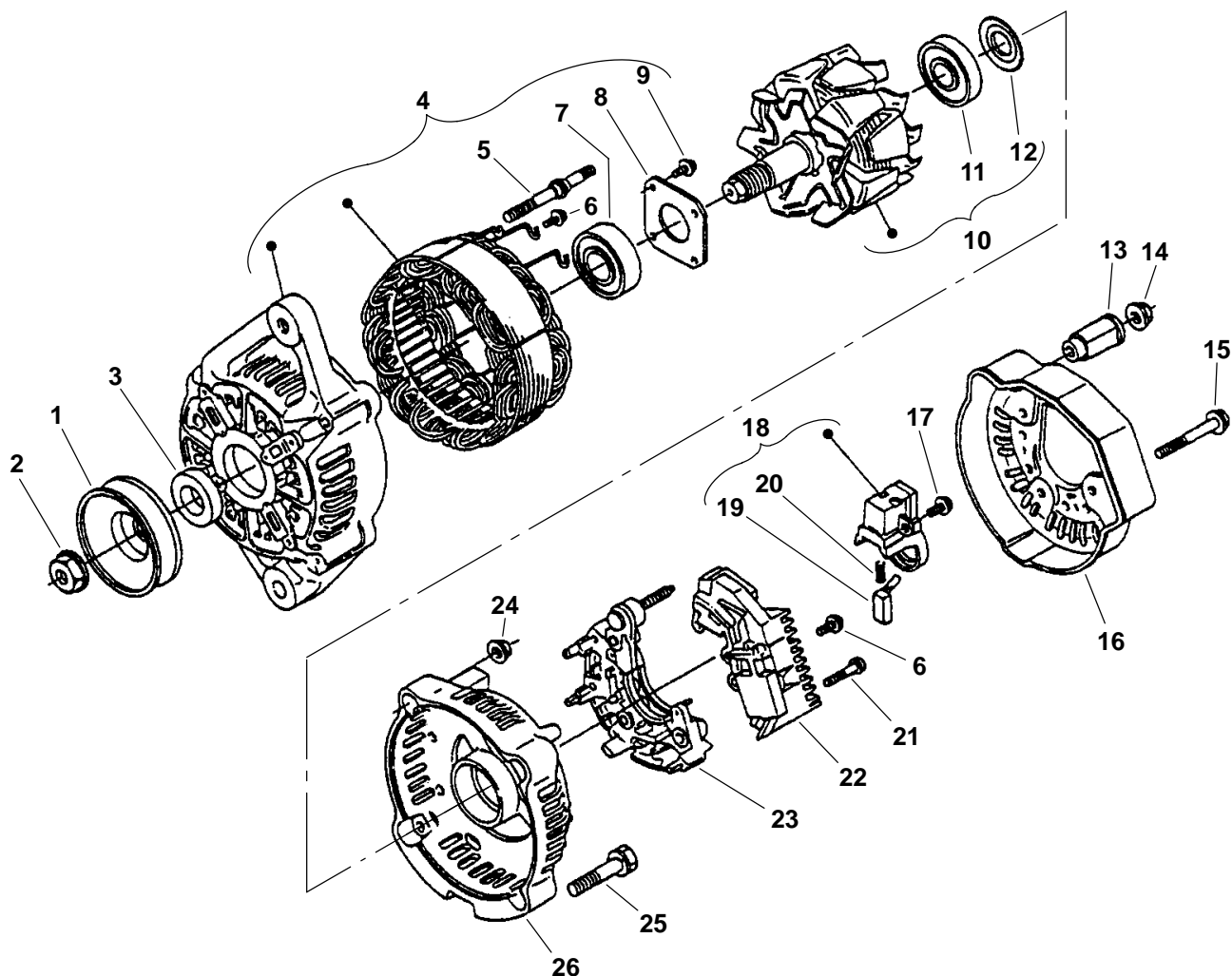
Alternator Components (Negative Ground) (12V)



REF NO.	PART NO.	QTY USED	PART DESCRIPTION	REF NO.	PART NO.	QTY USED	PART DESCRIPTION
	185-5994	1	Alternator (12V)	16	185-6189	1	Cover, End
1	185-6186	1	Pulley	17	185-5787	1	Screw, Round Head
2	185-5768	1	Nut	18	185-5782	1	Holder Assy, Brush (Includes Brushes and Springs)
3	185-5769	1	Collar	19	185-5783	2	Brush
4	185-5773	1	Frame, Drive End (Includes Parts Marked *)	20	185-5784	2	Spring, Brush
5	185-7056	2	*Bolt, Through	21	185-5785	2	Screw, Round Head
6	185-5786	6	Screw, Round Head	22	185-5791	1	Regulator
7	185-5777	1	*Bearing	23	185-6190	1	Rectifier
8	185-5774	1	*Plate, Retainer	24	185-5789	2	Nut
9	185-5775	4	*Screw, Round Head	25	185-5790	2	Bolt
10	185-5770	1	Rotor (Includes Bearing and Cover)	26	185-6188	1	Frame, End
11	185-5772	1	Bearing	27	185-6187	1	Washer, Thrust
12	185-5771	1	Cover, Bearing				
13	185-6191	1	Insulation, Brush				
14	185-2961	1	Nut				
15	185-5788	3	Bolt				

* - Parts Included in Drive End Frame

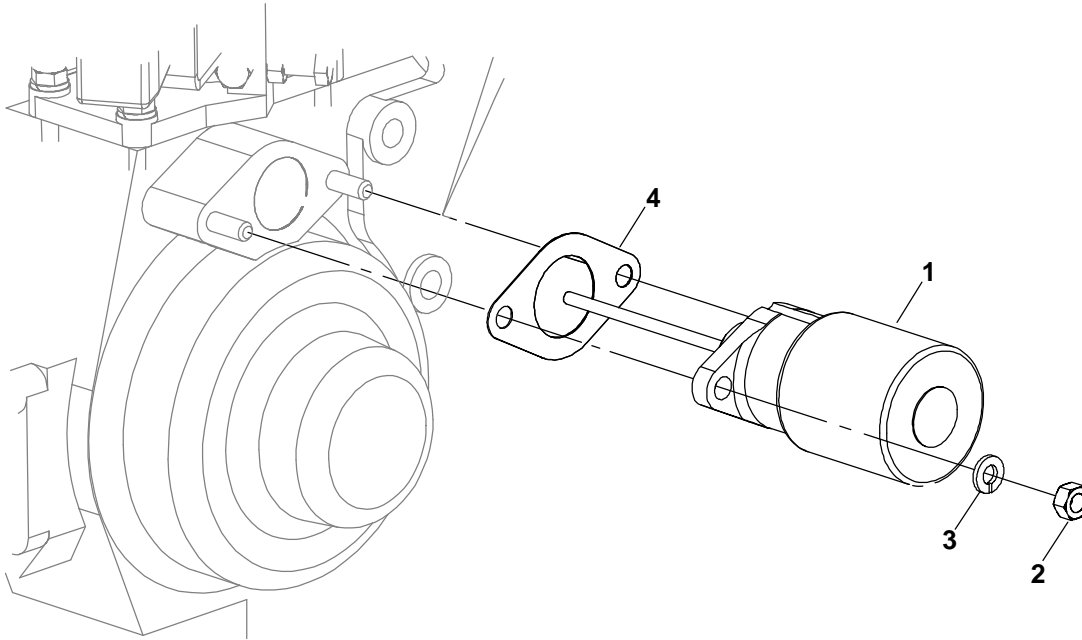
Alternator Components (Negative Ground) (24V)



REF NO.	PART NO.	QTY USED	PART DESCRIPTION	REF NO.	PART NO.	QTY USED	PART DESCRIPTION
	185-6724	1	Alternator (24V)	15	185-5788	3	Bolt
1	185-6809	1	Pulley	16	185-6815	1	Cover, End
2	185-5768	1	Nut	17	185-5787	1	Screw, Round Head
3	185-5769	1	Collar	18	185-6819	1	Holder Assy, Brush (Includes Brushes and Springs)
4	185-6812	1	Frame, Drive End (Includes Parts Marked *)	19	185-5783	2	Brush
5	185-7056	2	*Bolt, Through	20	185-5784	2	Spring, Brush
6	185-5786	6	Screw, Round Head	21	185-5785	2	Screw, Round Head
7	185-6813	1	*Bearing	22	185-6820	1	Regulator
8	185-5774	1	*Plate, Retainer	23	185-6816	1	Rectifier
9	185-5775	4	*Screw, Round Head	24	185-5789	2	Nut
10	185-6810	1	Rotor (Includes Bearing and Cover)	25	185-5790	2	Bolt
11	185-6811	1	Bearing	26	185-6814	1	Frame, End
12	185-5771	1	Cover, Bearing				
13	185-5781	1	Insulation, Brush				
14	185-2961	1	Nut				

* - Parts Included in Drive End Frame

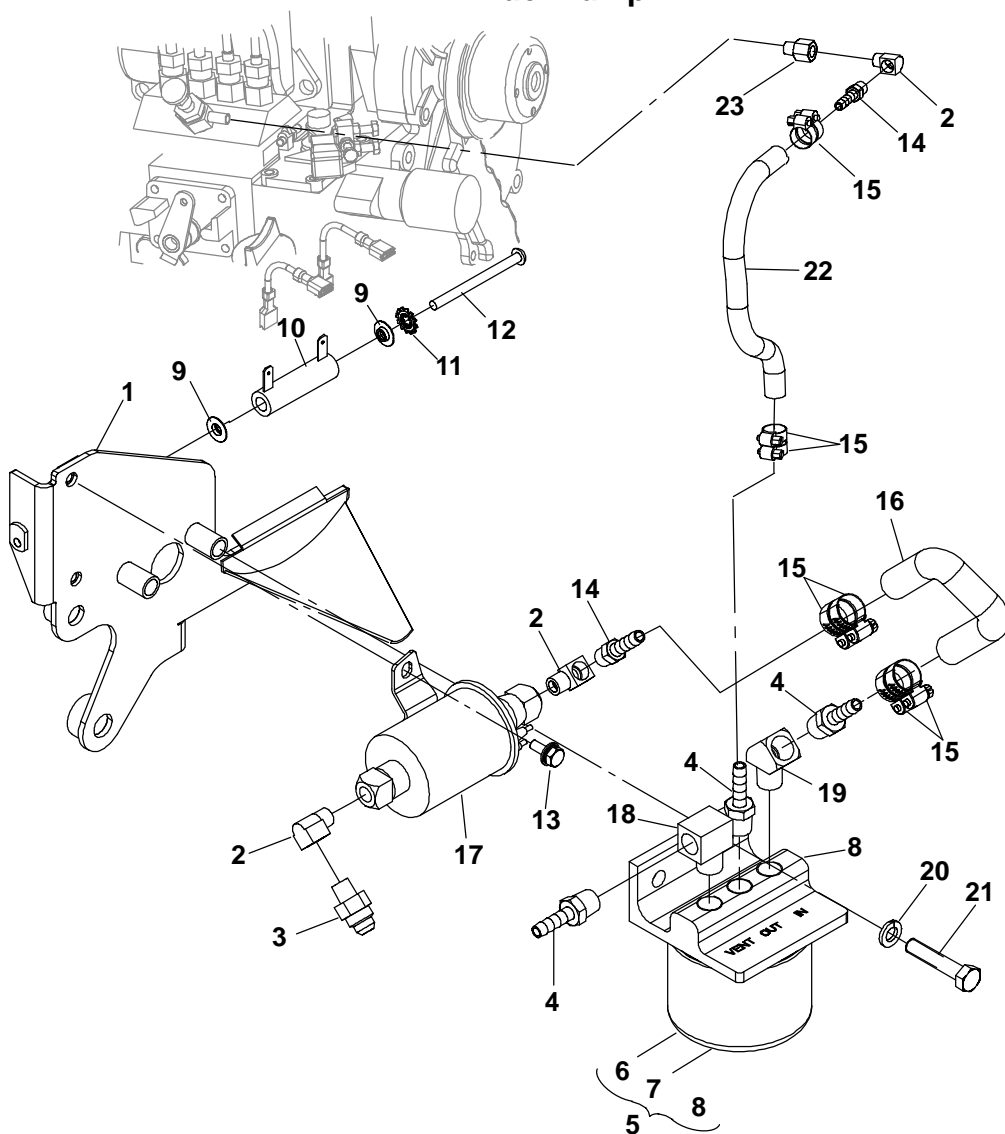
Governor Actuator



REF NO.	PART NO.	QTY. USED	PART DESCRIPTION
1	306-4720-01	1	Actuator, Governor (12V)
	306-4720-02	1	(24V)
2	860-2021	2	*Nut Stainless Steel (M6 x 1")
3	850-2056	2	*Washer, Spit Lock Stainless Steel (M6)
4	184-0071	1	Gasket, Solenoid Cover

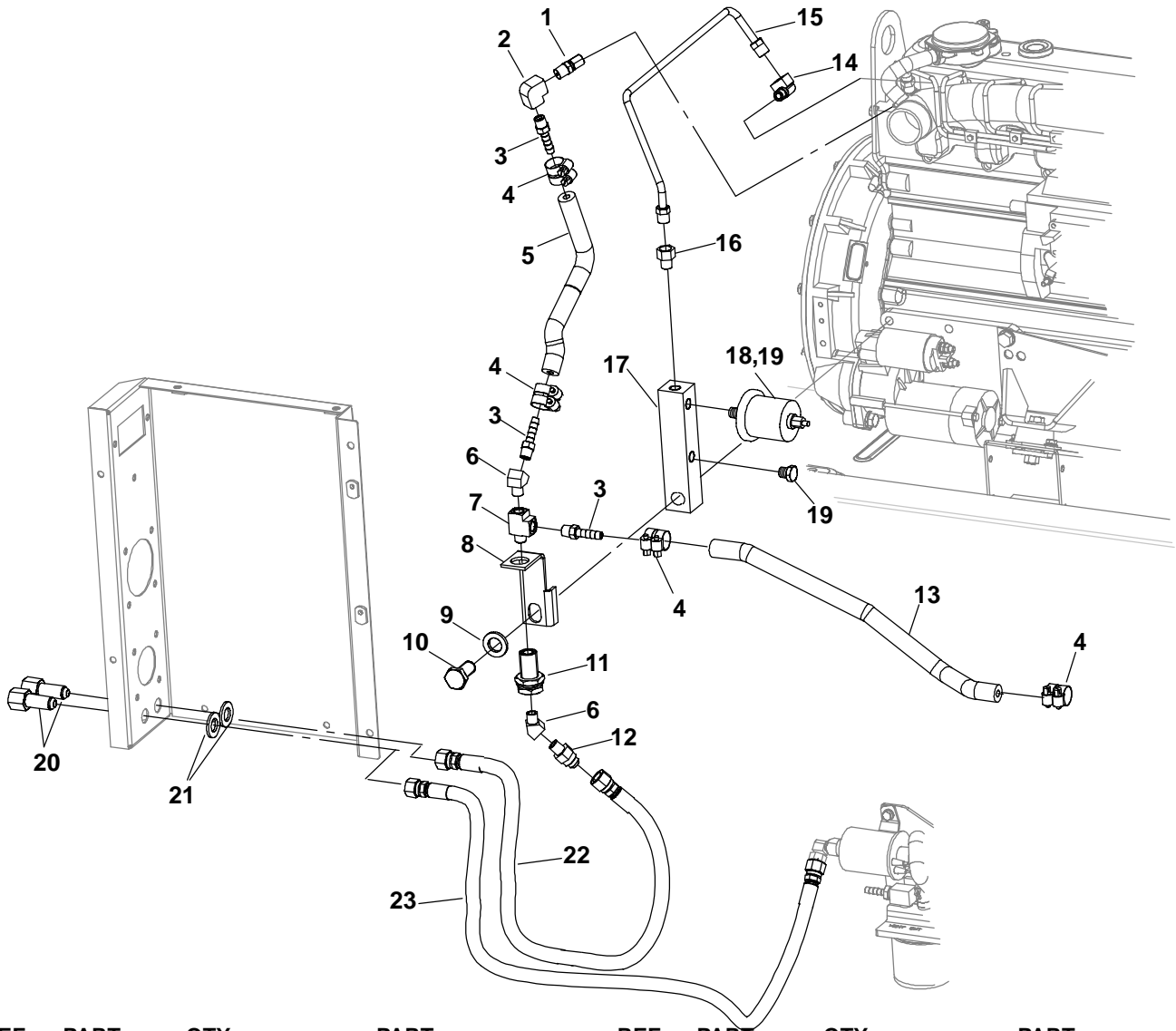
* - Reuse existing Hardware.

Fuel Pump



REF NO.	PART NO.	QTY USED	PART DESCRIPTION	REF NO.	PART NO.	QTY USED	PART DESCRIPTION
1	149-2703-03	1	Bracket, Fuel Pump	13	821-6002-02	2	Screw, Hex Flange (M6 x 1 x 14)
2	502-0020	3	Elbow, Pipe	14	502-1367-01	2	Connector, Hose
3	505-1490	1	Connector, Male	15	503-2309	8	Clamp, Hose
4	502-1367-02	3	Connector, Hose	16	503-2200-01	1	Hose, Fuel
5	149-2634-01	1	Filter, Fuel (Includes Element, Plug and Filter Base)	17	149-2646	1	Pump, Fuel
6	149-2106	1	Element	18	502-0054	1	Elbow, Street Pipe
7	502-0028	1	Plug, Drain	19	502-0156	1	Elbow, 45° Street
8	149-2635	1	Base, Filter	20	850-2008	2	Washer, Lock Split (M8)
9	304-0796	2	Washer, Centering (24V)	21	800-2061	2	Screw, Hex Head (M8 x 1.25 x 40)
10	350-1238	1	Resistor (3.8 ohms) (24V)	22	503-2200-02	1	Hose, Fuel (1/4" x 13.26)
11	856-0003	1	Washer, EIT (#10) (24V)	23	502-0175	1	Adapter, Pipe (1/8"NPT)
12	813-0112	1	Screw, Round Head Machine (#10-32 x 2.5") (24V)				

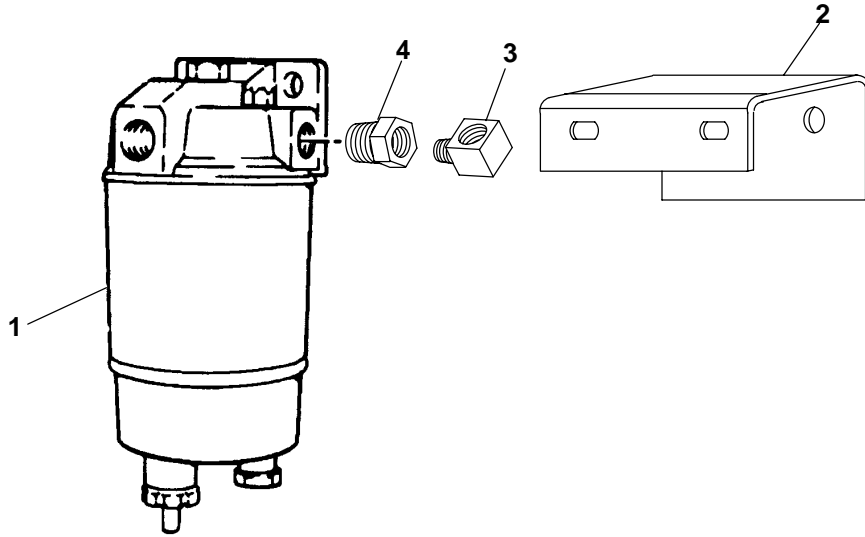
Fuel Return, Oil Sender



REF NO.	PART NO.	QTY USED	PART DESCRIPTION	REF NO.	PART NO.	QTY USED	PART DESCRIPTION
	149-2654	1	Kit, Fuel Adapter (5/16" Hose)	16	503-0003	1	Connector, Male IN
	149-2655	1	Kit, Fuel Adapter (3/8" Hose)	17	120-1319	1	Manifold, Oil Pressure
1	502-1245	1	Adapter, Pipe	18	193-0244	1	Sender, Oil Pressure
2	502-0055	1	Elbow, Inverted Female		193-0430-01	1	Neg Ground with Gauges
3	502-1367-01	4	Connector, Hose		193-0430-01	1	Iso Ground with Gauges
4	503-2309	4	Clamp, Hose	19	502-0028	2	Plug, Hex Head Pipe
5	503-2200-01	1	Hose, Fuel (1/4" x 7.54")	20	505-1489	2	Connector, Female Bulkhead
6	502-0053	2	Elbow, 45° Street	21	526-0406	2	Washer, Flat (M14)
7	502-1368	1	Tee, Street (1/8 NPT)	22			Line, Fuel
8	149-2489-02	1	Support, Fuel Return		501-0672-02	1	MDKBP, MDKBR
9	526-0399-64	1	Washer, FI (M12)		501-0672-04	1	MDKBS
10	800-3029	1	Screw, Hex Head Cap (M12 x 1.25 x 45mm)	23			Line, Fuel
11	502-1244	1	Coupling, Anchor		501-0672-05	1	MDKBP, MDKBR
12	505-1490	1	Connector, Male		501-0672-06	1	MDKBS
13	503-2200-05	1	Hose, Fuel (1/4" x 20")				
14	503-1309	1	Elbow, Inverted Male				
15	122-0813	1	Line, Oil				

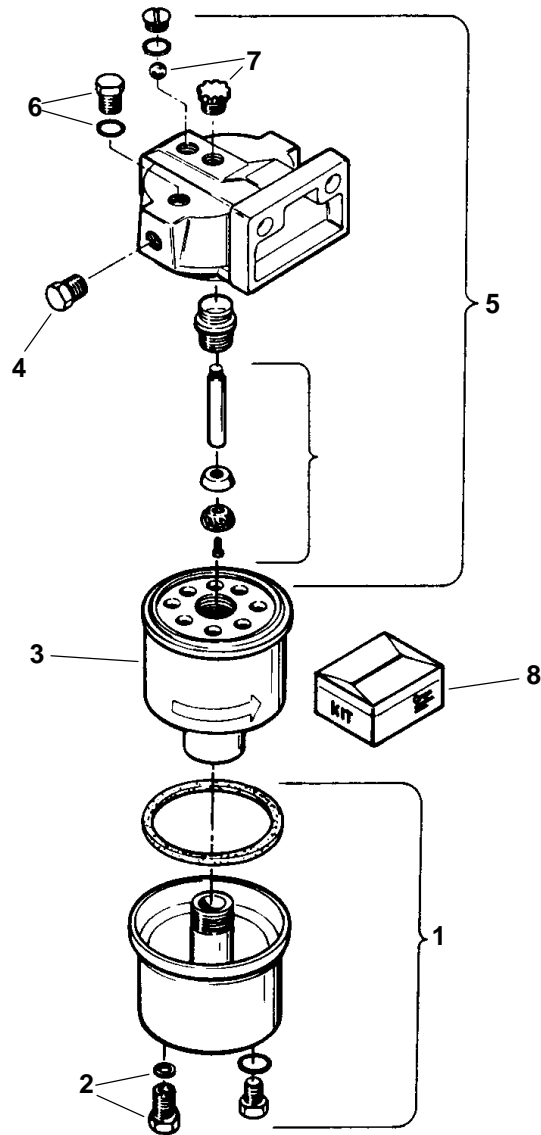
* - Oil Sender ties to E1-2, Iso Ground Harness (See Isolated Ground 338-4200-01)

Remote Water Separator



REF NO.	PART NO.	QTY. USED	PART DESCRIPTION	REF NO.	PART NO.	QTY. USED	PART DESCRIPTION
	149-2073	1	Kit, Remote Fuel/Water Separator	2	149-2041-03	1	Bracket, Separator Mounting
1	149-1908-05	1	Separator, Fuel/Water (See Separate Page for Components)	3	502-0020	1	Elbow, Street 90Degrees
				4	502-0029	2	Bushing, Pipe

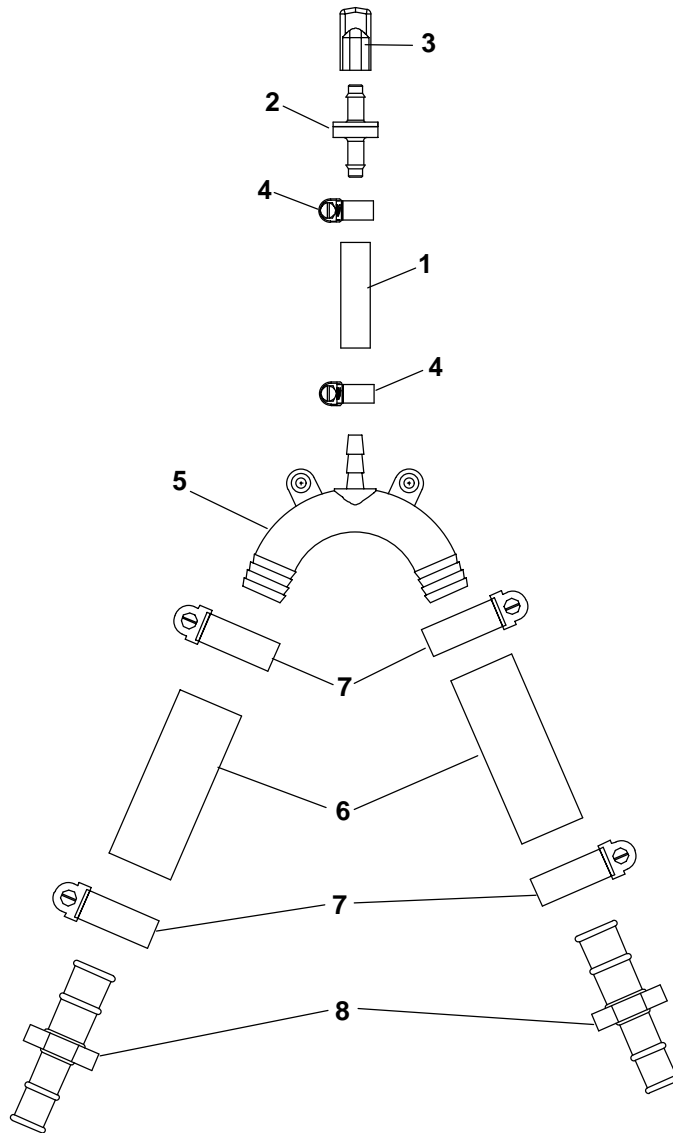
Water Separator Components



REF NO.	PART NO.	QTY USED	PART DESCRIPTION	REF NO.	PART NO.	QTY USED	PART DESCRIPTION
	149-1908-05	1	Separator, Water	6	149-1952	1	Plug, Vent (Includes O-Ring)
1	149-2046	1	Kit, Metal Bowl Replacement (Includes Plug, O-Rings and Drain Assy)	7	149-2047	1	Pump Assy (Includes Plunger, Retainer, Shaft, Check Ball, Knob and Screw)
2	149-1953	1	Drain Assy (Includes Knob and Seal)	8	149-2045	1	O'Ring Kit (Includes Seal and Plunger)
3	149-1914-05	1	Element (Includes Seals)				
4	502-0153	1	Plug, Hex (1/4")				
5	149-1949	1	Head Assy, Replacement (Includes Vent Plug, O-Rings, Seal, Cap, Tube and Pump Assy)				

“Blank Page”

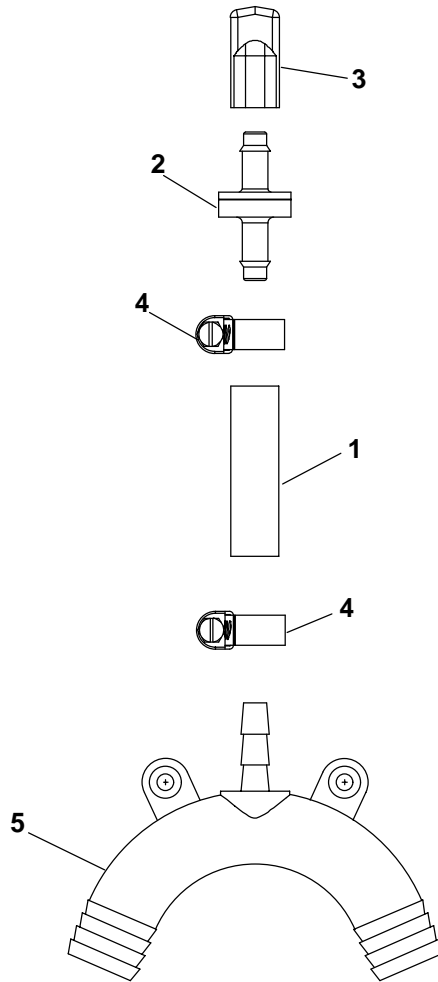
Break Siphon MDKBP, MDKBR



REF NO.	PART NO.	QTY USED	PART DESCRIPTION	REF NO.	PART NO.	QTY USED	PART DESCRIPTION
	541-0863		Kit, Siphon Break	7	503-0977	10	Clamp, Hose
1	503-2352	1	Hose, Coolant	8	502-1450	2	Adapter, Hose
2	504-0223	1	Valve, Check	9	508-1102	2	*Grommet, Rubber
3	502-1425-02	1	Cap, Tube				
4	503-2309	2	Clamp, Hose				
5	502-1463	1	Connector, Hose				
6	503-2394	2	Hose, Water				

* - Parts not shown but included in kit.

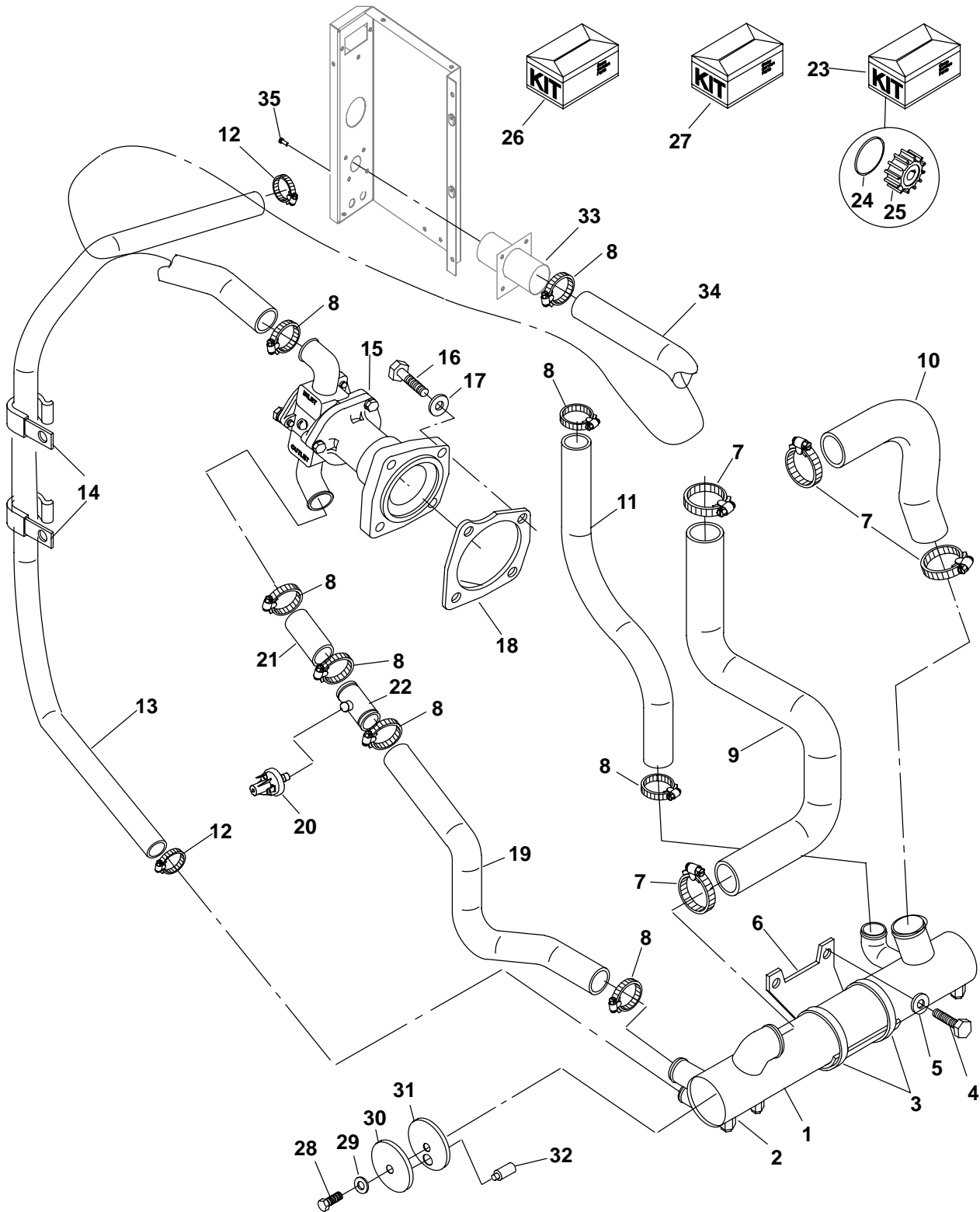
Break Siphon MDKBS



REF NO.	PART NO.	QTY USED	PART DESCRIPTION	REF NO.	PART NO.	QTY USED	PART DESCRIPTION
	541-0876-01	1	Kit, Siphon Break	6	503-0977	2	*Clamp, Hose
1	503-2352	1	Hose, Coolant	7	508-1102	2	*Grommet, Rubber
2	504-0223	1	Valve, Check				
3	502-1425-02	1	Cap, Tube				
4	503-2309	2	Clamp, Hose				
5	502-1463	1	Connector, Hose				

* - Parts not shown but included in kit.

Heat Exchanger

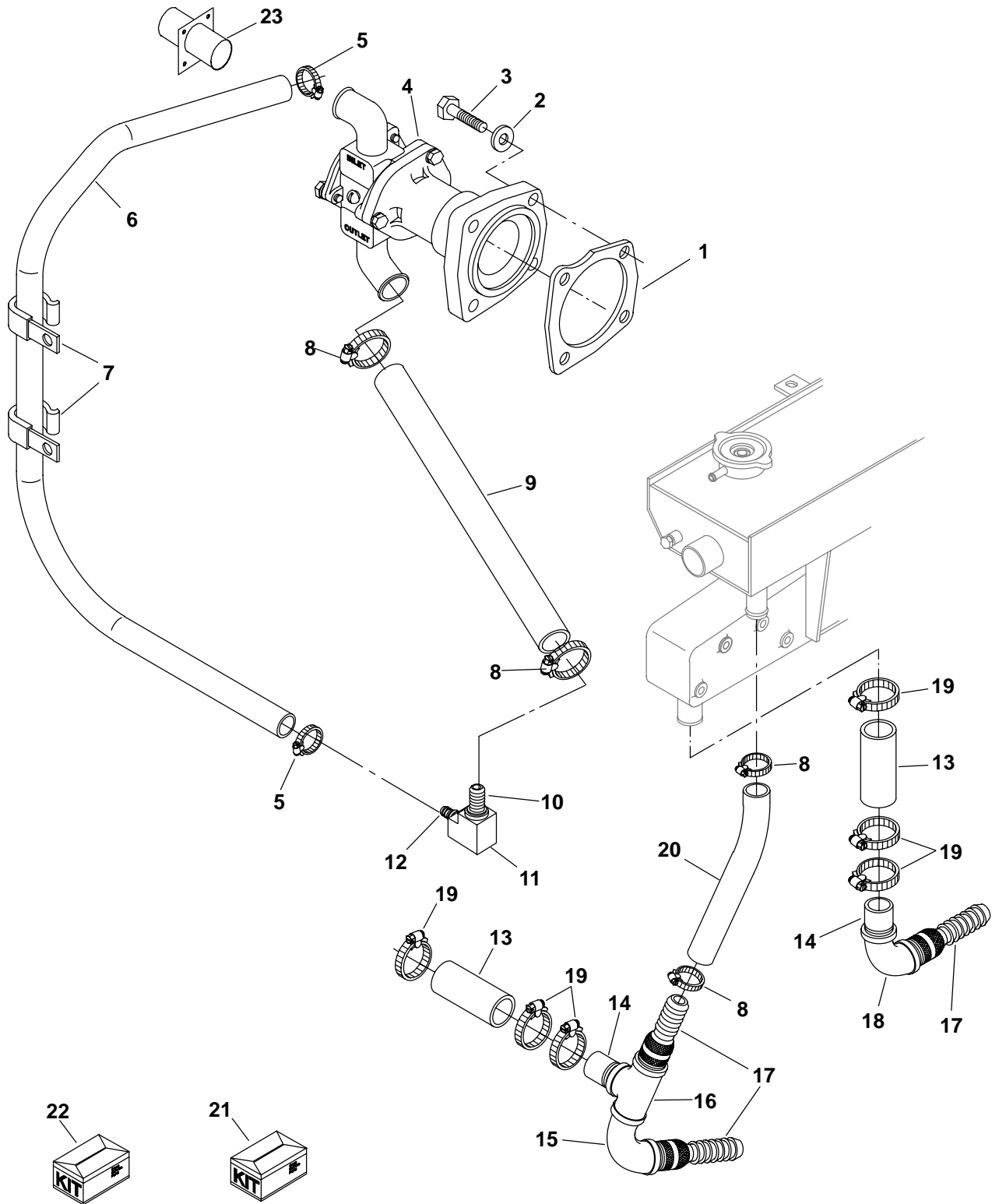


Heat Exchanger

REF NO.	PART NO.	QTY USED	PART DESCRIPTION	REF NO.	PART NO.	QTY USED	PART DESCRIPTION
1			Exchanger, Heat	21	503-2350-01	1	Hose, Coolant
	130-5006-02	1	MDKBP, MDKBR	22	130-5387-01	1	Tube, Low Pressure Switch
	130-5007-02	1	MDKBS	23	132-0349	1	Kit, Minor Service (Includes O'Rings and Impeller)
2	130-4434	1	Pencil, Zinc (w/Screw)	24	132-0293	1	O'Ring
3			Clamp, Hose	25	132-0348	1	Impeller
	503-1143	2	(3")MDKBP, MDKBR	26	130-4979	1	Kit, Heat Exchanger Zinc Pencil (Includes Parts Marked +)
	503-1144	2	(3.25")MDKBS				(MDKBP, MDKBR)
4	800-3030	2	Screw, Hex Head Cap (M10 x 1.25 x 20mm)	27	130-5012	1	+Kit, End Cover (Includes Parts Marked *)
5	526-2120	2	Washer, Flat (M10)	28	800-0317	1	+Screw, Hex Head (5/16-18 x 3/4")
6			Bracket, Heat Exchanger	29	850-0165	1	+Washer, Lock (5/16")
	130-4234-03	1	MDKBP, MDKBR	30			*Cover, Heat Exchanger
	130-4628-03	1	MDKBS		130-4567	1	W/O Zinc Pencil Boss)
7	503-1138	8	Clamp, Hose (1-3/8")		130-4962-01	1	W/Zinc Pencil Boss)
8	503-1137	8	Clamp, Hose (1")	31			*Gasket, Cover
9	503-1977	1	Hose, Exhaust Manifold (1-3/8") (Includes Sleeving)		130-4566	1	W/O Zinc Pencil Hole
10			Hose, Engine Coolant (1-3/8")		130-4960	1	W/Zinc Pencil Hole
	503-1896	1	MDKBP, MDKBR	32	130-4961	1	*Pencil, Zinc (w/o Screw)
	503-1998	1	MDKBS	33	405-7211	1	Connector, Bulkhead
11	503-0501	1	Hose, Coolant Tank Lower (1" x 22")	34			Hose, Coolant
12	503-0977	2	Clamp, Hose		503-2350-02	1	1333.5mm Length MDKBP, MDKBR
13			Hose, Mixer (3/4 x 43") MDKBP, MDKBR		503-2350-04	1	1765.3mm Length MDKBS
	503-2122	1	(5/8 x 43") MDKBS	35	821-6006-01	4	Screw, Hex Head Sems Stainless (M6 x 1 x 16mm)
	503-2027	1	Clamp, "J"				
14	332-2634	2	Pump, Raw Water (See Separate Page for Components)				
15	132-0356	1	Screw, Hex Head Cap (M8 x 1.25 x 30mm)				
16	800-2057	4	Washer, Flat (M8)				
17	526-2100	4	Gasket, Water Pump				
18	132-0346	1	Hose, Water Pump (1")				
19			MDKBP, MDKBR				
	503-2347	1	MDKBS				
	503-2349	1	Switch, Pressure				
20	309-0667	1					

+ - Parts Included in Heat Exchanger Zinc Pencil Kit.
 * - Parts Included in End Cover Kit.

Keel Cooling (Wet Exhaust)

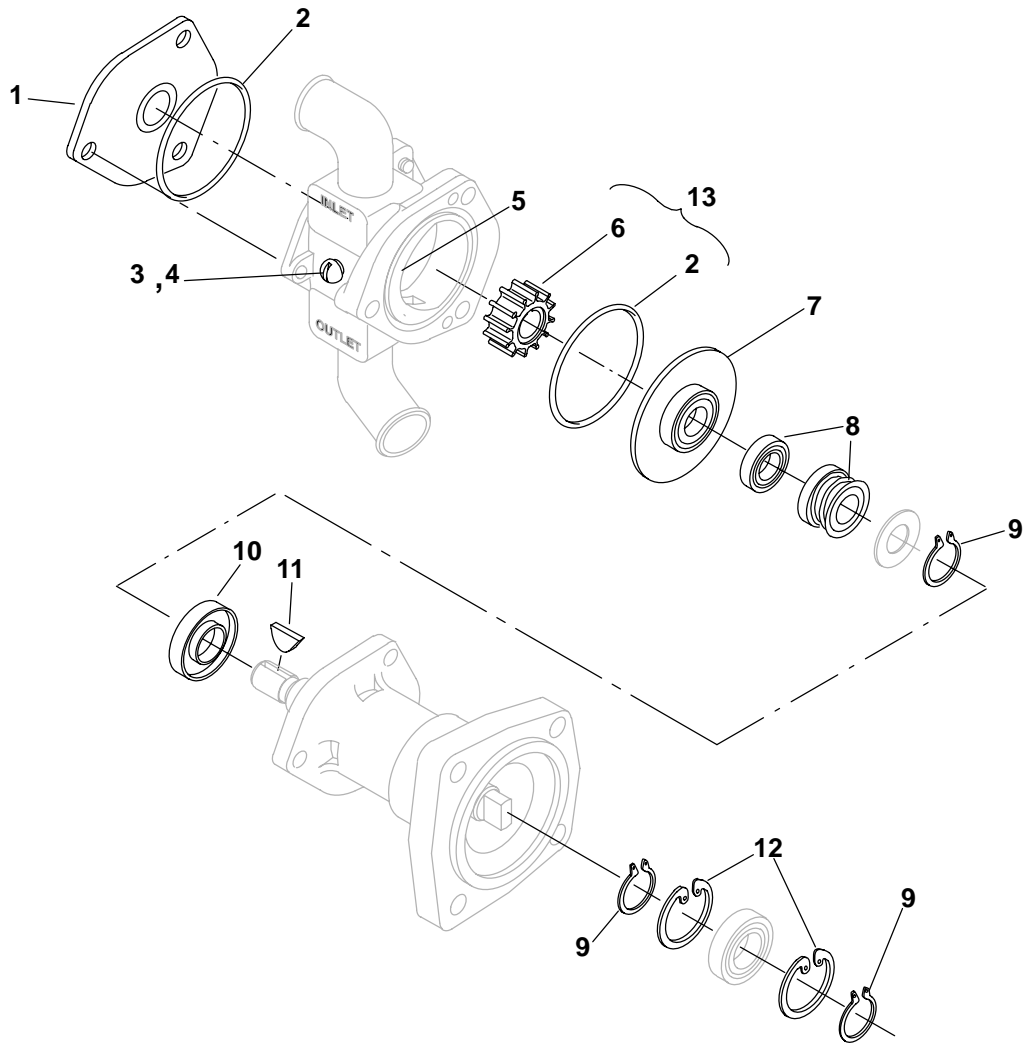


Keel Cooling (Wet Exhaust)

REF NO.	PART NO.	QTY USED	PART DESCRIPTION	REF NO.	PART NO.	QTY USED	PART DESCRIPTION
1	132-0346	1	Gasket, Water Pump	14	505-0446-01	2	*Nipple, Half
2	526-2100	4	Washer, Flat (M8)	15	505-0003	1	*Elbow
3	800-2059	4	Screw, Hex Head Cap (M8 x 20mm)	16	505-0304	1	*Tee
4	132-0356	1	Pump, Raw Water	17	505-0759	3	*Barb, Hose
5	503-0977	2	Clamp, Hose	18	505-0041	1	*Elbow
6			Hose	19	503-1138	6	*Clamp, Hose (1-3/8")
	503-2122	1	MDKBP, MDKBR (3/4" x 36")	20	503-2025-01	1	Hose, Coolant (1" x 10")
	503-2027	1	MDKBS	21	155-3148-02	1	Kit, Keel Cooling (Includes Parts Marked *)
7	332-2634	2	Clamp, "J"	22	132-0350	1	Kit, Water Pump Service (Includes Impeller and O'Ring, Wear Plate, Cover, Lip Seal, Cam, Seal Washer, Cam Screw, and Key) (MDKBS)
8	503-1137	4	*Clamp, Hose (1")				Connector, Bulkhead
9	503-2025-02	1	Hose , Lower Coolant (Cut to Fit)	23	405-7210	1	
10	502-1295-02	1	*Adapter (3/4" NPT x 1" Barb)				
11	502-1298-02	1	*Elbow, 90°				
12			*Adapter (3/4"NPT)				
	502-1295-01	1	5/8" Barb (MDKBP, MDKBR)				
	502-1295-03	1	3/4" Barb (MDKBS)				
13	503-2023	2	*Hose, Coolant (1-3/8" x 4")				

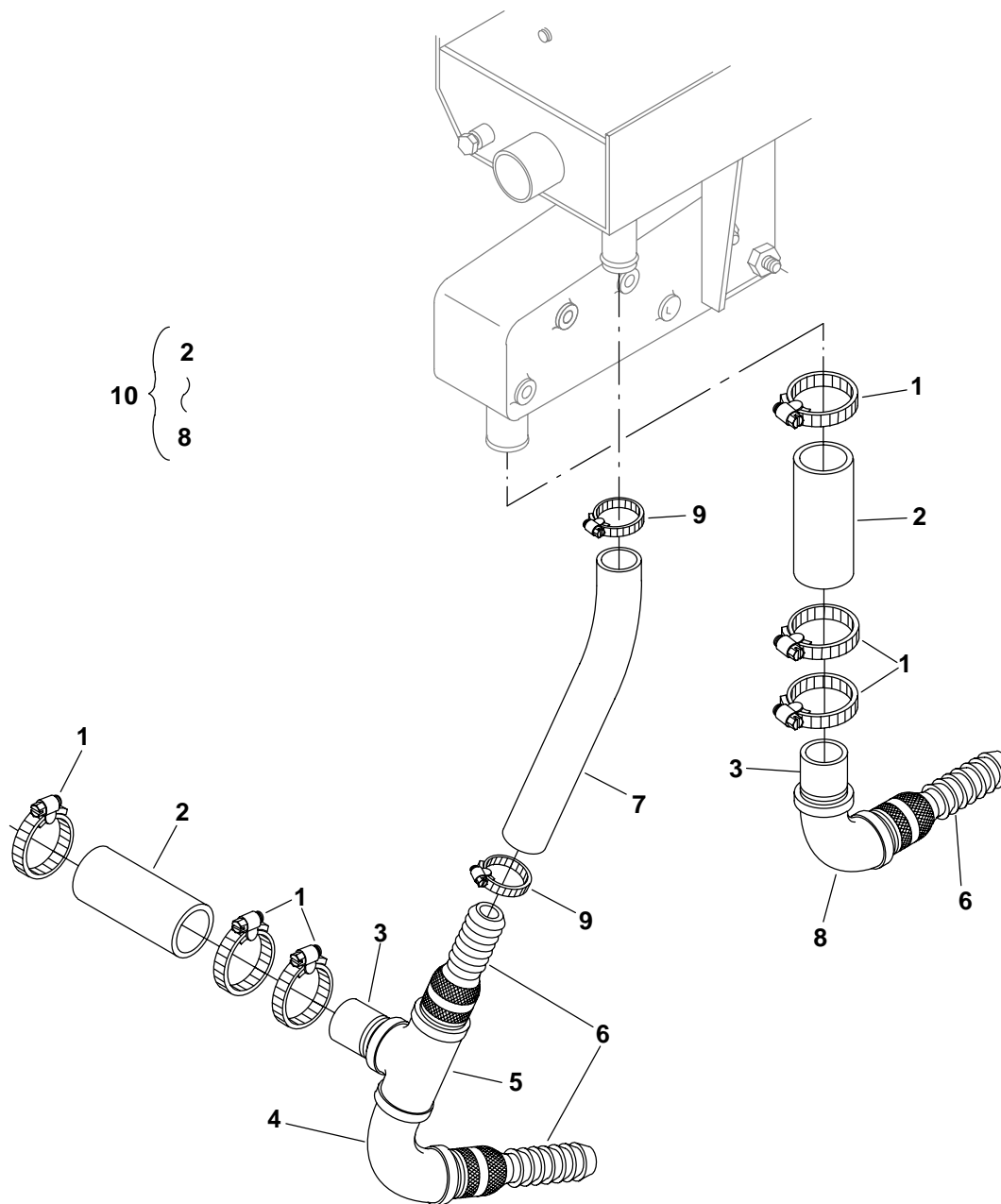
* - Parts Included in Keel Cooling Kit.

Water Pump Components



REF NO.	PART NO.	QTY USED	PART DESCRIPTION	REF NO.	PART NO.	QTY USED	PART DESCRIPTION
	132-0414	1	Kit, Major Service	8	132-0387	1	Seal, Seat Assy
1	132-0386	1	Cover	9	132-0393	3	Ring, Retaining
2	132-0293	2	O'Ring	10	132-0394	1	Seal, Lip
3	132-0390	1	Screw, Cam	11	132-0391	1	Key
4	132-0389	1	Washer, Seal	12	132-0392	2	Ring, Retaining
5	132-0388	1	Cam	13	132-0349	1	Kit, Minor Water Pump Service (Includes Impeller and O'Ring)
6	132-0348	1	Impeller				
7	132-0385	1	Plate, Wear				

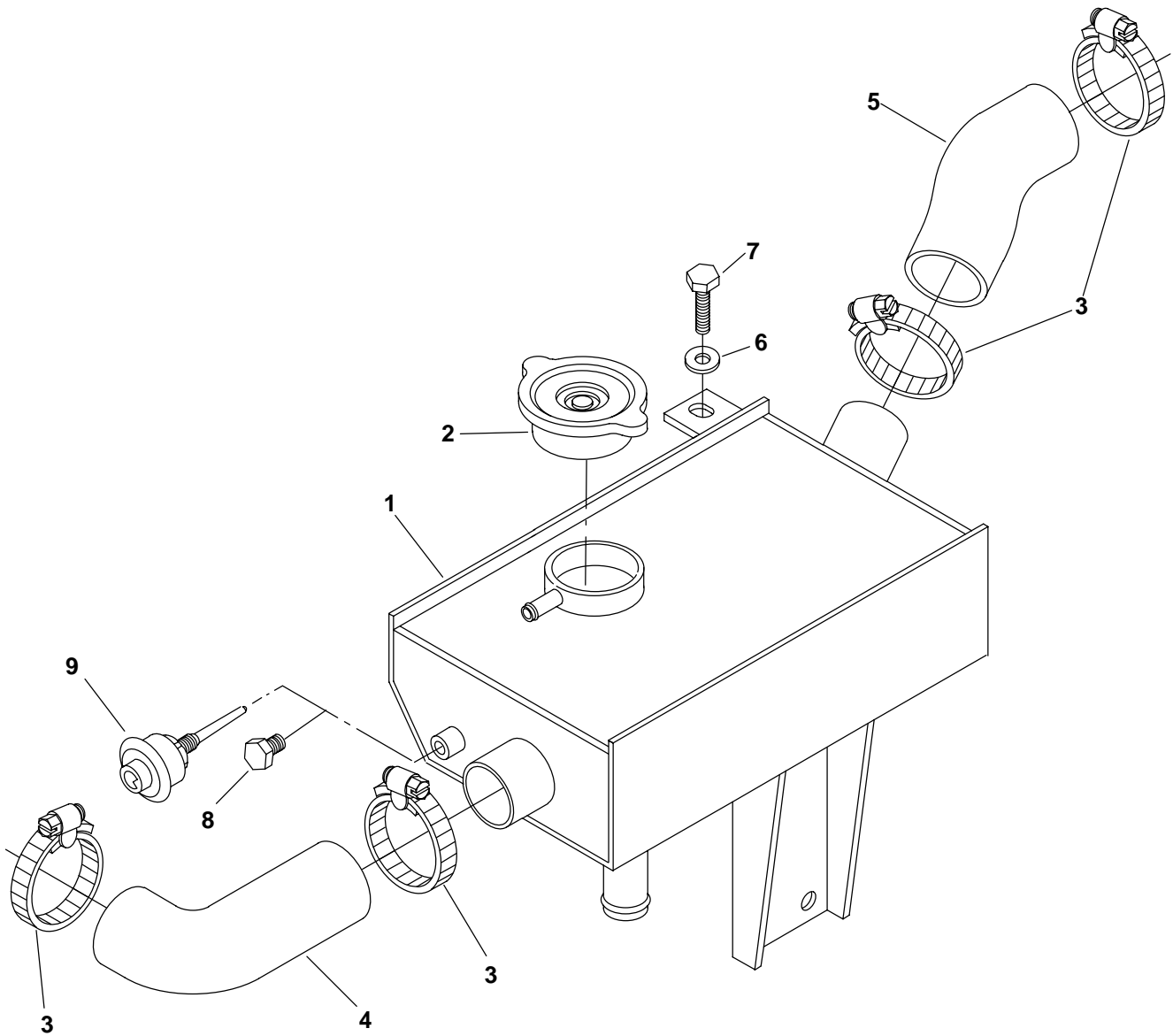
Keel Cooling System (Dry Exhaust)



REF NO.	PART NO.	QTY USED	PART DESCRIPTION	REF NO.	PART NO.	QTY USED	PART DESCRIPTION
	155-3284	1	Kit, Exhaust	8	505-0041	1	*Elbow
1	503-1138	6	Clamp, Hose (1-3/8")	9	503-1137	2	Clamp, Hose (1")
2	503-2023	2	*Hose, Coolant (1-3/8" x 4")	10	155-3087	1	Kit, Keel Cooling (Includes Parts Marked *)
3	505-0446-01	2	*Nipple, Half				
4	505-0003	1	*Elbow				
5	505-0304	1	Tee				
6	505-1509	3	*Barb, Hose				
7	503-2025-02	1	*Hose, Coolant (1" x 10")				

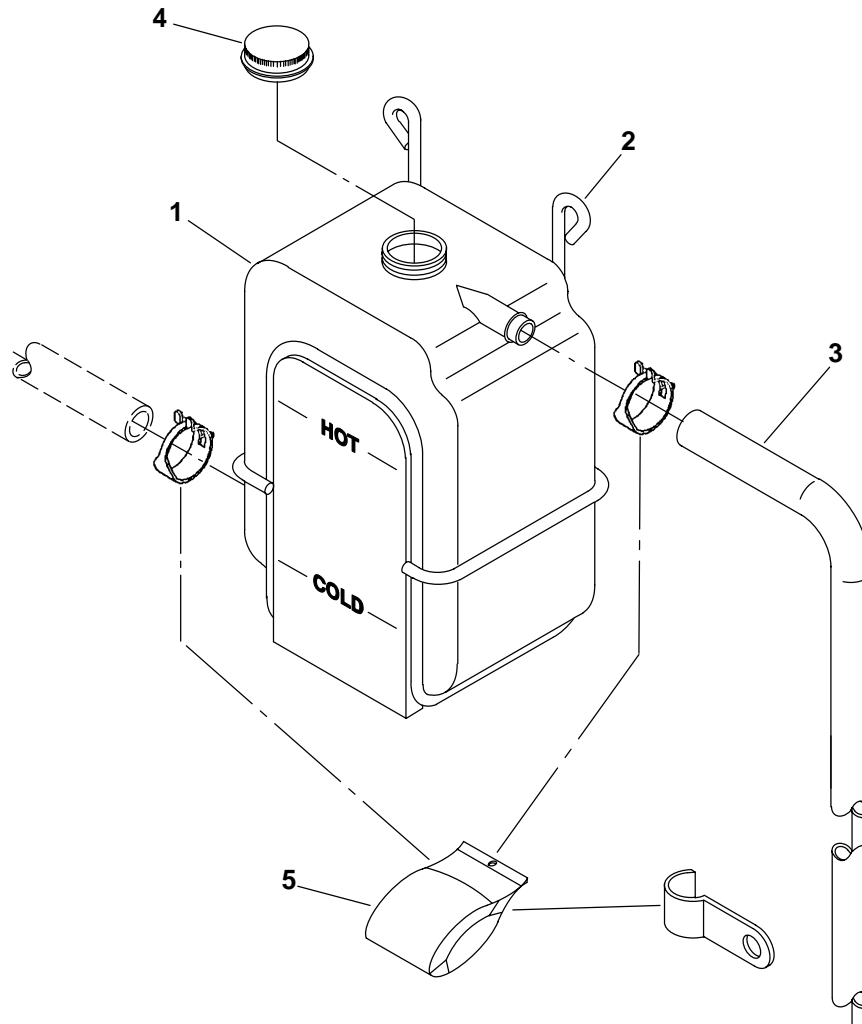
* - Parts Included in Keel Cooling Kit. (Also Includes Cover, Gasket and Hardware Found on Cylinder Block Page.)

Coolant Tank



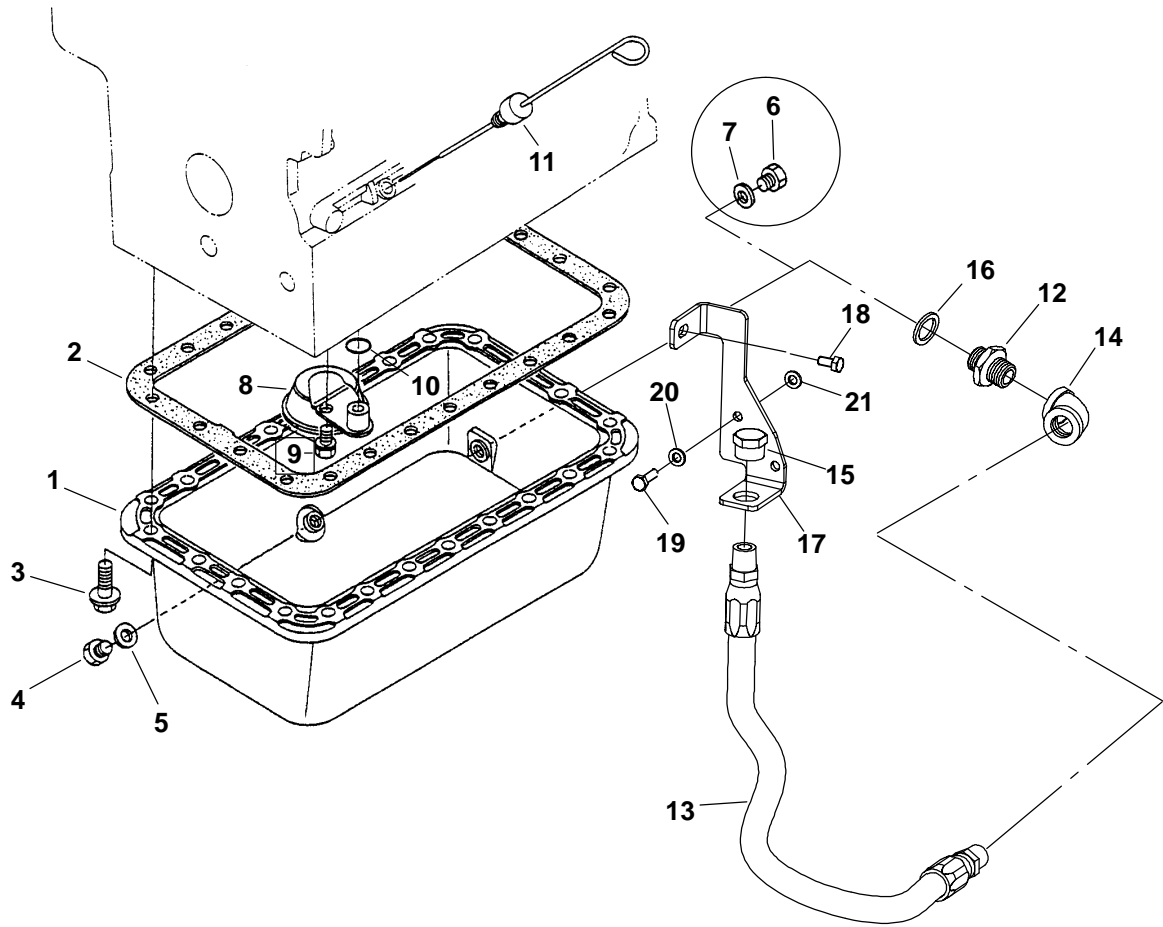
REF NO.	PART NO.	QTY USED	PART DESCRIPTION	REF NO.	PART NO.	QTY USED	PART DESCRIPTION
1	130-4881-02	1	Tank, Coolant	6	526-2100	1	Washer, Flat (M8)
2	130-3721		Cap, Tank	7	800-2054	1	Screw, Hex Head Cap (M8 x 1.25 x 14mm)
3	503-1138	4	Clamp, Hose (1-3/8")	8	502-0153	1	Plug, Hex Pipe (1/4)
4	503-1898	1	Hose, Upper Elbow MDKBP, MDKBR	9	193-0468	1	Sender, Low Coolant
	503-1999	1	MDKBS				
5	503-1899	1	Hose, Upper "S" (1-3/8")				

Coolant Recovery



REF NO.	PART NO.	QTY USED	PART DESCRIPTION	REF NO.	PART NO.	QTY USED	PART DESCRIPTION
	130-3574	1	Kit, Coolant Recovery	4	130-3572	1	Cap, Tank
1	130-3570	1	Tank, Coolant Recovery	5	130-3573	1	Hardware Package (Includes Mounting Hardware)
2	130-3571	1	Hanger, Tank				
3	503-1692	1	Hose (5/16 I.D. x 120" Lg.)				

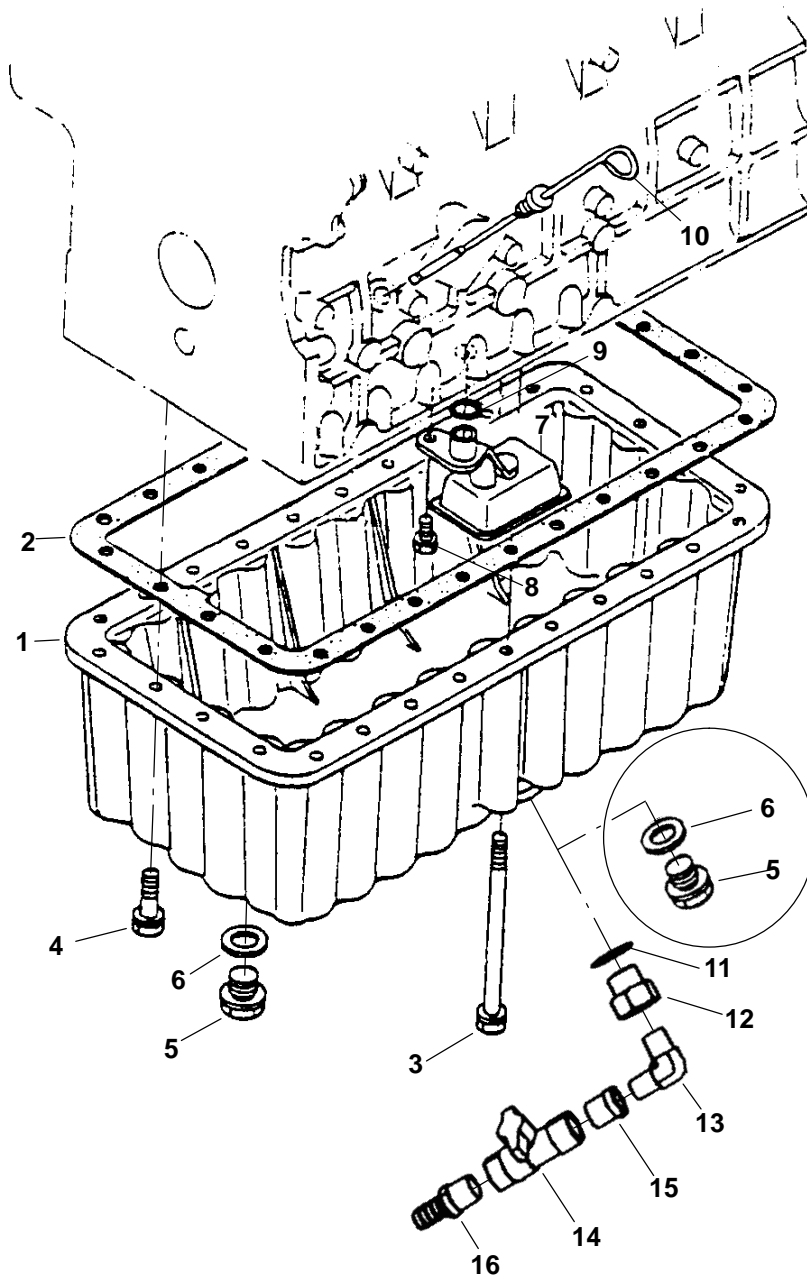
Oil Pan MDKBP, MDKBR



REF NO.	PART NO.	QTY USED	PART DESCRIPTION	REF NO.	PART NO.	QTY USED	PART DESCRIPTION
1	185-6727	1	Pan, Oil	15	502-1123	1	Cap, Pipe
2	185-5854	1	Gasket	16	526-0413	1	Washer, Oil Drain (.625ID x .875OD x .075Thk)
3	185-5855	24	Bolt, Flange	17	120-1337-02	1	Bracket, Oil Drain
4	185-2096	1	Plug	18	821-6002-02	1	Screw, Hex Flanged (M6 x 1 x 12mm)
5	185-2343	1	Gasket	19	800-2034	2	Screw, Hex Head (M6 x 1 x 20mm)
6	185-6760	1	*Bolt	20	850-2006	2	Washer, Lock Split (M6)
7	185-6761	1	*Gasket	21	526-2081	2	Washer, Flat (M6)
8	185-6728	1	Tube, Oil Pickup				
9	185-2563	1	Bolt				
10	185-3078	1	O'Ring				
11	185-6122	1	Indicator, Oil Level				
12	102-1449-01	1	Adapter, Oil Drain				
13	501-0624	1	Line, Flex Oil (24")				
14	502-0263	1	Elbow, Pipe 90°				

* Bolt and Gasket Removed with Installation of Oil Drain.

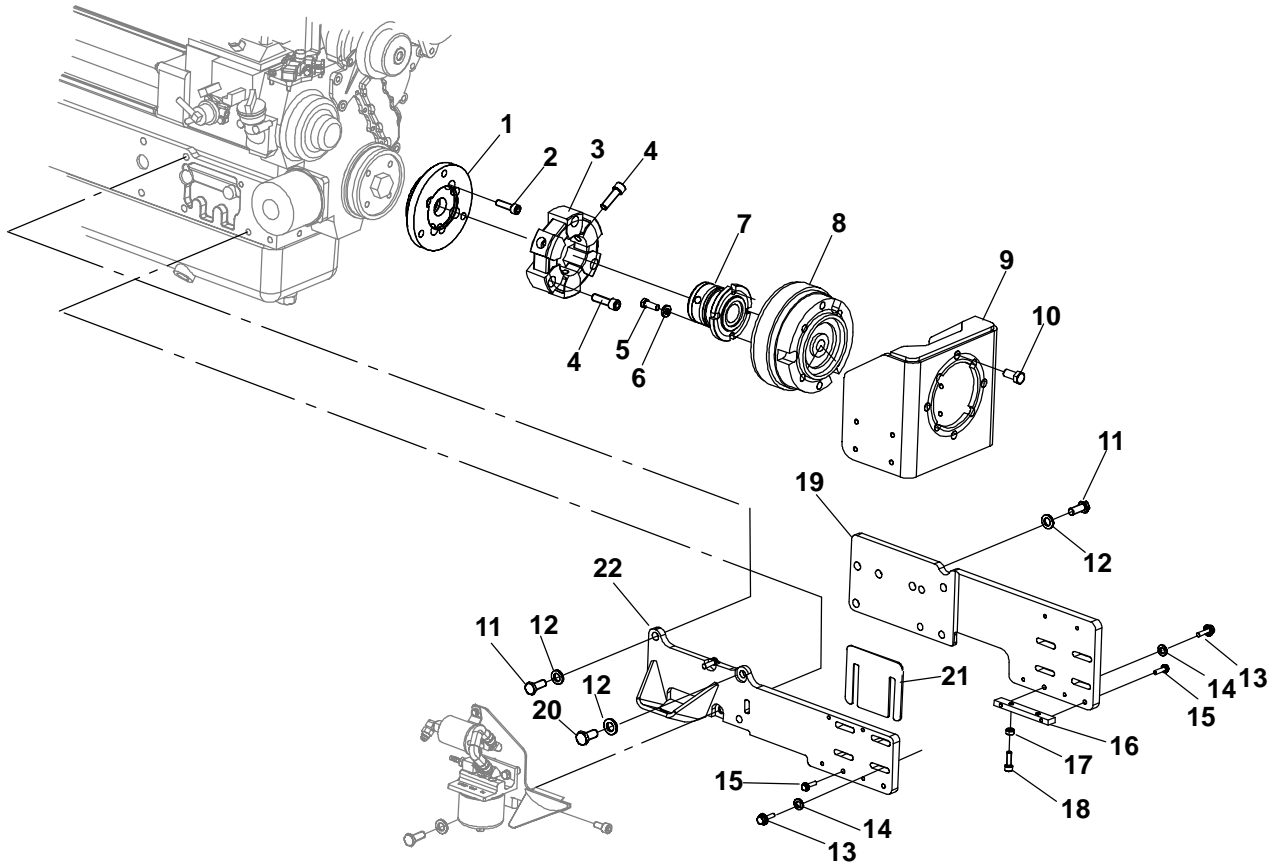
Oil Pan MDKBS



REF NO.	PART NO.	QTY USED	PART DESCRIPTION	REF NO.	PART NO.	QTY USED	PART DESCRIPTION
1	185-6195	1	Pan, Oil	10	185-6061	1	Indicator, Oil Level
2	185-6044	1	Gasket	11	526-0329	1	Washer, Oil Drain (7/8")
3	185-6045	2	Bolt	12	102-1448-02	1	Adapter, Oil Drain
4	185-5476	26	Bolt	13	502-1273	1	Elbow, Pipe 90°
5	185-6929	3	*Plug (Removed with Installation of Oil Drain)	14	504-0011	1	Valve, Shutoff
6	185-5495	3	*Gasket (Removed with Installation of Oil Drain)	15	502-0819	1	Bushing, Reducer
7	185-6047	1	Tube, Oil Pickup	16	502-1006	1	Fitting, Hose Barb
8	185-6956	1	Bolt				
9	509-0254	1	O'Ring				

* Circled Bolt and Gasket Removed with Installation of Oil Drain.

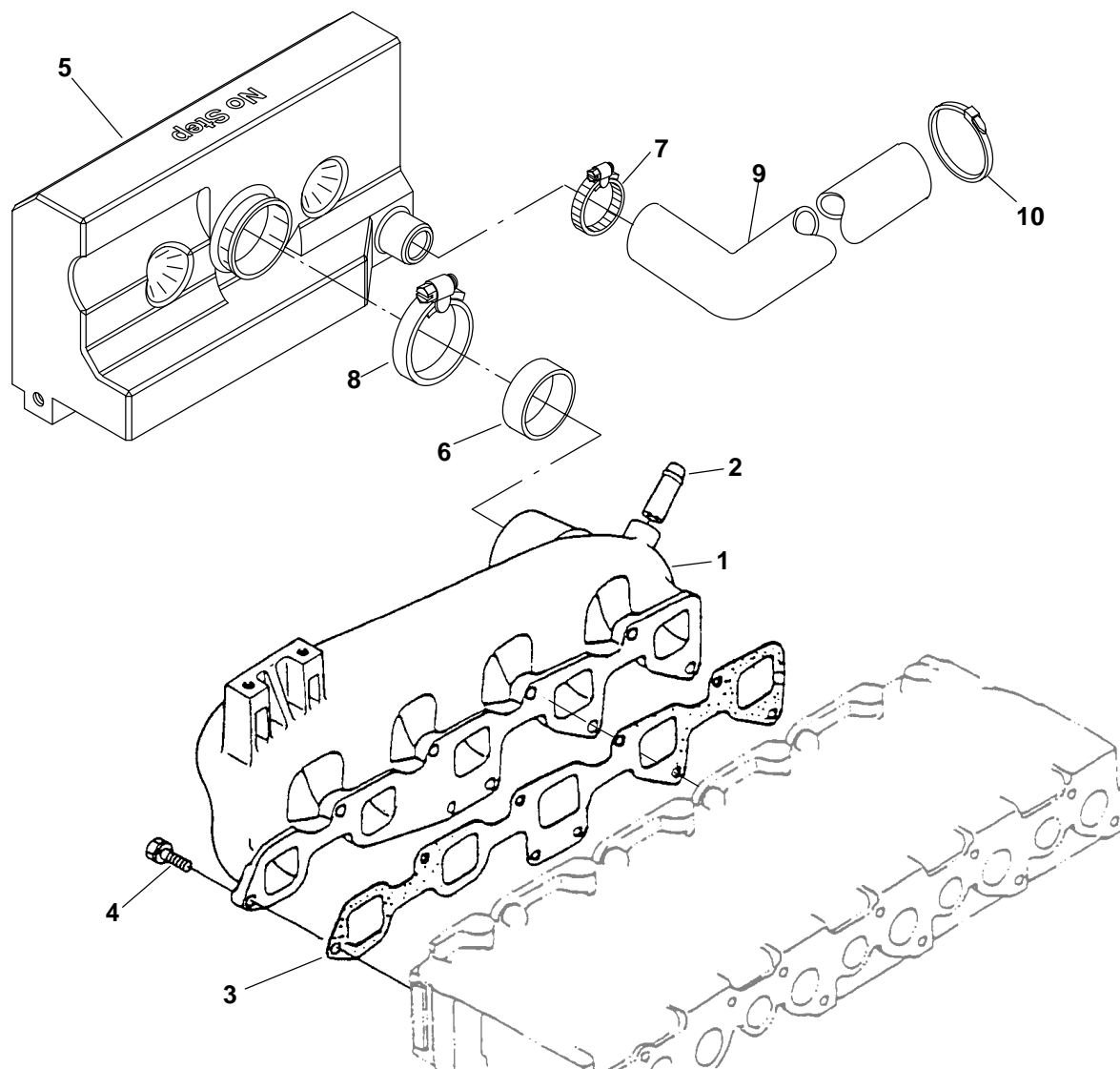
PTO



REF NO.	PART NO.	QTY USED	PART DESCRIPTION	REF NO.	PART NO.	QTY USED	PART DESCRIPTION
			Kit, PTO (Includes Parts Marked *)	9	190-0769-03	1	*Bracket, PTO Clutch
			MDKBP, MDKBR	10	800-0090	2	*Screw, Hex Head Cap (1/2-13 x 1.00")
	190-0776-01	1	12V	11	800-3032	9	*Screw, Hex Head Cap
	190-0776-02	1	24V	12	526-0399-64	10	*Washer, Flat (M12)
			MDKBS	13	800-3017-21	8	*Screw, Hex Head (M8 x 1.25 x 30mm)
	190-0776-03	1	12V	14	526-0451	8	*Washer, Flat Stainless (M8)
	190-0776-04	1	24V	15	821-2035	4	*Screw, Locking Flange (M6 x 1 x 25mm)
	190-0777	1	Kit, PTO Belt (Includes Tool Spacer and Belt)	16	190-0766-03	2	*Bracket, Mounting Pad
1			*Adapter, Coupling	17	862-0026-55	4	*Nut, Hex (M8)
	190-0763-02	1	MDKBP, MDKBR	18	815-0916	4	*Screw, Socket Head (M8 x 1.25 x 25mm)
	190-0764-02	1	MDKBS	19	190-0792-03	1	*Bracket, PTO (Left)
2			*Screw, Socket Head Cap (M8 x 1.25 x 35mm)	20	800-3033	1	*Screw, Hex Head Cap (M12 x 1.25 x 25mm)
	725-1053	3	MDKBP, MDKBR	21			*Shim, PTO
	815-0904-03	4	MDKBS(M10 x 1.25 x 35mm)		190-0771-02	AR	.12 GA
3	190-0768	1	*Coupling, Flex		190-0771-04	AR	.14 GA
4	725-1103	6	*Screw, Socket Head Cap (M12 x 1.75 x 40mm)		190-0771-06	AR	.20 GA
5	801-1050	4	*Screw, Hex Head Cap (3/8-24 x 1")	22	190-0770-03	1	*Bracket, PTO (Right)
6	526-0174	4	*Washer, Flat				
7	190-0767-02	1	*Adapter, Coupling				
8			*Clutch				
	190-0729-01	1	12V				
	190-0729-02	1	24V				

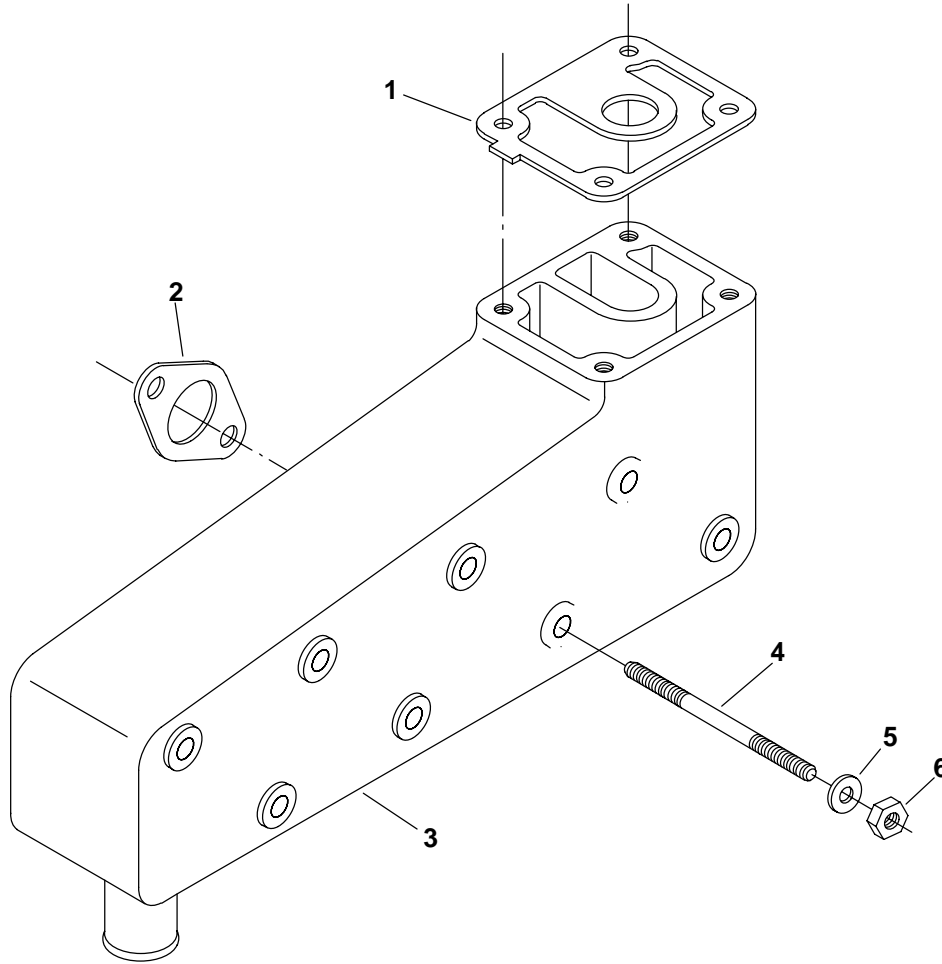
* - Parts Included in PTO Kit. (Also Includes Fuel Pump Mounting Hardware Found on Fuel Pump Page)

Intake Manifold



REF NO.	PART NO.	QTY USED	PART DESCRIPTION	REF NO.	PART NO.	QTY USED	PART DESCRIPTION
1			Manifold Assy, Intake	6	140-3048	1	Sleeve, Air Intake
	185-6715	1	MDKBP, MDKBR	7			*Clamp, Hose
	185-6803	1	MDKBS		503-1138	1	MDKBP, MDKBR (1-3/8")
2	185-6723	1	Joint, Breather		503-1139	1	MDKBS (2")
3			Gasket	8	503-1143	1	Clamp, Hose (3")
	185-6035	1	MDKBP, MDKBR	9			Hose, Intake
	185-7065	1	MDKBS		503-1939	1	MDKBP, MDKBR (1-3/8 x 28")
4			Bolt		503-2009-01	1	MDKBS (1-3/8 x 31")
	185-2402	7	MDKBP, MDKBR	10	332-1389	1	Cable, Tie
	185-2402	9	MDKBS				
5			Resonator, Intake				
	140-2859	1	MDKBP, MDKBR				
	140-3021	1	MDKBS				

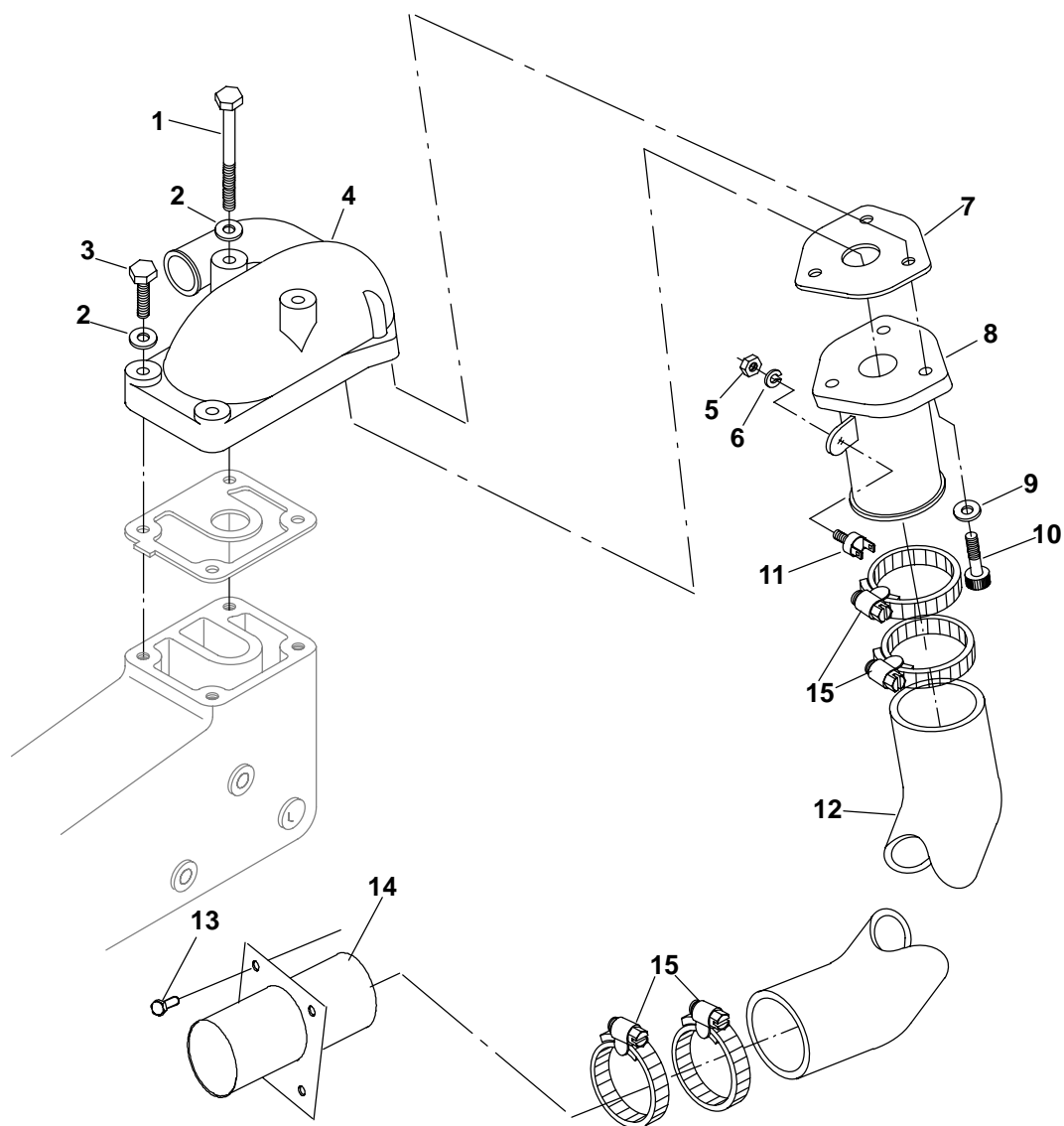
Exhaust Manifold



REF NO.	PART NO.	QTY USED	PART DESCRIPTION	REF NO.	PART NO.	QTY USED	PART DESCRIPTION
1	155-2975	1	*Gasket, Riser, Adapter	6			Nut (M8 x 1.25)
2	154-2915	4	Gasket, Exhaust Manifold	750-1006	8		MDKBP, MDKBR
3			Manifold, Exhaust	750-1006	10		MDKBS
	154-2887	1	MDKBP, MDKBR				
	154-3002	1	MDKBS				
4			Stud				
	520-2218-01	8	MDKBP, MDKBR				
	185-7064	10	MDKBS				
5			Washer, Flat (M8)				
	526-2100	8	MDKBP, MDKBR				
	526-2100	10	MDKBS				

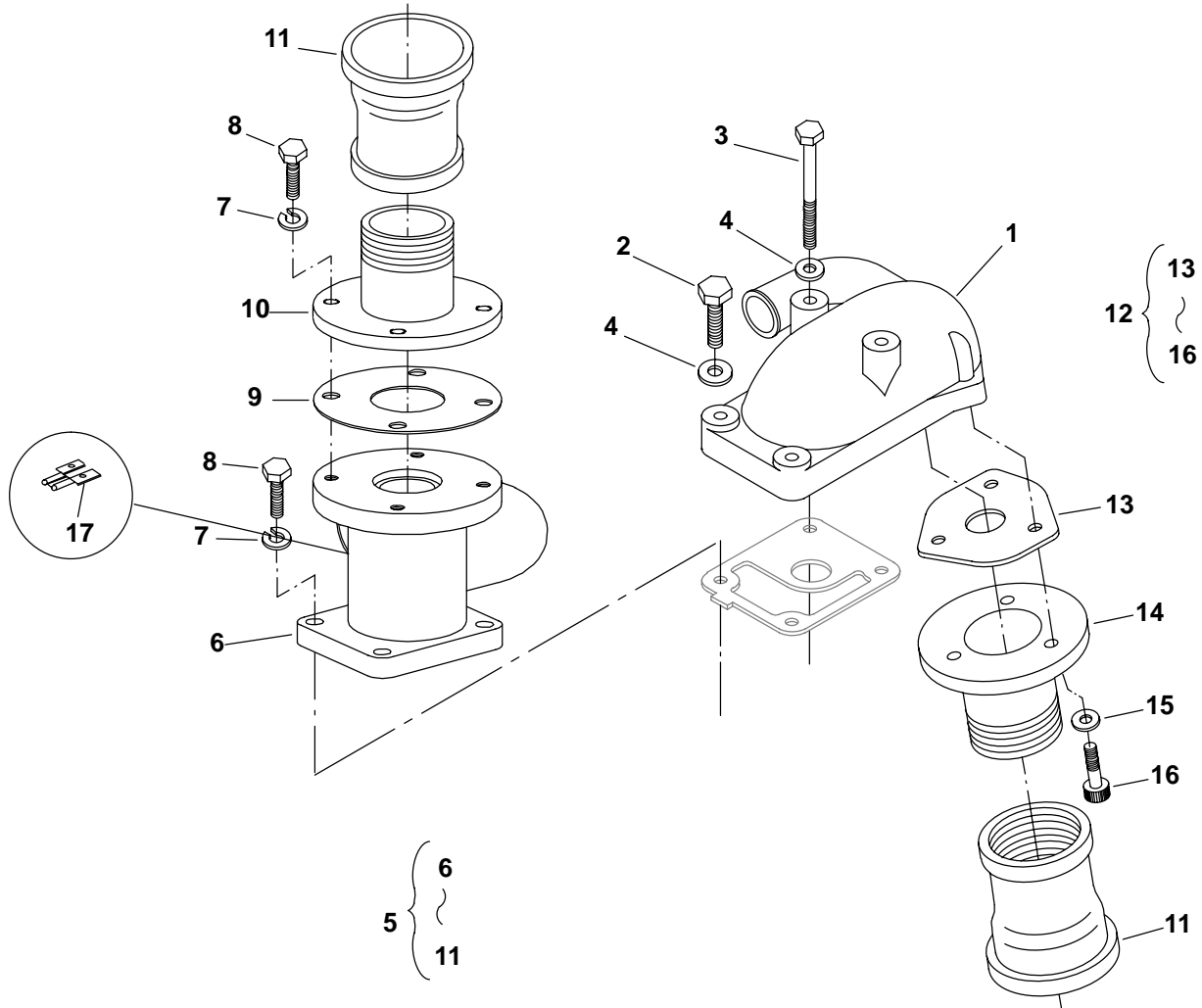
* - Part Included in Exhaust Adapter Kit Found on Dry Exhaust Page.

Wet Exhaust



REF NO.	PART NO.	QTY USED	PART DESCRIPTION	REF NO.	PART NO.	QTY USED	PART DESCRIPTION
			Kit, Exhaust (Wet)	11	309-0597-01	1	Switch, High Exhaust Temperature (S5)
	541-0852-01	1	MDKBP, MDKBR (Rear Out)	12			Hose, Exhaust Front
	541-0852-02	1	MDKBP, MDKBR (Front Out)		503-2344	1	MDKBP, MDKBR
	541-0852-03	1	MDKBS (Rear Out)		503-2345	1	MDKBS
	541-0852-04	1	MDKBS (Front Out)				Rear
	155-3284	1	Kit, Exhaust (Wet)		503-0797-01	1	MDKBP, MDKBR
1	800-2067	2	Screw, Hex Head Cap (M8 x 1.25 x 70mm)		503-0797-02	1	MDKBS
2	526-2100	4	Washer, Flat (M8)	13	821-6006-01	4	Screw, Hex Head Sems Stainless (M6 x 1 x 16mm)
3	718-1040	2	Screw, Hex Head Cap (M8 x 1.25 x 30mm)	14	405-7210	1	Bulkhead, Exhaust Connector
4	154-2891	1	Riser, Exhaust	15	503-1142	4	Clamp, Hose Exhaust
5	860-0008	1	Nut, Hex (8-32)				
6	850-0025	1	Washer, Lock (M8)				
7	155-3061	1	Gasket, Mixer				
8	154-3163	1	Mixer				
9	740-1004	3	Washer, Flat (M6)				
10	802-2068	3	Screw, Socket Cap (M6 x 1 x 20mm)				

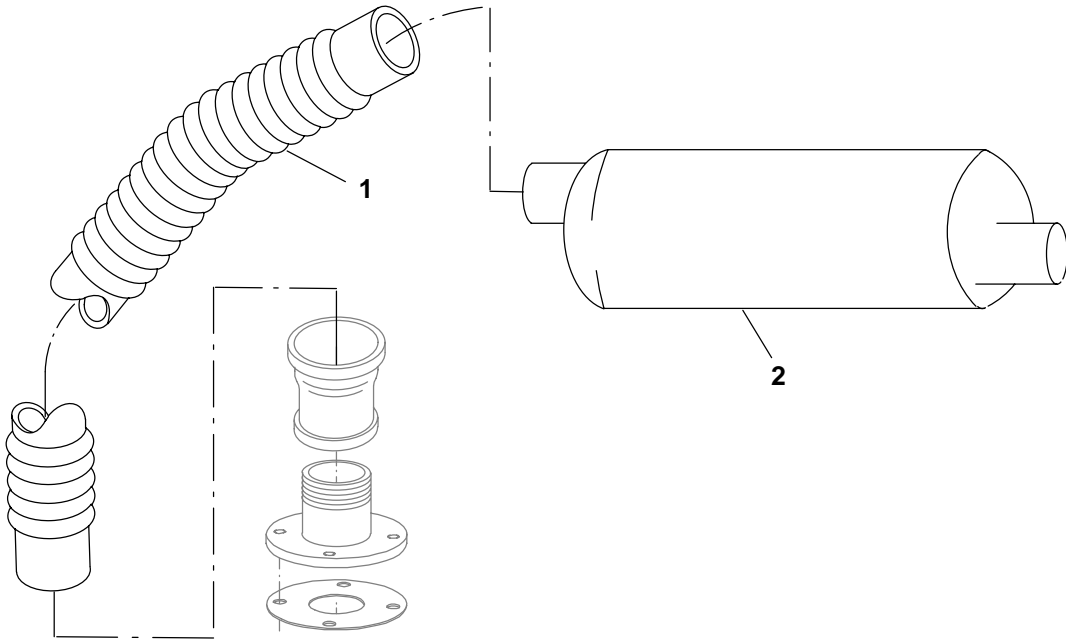
Dry Exhaust (Up or Down)



REF NO.	PART NO.	QTY USED	PART DESCRIPTION	REF NO.	PART NO.	QTY USED	PART DESCRIPTION
1	154-2891	1	Riser, Exhaust	11	505-0339-02	1	*Coupling, Reducer (2 x 1-1/2")
2	718-1040	2	Screw, Hex Head Cap (M8 x 1.25 x 30mm)	12	155-3094	1	Kit, Exhaust Flange (Includes Parts Marked +)
3	800-2067	2	Screw, Hex Head Cap (M8 x 1.25 x 70mm)	13	155-3061	1	+Gasket, Exhaust (Mixer)
4	526-2100	4	Washer, Flat (M8)	14	155-3068-02	1	+Flange, Exhaust
5	155-2980	1	Kit, Exhaust Adapter (Includes Parts Marked *)	15	740-1004	3	+Washer, Flat (M6)
6	154-2963-02	1	*Adapter, Exhaust	16	802-2068	3	+Screw, Allen Socket Cap (M6 x 1 x 20mm)
7	850-2008	8	*Washer, Lock (M8)	17	332-1571	1	Jumper, Temp Switch
8	718-1037	8	*Screw, Hex Head Cap (M8 x 1.25 x 25mm)				
9	155-2981	1	*Gasket, Exhaust Adapter				
10	155-3069-02	1	*Flange, Exhaust				

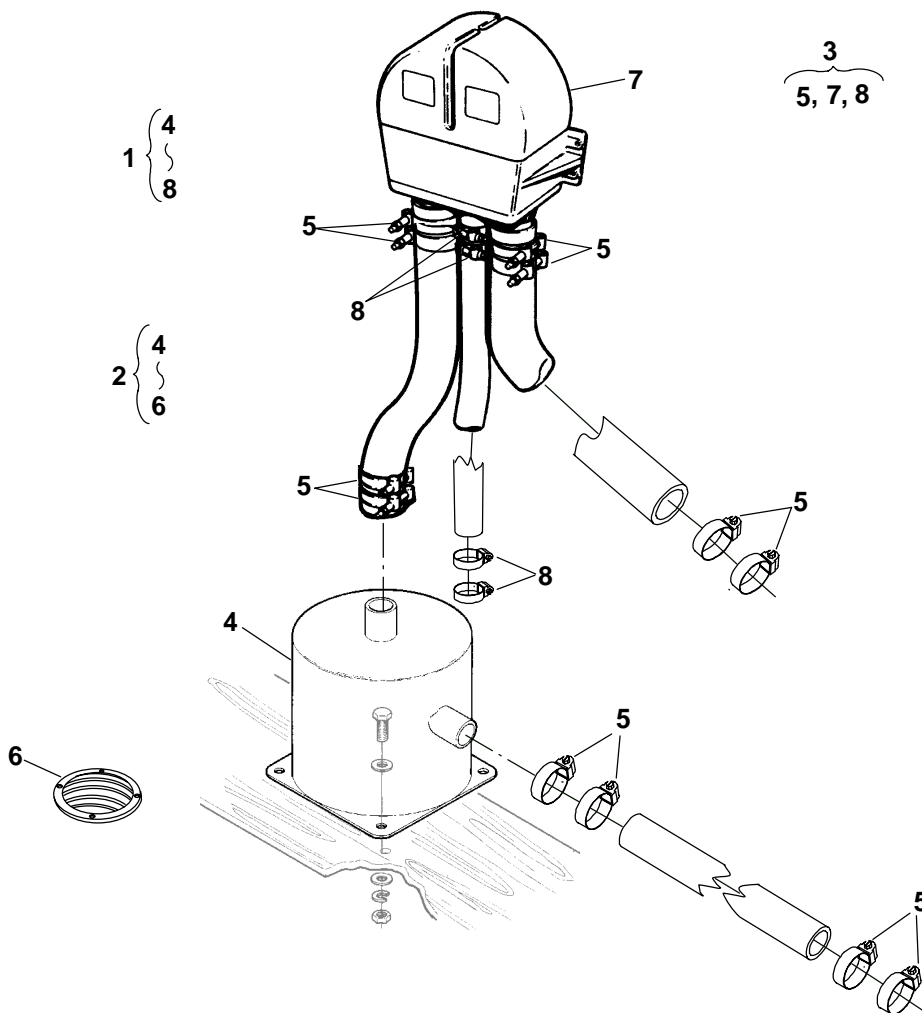
* - Parts Included in Exhaust Adapter Kit. (Also Includes Gasket on Exhaust Manifold Page.)
 + - Parts Included in Exhaust Flange Kit.

Muffler



REF NO.	PART NO.	QTY USED	PART DESCRIPTION
1	155-2355-04	1	Tube, Flexible Exhaust (2")
2	155-2063-09	1	Muffler, Dry Exhaust (Up) (2") Industrial
	155-2064-09	1	Critical

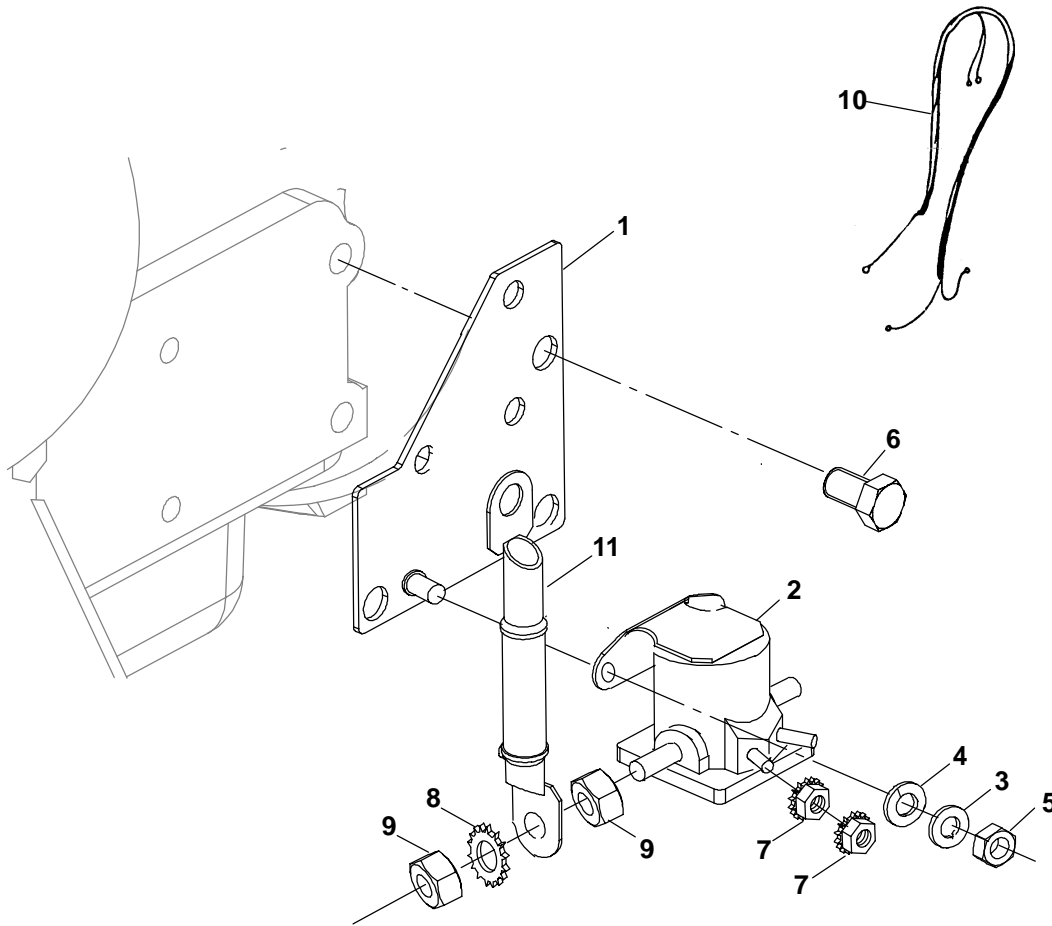
Water Separator, Muffler



REF NO.	PART NO.	QTY USED	PART DESCRIPTION	REF NO.	PART NO.	QTY USED	PART DESCRIPTION
1			Kit, Muffler, Separator (Includes Parts Marked *)	5			Clamp, Hose (2") MDKBP, MDKBR
	155-3217	1	MDKBP, MDKBR	503-1133	8	+	Muffler Kit (2")
	155-3223	1	MDKBS	503-1133	4	#	Separator Kit (2")
2			Kit, Muffler (Includes Parts Marked +)	503-1133	10	*	Muffler, Separator Kit (2") MDKBS
	155-2030	1	MDKBP, MDKBR	503-1133	8	+	Muffler Kit (2-1/2")
	155-3222	1	MDKBS	503-1133	4	#	Separator Kit (2")
3			Kit, Water Separator (Includes Parts Marked #)	503-1133	10	*	Muffler/Separator Kit (2")
	155-3216	1	MDKBP, MDKBR	6	155-1002	1	*+Strainer, Water Pickup
	155-3224	1	MDKBS	7			*#Separator, Water
4			*+Muffler, Marine	155-3218	1		(2")MDKBP, MDKBR
	155-2029	1	MDKBP, MDKBR	155-3221	1		(2-1/2")MDKBS
	155-3220	1	MDKBS	8	503-1139	4	*#Clamp, Hose (1-1/2")

* - Parts Included in Muffler/Separator Kit.
 + - Parts Included in Muffler Kit.
 # - Parts Included in Water Separator Kit.

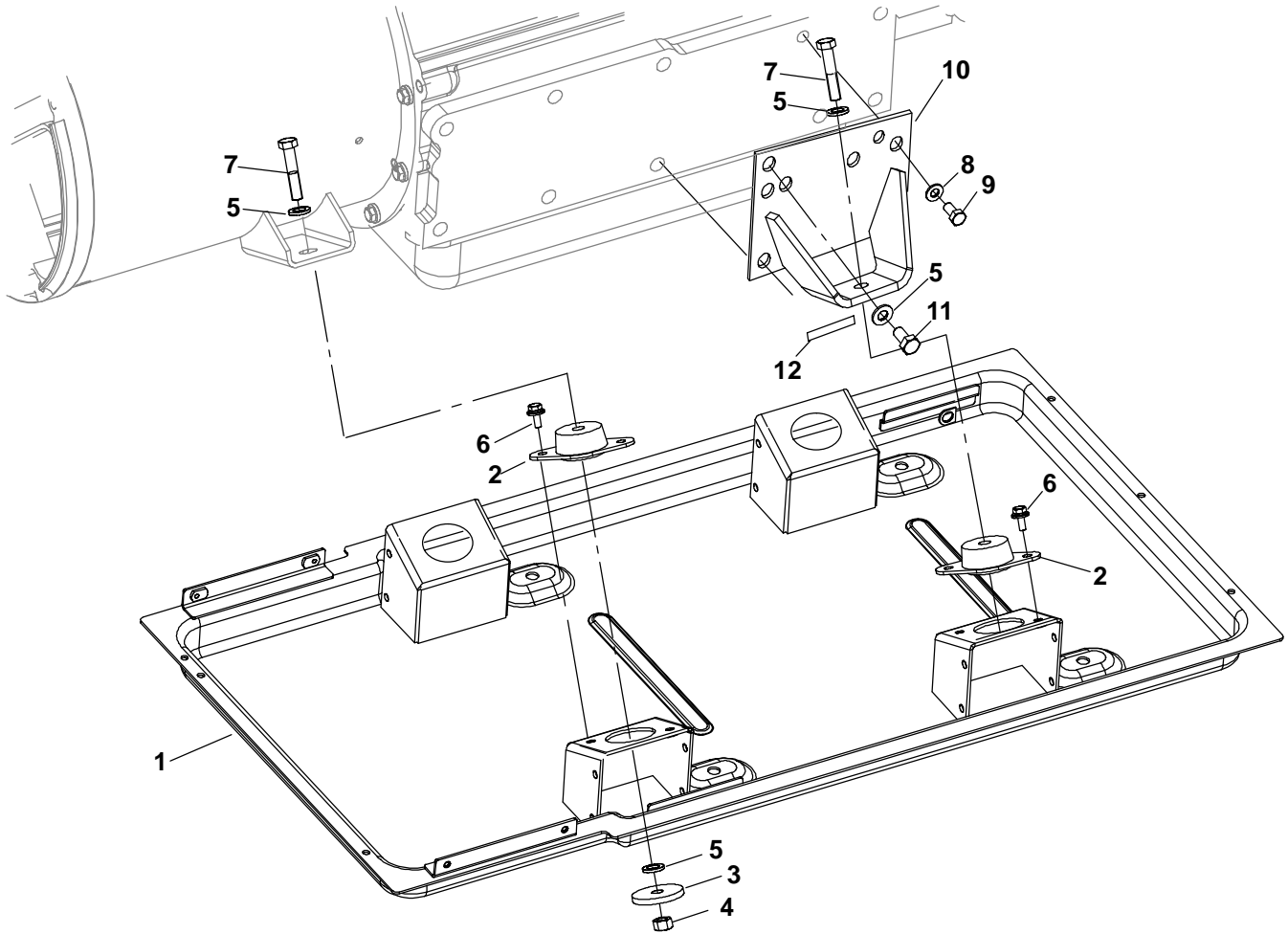
Isolated Ground



REF NO.	PART NO.	QTY. USED	PART DESCRIPTION	REF NO.	PART NO.	QTY. USED	PART DESCRIPTION
			Kit Isolated Ground (Includes Screws, Sending Units and Harness)	6	800-3031	3	Screw, Hex Head Cap (M12 x 1.25 x 20)
	541-0823	1	12V	7	870-0131-01	2	Nut, ET Hex (#10-32) (12V)
	541-0824	1	24V	8	853-0016	2	Washer, ET Lock (5/16")
1	333-0662-02	1	Bracket, Solenoid	9	862-0026-30	2	Nut, Hex (5/16-24)
2			*Relay, Solenoid	10	338-4200-01	1	Harness, Isolated Ground
	307-1617	1	12V	11	338-4200-02	1	Harness, Ground
	307-2656	1	24V				
3	526-0399-58	2	Washer, Flat (M6)				
4	850-0114-53	2	Washer, Split Lock (M6)				
5	862-0026-54	2	Nut, Hex (M6)				

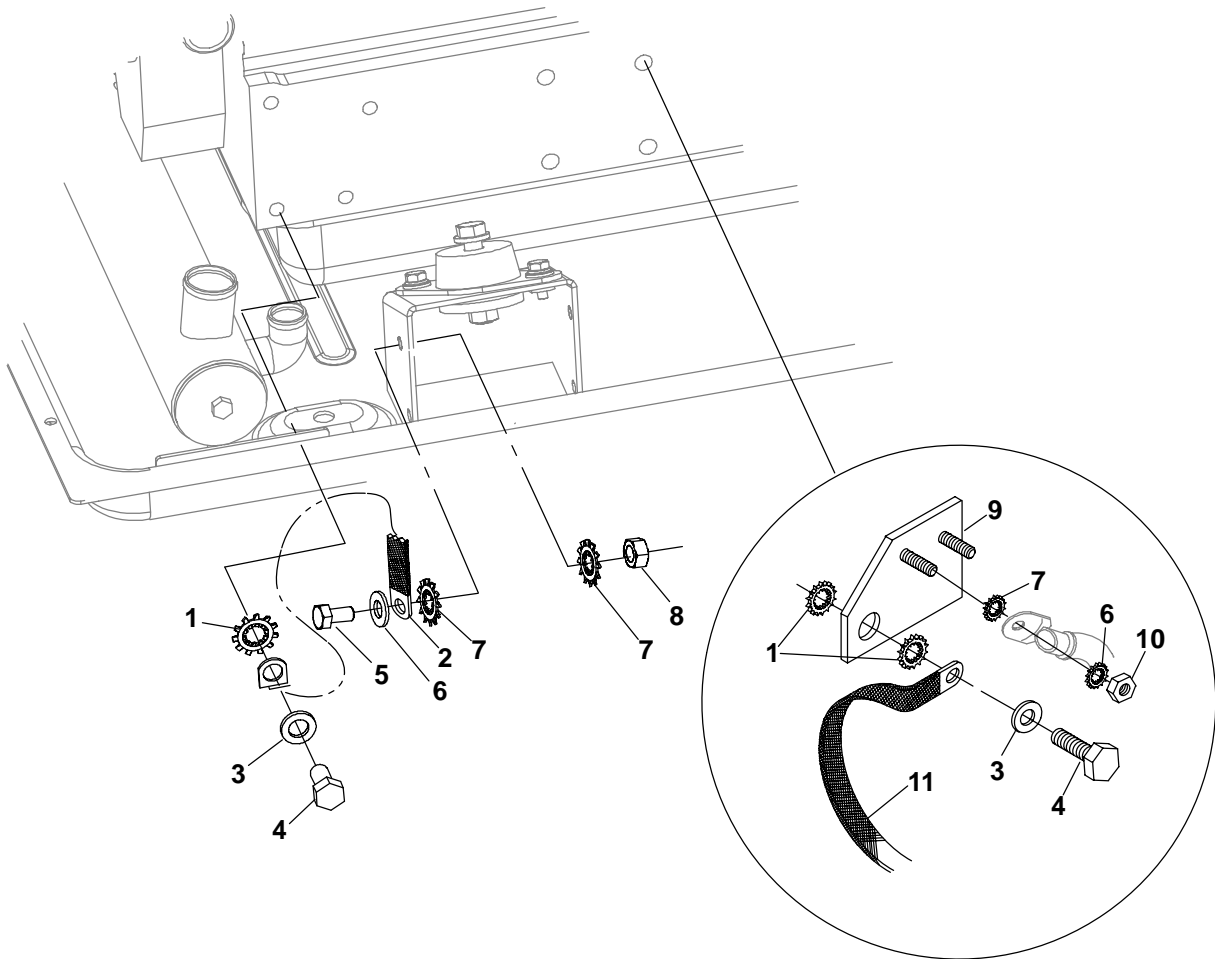
* - Relay Solenoid ties to B- and K9-1 Isolated Ground
Harness (338-4200-01)

Mounting Base



REF NO.	PART NO.	QTY USED	PART DESCRIPTION	REF NO.	PART NO.	QTY USED	PART DESCRIPTION
1			Base, Generator Mounting	6	821-6003-01	8	Screw, Hex Head Cap (M8 x .25 x 16mm)
	403-4581-02	1	MDKBP, MDKBR	7	800-2118	4	Screw, Hex Head Cap (M12 x 1.75 x 60mm)
	403-4624-02	1	MDKBS	8	526-2120	1	Washer, Rocker Ball (MDKBS)
2			Isolator, Mounting	9	800-3030	1	Screw, Hex Head Cap (MDKBS) (M10 x 1.25 x 20mm)
			W/O PTO	10			Mount, Engine
	403-3573	4	MDKBP, MDKBR		403-4059-03	1	MDKBS
	403-3955	4	MDKBS		403-3972-03	1	MDKBS
			With PTO		403-4059-03	2	MDKBP, MDKBR
	403-3573	2	MDKBP, MDKBR	11			Screw, Hex Head Cap (M12 x 1.25 x 20mm)
	403-3955	2	MDKBP, MDKBR		800-3031	7	without PTO
	403-3955	2	MDKBS		800-3031	1	with PTO
	403-4091	2	MDKBS	12	508-0239	4"	Edging
3	526-0172	4	Washer, Flat (M12)				
4	860-2010	4	Nut, Hex Machine (M12 x 1.75mm)				
5			Washer, Flat (M12)				
	526-2140	19	Without PTO				
	526-2140	13	With PTO				

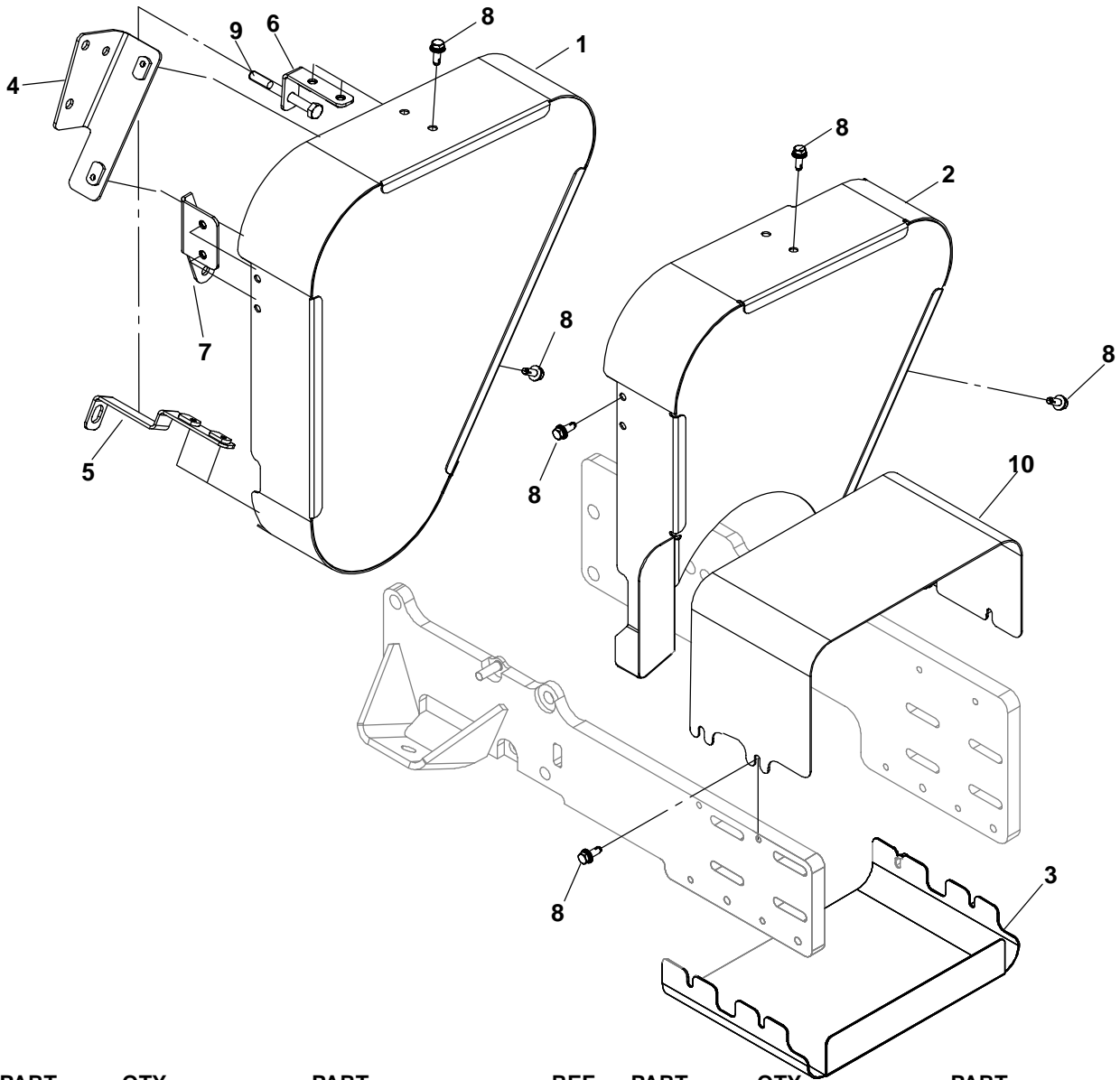
Grounding System



REF NO.	PART NO.	QTY USED	PART DESCRIPTION
1	856-0013	3	Washer, EIT Lock (1/2")
2	337-2785	1	Strap, Bond
3	526-2140	2	Washer, Flat (M12)
4	800-3032	1	Screw, Hex Head Cap (M12 x 1.25 x 30mm)
5	800-2057	1	Screw, Hex Head Cap (M8 x 1.25 x 20mm)
6	526-2100	2	Washer, Flat (M8)

REF NO.	PART NO.	QTY USED	PART DESCRIPTION
7	856-0008	2	Washer, EIT Locking (5/16")
8	860-2008	1	Nut, Hex (M8 x 1.25mm)
9	337-2784-02	1	Bar, Bus
10	871-0025	1	Nut, Hex Brass (5/16-18")
11	337-0090-02	1	Strap, Electrical

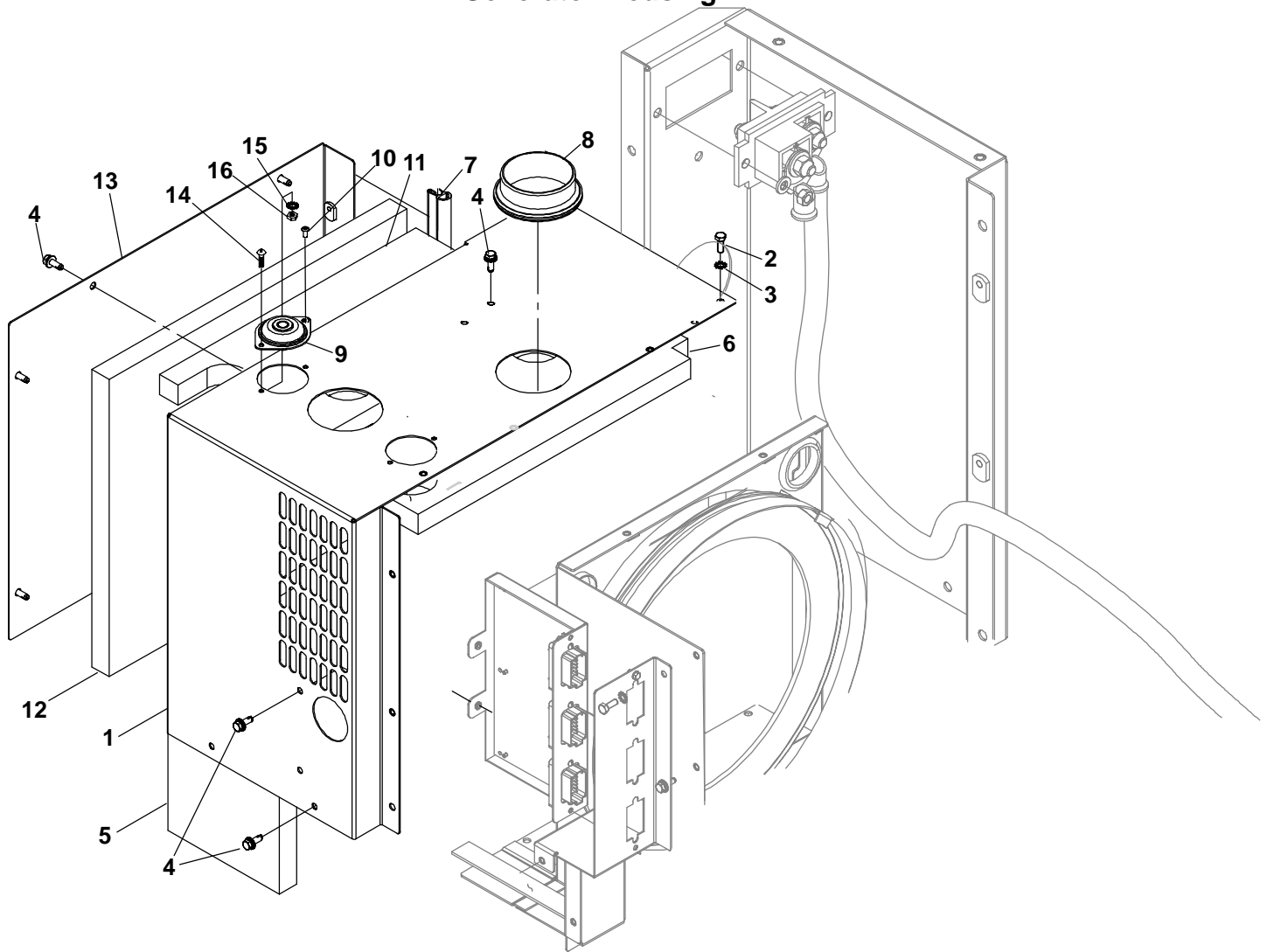
Belt Guard and PTO Belt Guard



REF NO.	PART NO.	QTY USED	PART DESCRIPTION	REF NO.	PART NO.	QTY USED	PART DESCRIPTION
	541-0837-01	1	Kit, Belt Guard (Neg Ground) (Includes Parts Marked*)	7	130-4381-03	1	*+~Bracket, Guard
	541-0837-02	1	Kit, Belt Guard (ISO Ground) (Includes Parts Marked+)	8	821-6006-01	8	*+~Screw, Hex Head Cap (M6 x 12) Negative Ground
	541-0837-03	1	Kit, Belt Guard (PTO) (Includes Parts Marked~)		821-6006-01	4	Isolated Ground
1			Guard, Belt W/O PTO		821-6006-01	14	PTO
	130-4652-03	1	Negative Ground	9	718-1047	1	*~Screw, Hex Head Cap (M6 x 1.25 x 75mm) Neg Ground and PTO
	130-4714-03	1	Isolated Ground	10	130-5469-03	1	~Coupling, Guard / PTO
2	130-5471-03	1	~Guard, Belt W/PTO	11	98-4798-01	1	*+~Label, Warning
3	130-5470-03	1	~Coupling Guard W/PTO				
4			Bracket, Guard				
	130-4382-03	1	*~ Negative Ground/PTO				
	130-4411-03	1	+ Isolated Ground				
5	130-4491-03	1	*Bracket, Guard (Negative Ground)				
6	130-4492-03	1	*~Bracket, Guard (Negative Ground/PTO)				

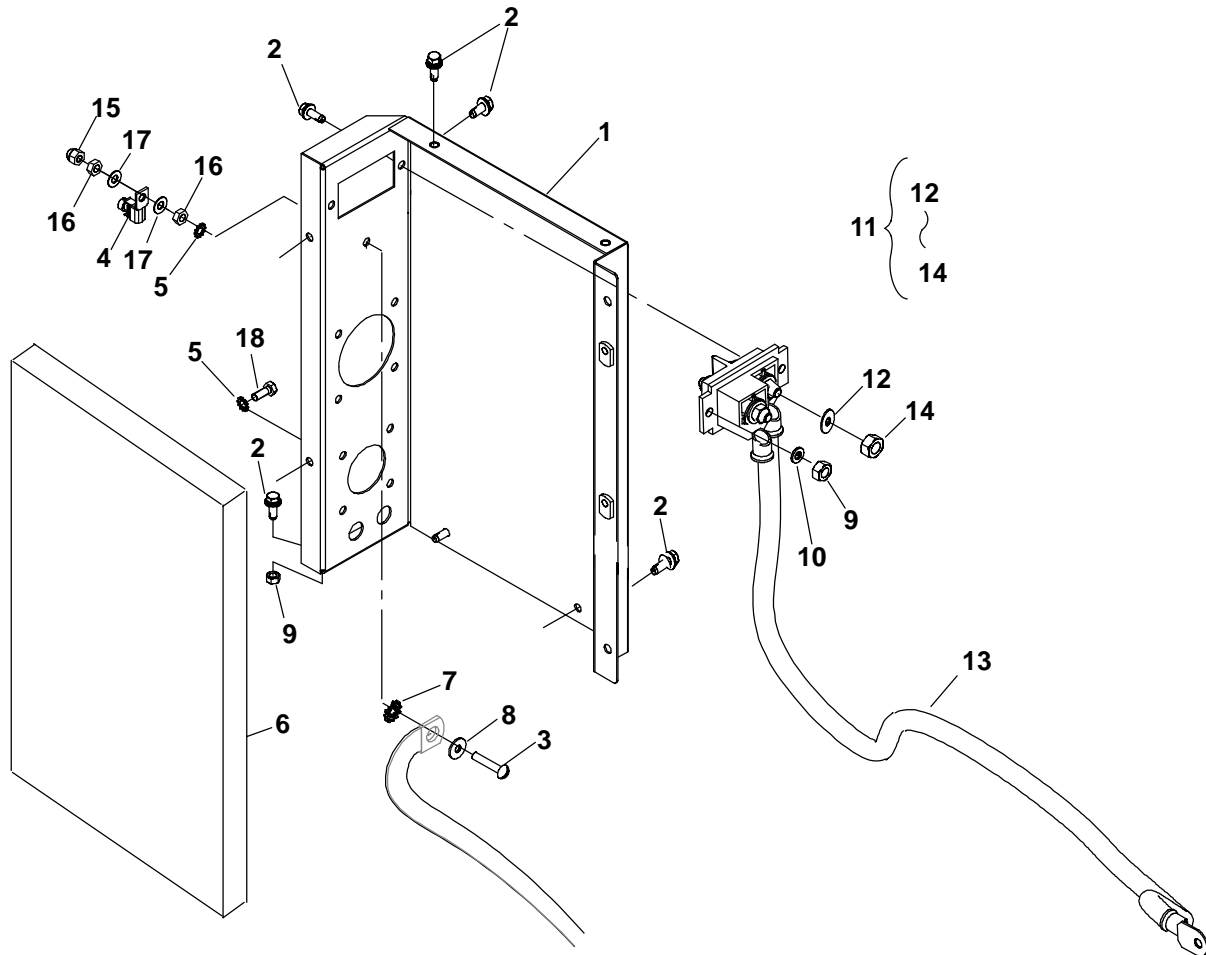
All Parts are for Unhoused Units Only
 * - Parts Included in Negative Gnd Belt Guard Kit
 + - Parts Included in ISO Gnd Belt Guard Kit
 ~ - Parts Included in PTO Belt Guard Kit

Generator Housing



REF NO.	PART NO.	QTY USED	PART DESCRIPTION	REF NO.	PART NO.	QTY USED	PART DESCRIPTION
1	405-6491-03	1	Panel, Housing Single Phase	7	895-0402	1	Seal, Weather (1.21')
	405-7429-03	1	Three Phase	8	508-1152	2	Grommet, Rubber
2	800-6033	3	Screw, Hex Head Cap (M6 x 1 x 16mm)	9	402-0681-01	3	Isolation, Vibration
3	853-2006	3	Washer Lock ET (M6)	10	818-0231-01	5	Rivet, Pop
4	821-6006-01	10	Screw, Hex Head Stainless (M6 x 1.0 x 16mm)	11	405-6686	1	Insulation, Panel (Top)
5			Insulation, Panel (Side)	12	405-6689	1	Insulation, Panel (Rear)
	405-6684	1	Single Phase	13	405-7208-03	1	Cover, Enclosure (Rear)
	405-7430	1	Three Phase	14	813-0100	1	Screw, Slotted Round Head (#10-32 x .50)
6	405-6685	1	Insulation, Panel (Top)	15	856-0003	1	Washer, EIT Lock (#10)
				16	870-0131	1	Nut, Sems

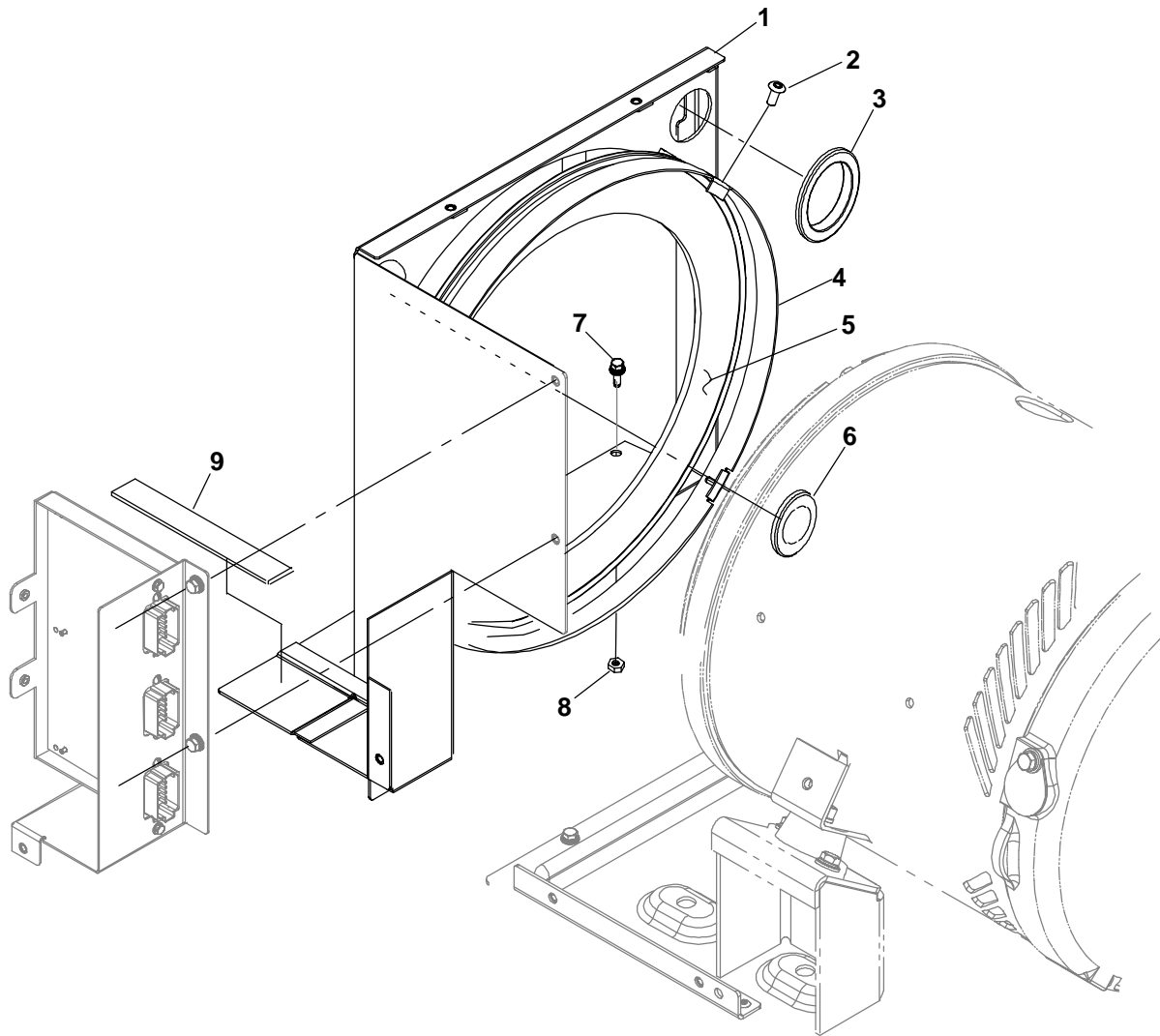
Generator Housing Panel



REF NO.	PART NO.	QTY. USED	PART DESCRIPTION	REF NO.	PART NO.	QTY. USED	PART DESCRIPTION
	541-1004	1	Kit, Panel (Gen)	12	526-0054	2	*Washer, Flat Brass (5/16")
1	405-6492-03	1	Panel, Housing	13			*Cable, Welding
2	821-6006-01	7	Screw, Hex Sems Stainless Steel (M6 x 1 x 16mm)		334-0935-03	1	6.58' (MDKBP, MDKBR)
3	810-0155	1	Screw, Round Head Brass (1/4-20 x 1-1/4)		334-0935-04	1	8' (MDKBS)
4	332-0142	1	Lug, Solderless	14	871-0025	2	*Nut, (5/16-18")
5	853-2006	2	Washer, ET (M6)	15	860-2036	1	Nut, Hex Acorn (1/4-20 Nylon)
6	405-6682	1	Insulation, Sound	16	871-0016	2	Nut, Hex Brass (1/4-20)
7	856-0006	1	Washer, EIT (1/4")	17	526-0052	2	Washer, Flat (1/4")
8	526-2083	1	Washer, Flat (M6)	18	800-6033	3	Screw, Hex Head Cap (M6 x 1 x 16mm)
9	860-2057	4	Nut, Hex (M6)				
10	526-2081	2	Washer, Flat				
11	338-4176-03	1	Harness, Battery (Includes Parts Marked *)				

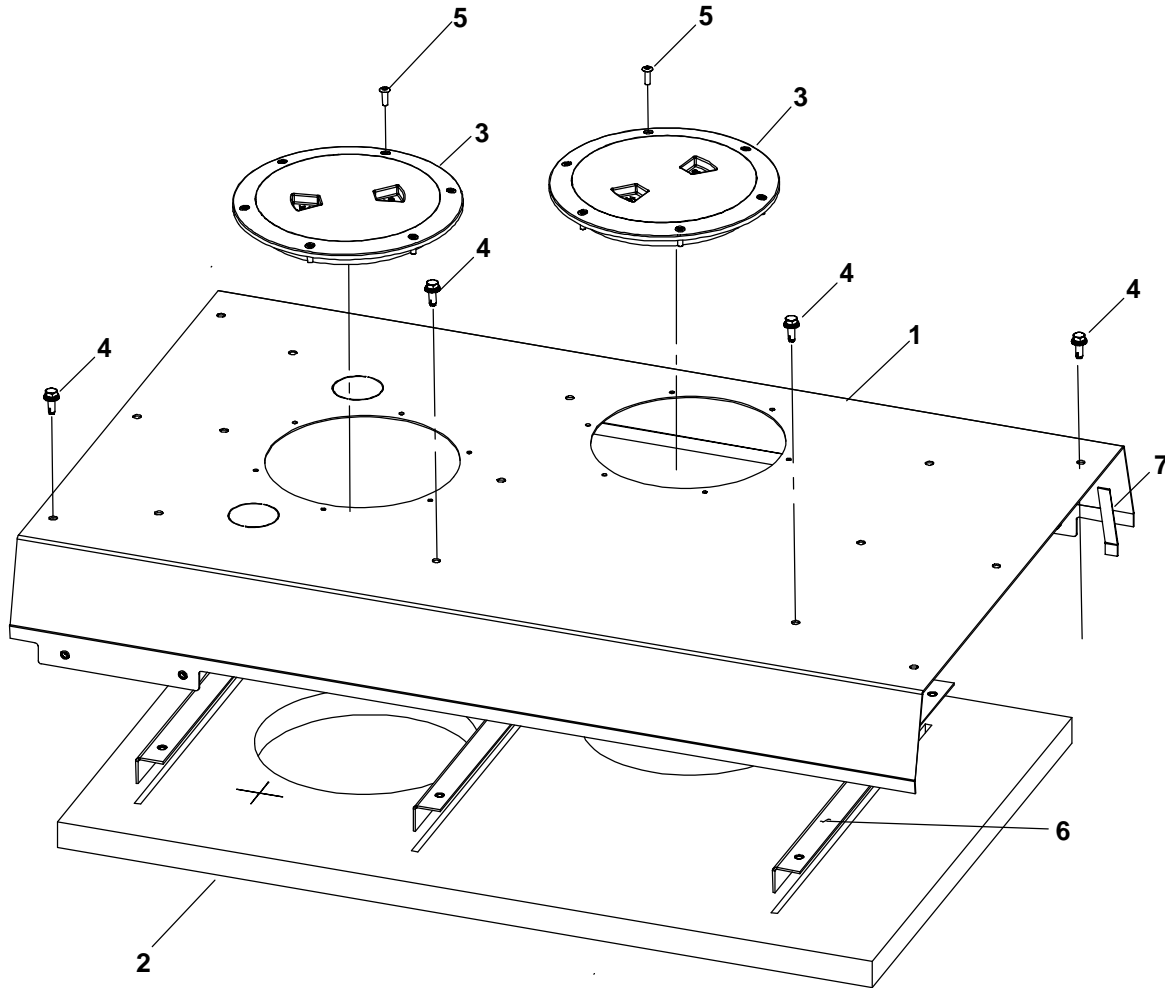
* - Parts Included in Battery Harness

Generator Baffle



REF NO.	PART NO.	QTY. USED	PART DESCRIPTION	REF NO.	PART NO.	QTY. USED	PART DESCRIPTION
1	405-7038-03	1	Baffle, Generator	6	517-0138-07	1	Plug, Hole
2	823-0002-02	4	Screw, Torx Thread Form (M4 x 0.7 x 8mm)	7	821-6006-01	4	Screw, Hex Head Sems Stainless (M6 x 1.0 x 16mm)
3	508-0051	1	Grommet, Rubber (MDKBP, MDKBR)	8	860-2057	2	Nut, Hex Head (M6 x 1mm)
4	405-7164-02	1	Bracket, Baffle	9	895-0308	7"	Tape, Polyurethane (MDKBS)
5	509-0368	1	Seal, Brush				

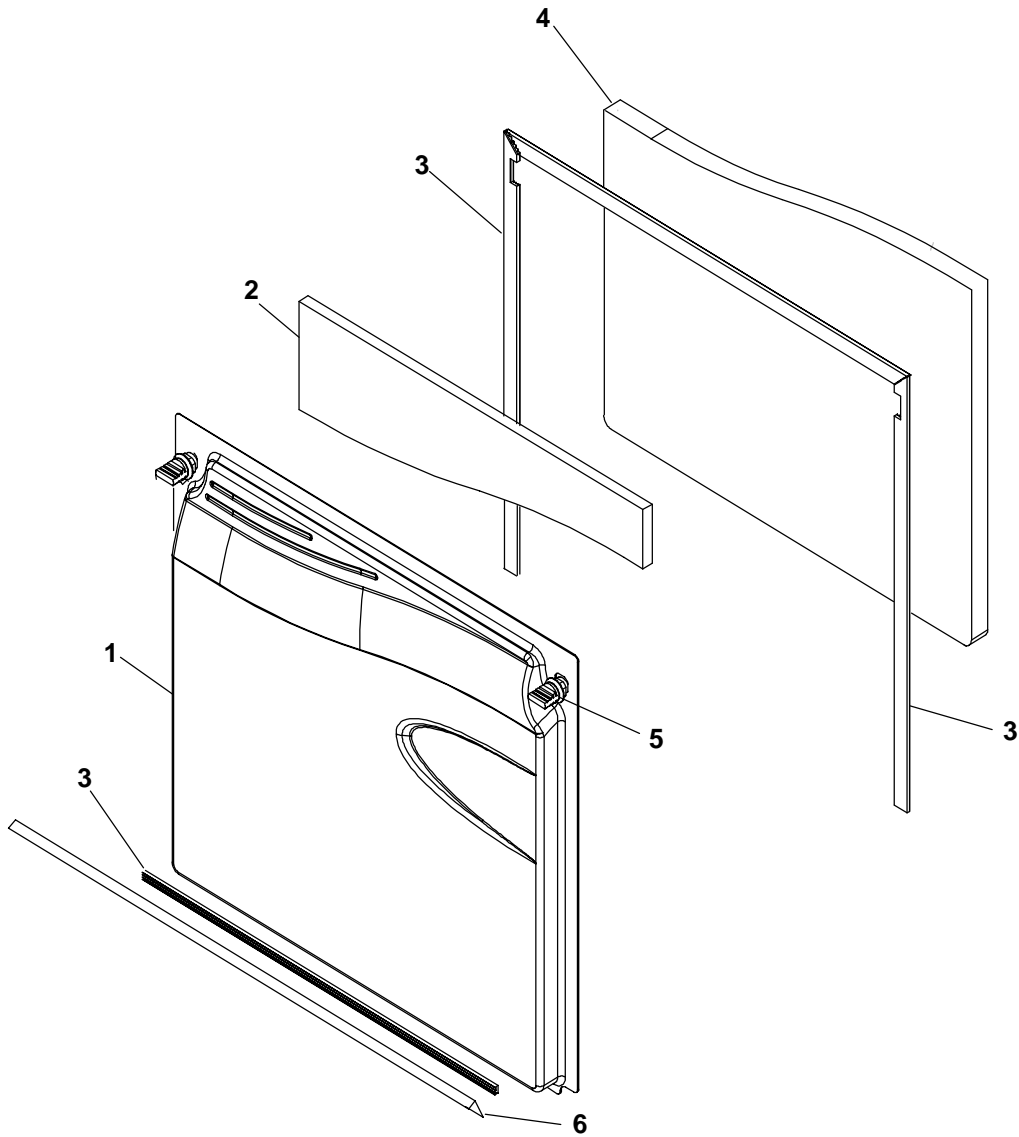
Engine Sound Shield



REF NO.	PART NO.	QTY. USED	PART DESCRIPTION	REF NO.	PART NO.	QTY. USED	PART DESCRIPTION
			Kit, Sound Shield (Complete, Includes Roof, Doors, Ends And Insulation, Refer to Following Pages)	3	405-6340	2	*Cover, Access
				4			Screw, Hex Head Sems (M6 x 1 x 16mm) (MDKBP, MDKBR)
	541-0830-01	1	MDKBP, MDKBR		821-6006-01	15	(MDKBP, MDKBR)
	541-0830-02	1	MDKBS		821-6006-01	6	(MDKBS)
			Kit, Roof Panel (Includes Parts Marked *)	5	818-0239-03	12	Rivet, Pop
	405-7359-01	1	MDKBP, MDKBR	6	405-7345-02	3	*Stiffener, Enclosure (MDKBP, MDKBR)
	405-7359-02	1	MDKBS	7	405-5052	4	*Gasket, Baffle
1			*Panel, Roof				
	405-6870-03	1	MDKBP, MDKBR				
	405-6971-03	1	MDKBS				
2			*Insulation, Roof				
	405-6990	1	MDKBP, MDKBR				
	405-6991	1	MDKBS				

* - Parts Included in Roof Panel Kit.

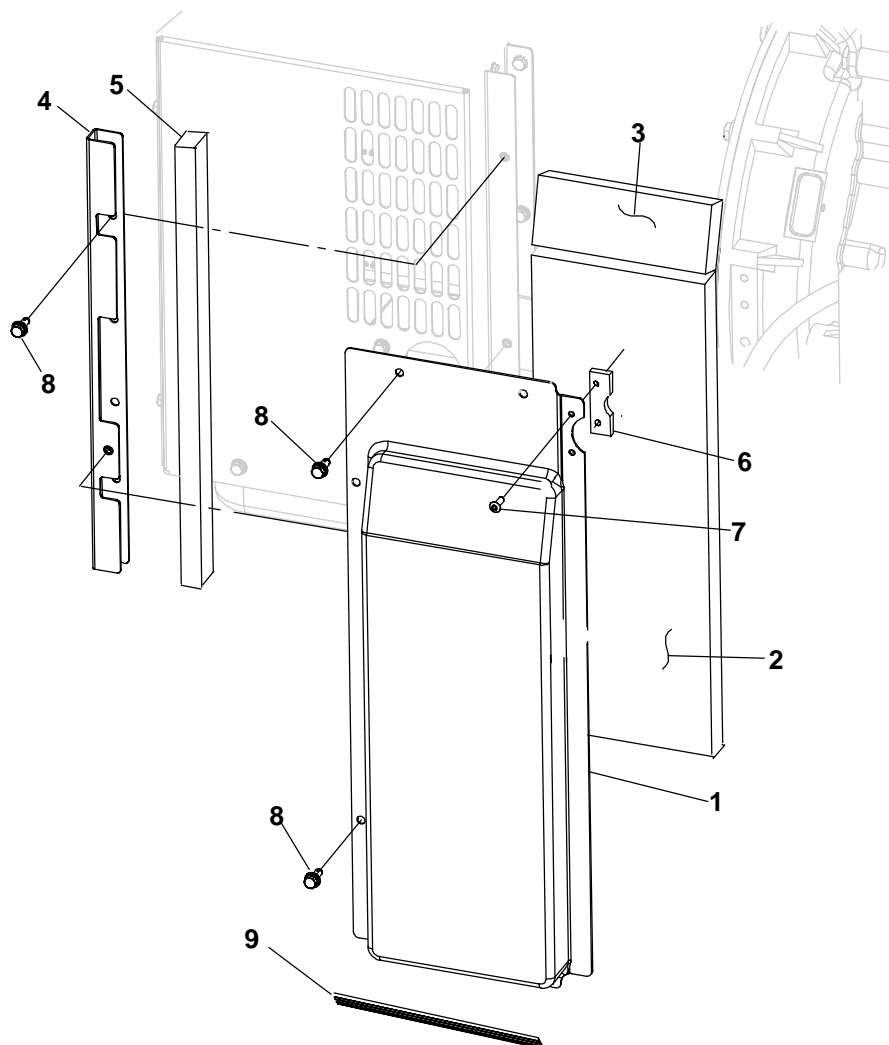
Engine Panel Sound Shield



REF NO.	PART NO.	QTY. USED	PART DESCRIPTION	REF NO.	PART NO.	QTY. USED	PART DESCRIPTION
	405-6957-01	1	Kit, Door (Includes Parts Marked *)	5	406-0958	2	*Latch, Door (1/4 Turn)
1	405-6519-03	2	*Door, Sound Shield	6			*Seal, Weather
2	405-6797	2	*Insulation, Door		895-0411	5.6'	MDKBP, MDKBR
3			Seal, Weather		895-0411	7.1'	MDKBS
	895-0395	25'	MDKBP, MDKBR				
	895-0395	26.4'	MDKBS				
4	405-6687	2	*Insulation, Door				

* - Parts Included in Door Kit.

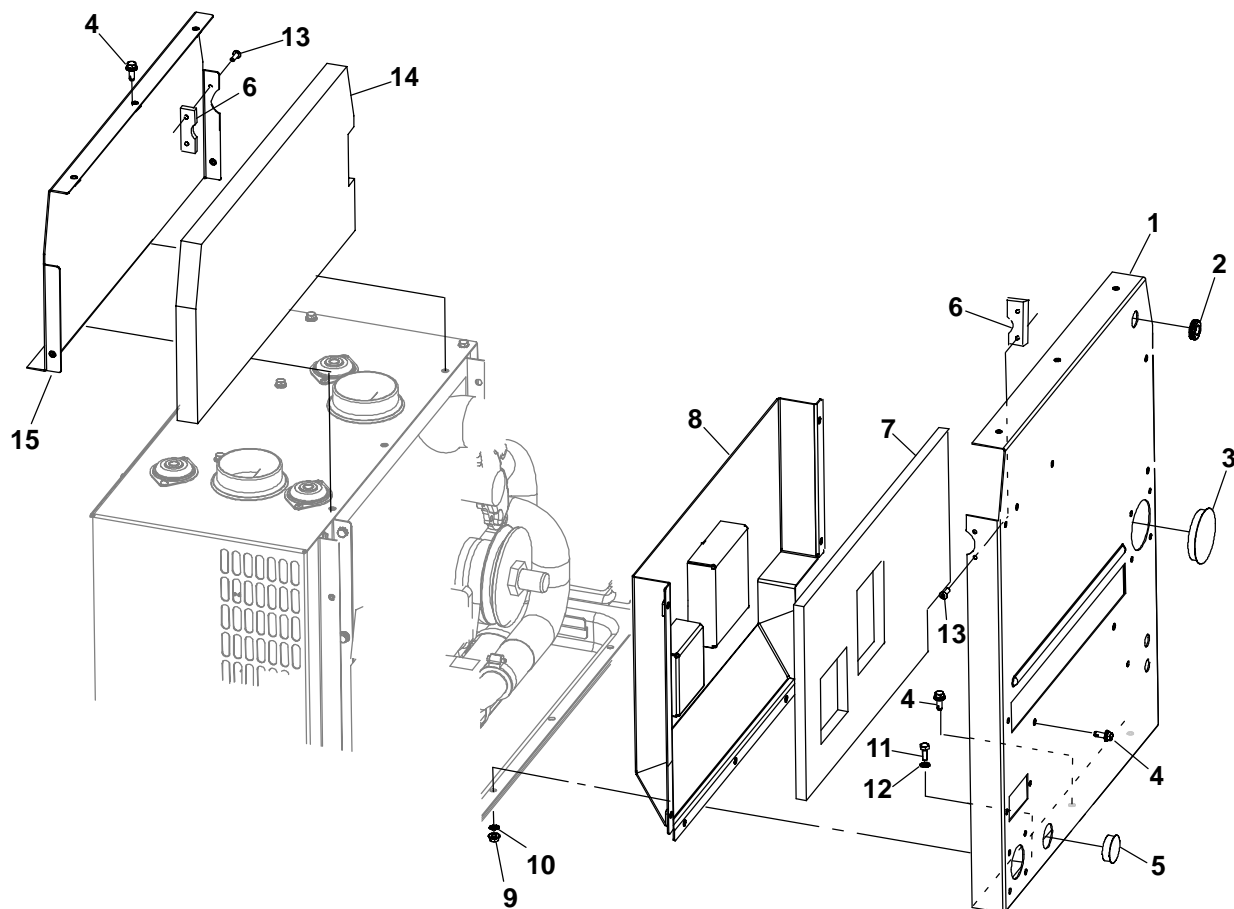
Engine Panel Sound Shield



REF NO.	PART NO.	QTY. USED	PART DESCRIPTION	REF NO.	PART NO.	QTY. USED	PART DESCRIPTION
			Kit, Access Panel (Includes Parts Marked *)	4	405-7104-03	2	Spacer, Panel
	405-7357-01	1	MDKBP, MDKBR	5	405-7347	1	*Insulation
	405-7357-02	1	MDKBS	6	406-1032	4	*Catch, Door
1			*Panel, Access	7	818-0217-03	4	*Rivet
	405-6972-03	2	MDKBP, MDKBR	8	821-6006-01	12	Screw, Hex Head Sems Stainless (M6 x 1 x 16mm)
	405-7102-03	2	MDKBS	9			*Seal, Weather
2			*Insulation, Access Panel Sound Lower	895-0395		AR	MDKBP, MDKBR (25')
	405-6995-01	2	MDKBP, MDKBR	895-0395		AR	MDKBS (26.4')
	405-6995-02	2	MDKBS	* - Parts Included in Access Panel Kit.			
3			*Insulation, Access Panel Sound, Upper				
	405-6993-01	2	MDKBP, MDKBR				
	405-6993-02	2	MDKBS				

Engine Panel Sound Shield (Front and Rear with out PTO)

Rear



Front

REF NO.	PART NO.	QTY. USED	PART DESCRIPTION	REF NO.	PART NO.	QTY. USED	PART DESCRIPTION
	541-1005	1	Kit, Enclosure Panel (Includes Parts Marked #)	8	405-7350-03	1	+ Panel, Duct (W/O PTO)
	405-7358-01	1	Kit, Enclosure Panel (Includes Parts Marked *)	9	860-2021	3	Nut, Lock Flanged (M6 x 1mm)
	405-7360	1	Kit, Duct Panel (Includes Parts Marked +)	10	850-2056	4	Washer, (M6)
	405-7361	1	Kit, Roof Panel (Includes Parts Marked-)	11	800-6033	1	Screw, Hex Head (M6 x1 x 16mm)
1	405-6868-03	1	##Panel, Enclosure (Front W/O PTO)	12	853-2006	1	Washer, Lock ET (M6)
2	508-0021	1	#Grommet	13	818-0231-01	4	~*Rivet
3	517-0138-09	1	##Plug, Hole	14	405-7179	1	~Insulation, Roof End
4	821-6006-01	13	#Screw, Hex Head Sems Stainless (M6 x1 x 16mm)	15	405-6871-03	1	~Panel, Roof End
5	517-0138-04	1	*Plug, Hole				
6	406-1032	4	*~Catch, Door				
7	405-6992	1	+Insulation, Duct (W/O PTO)				

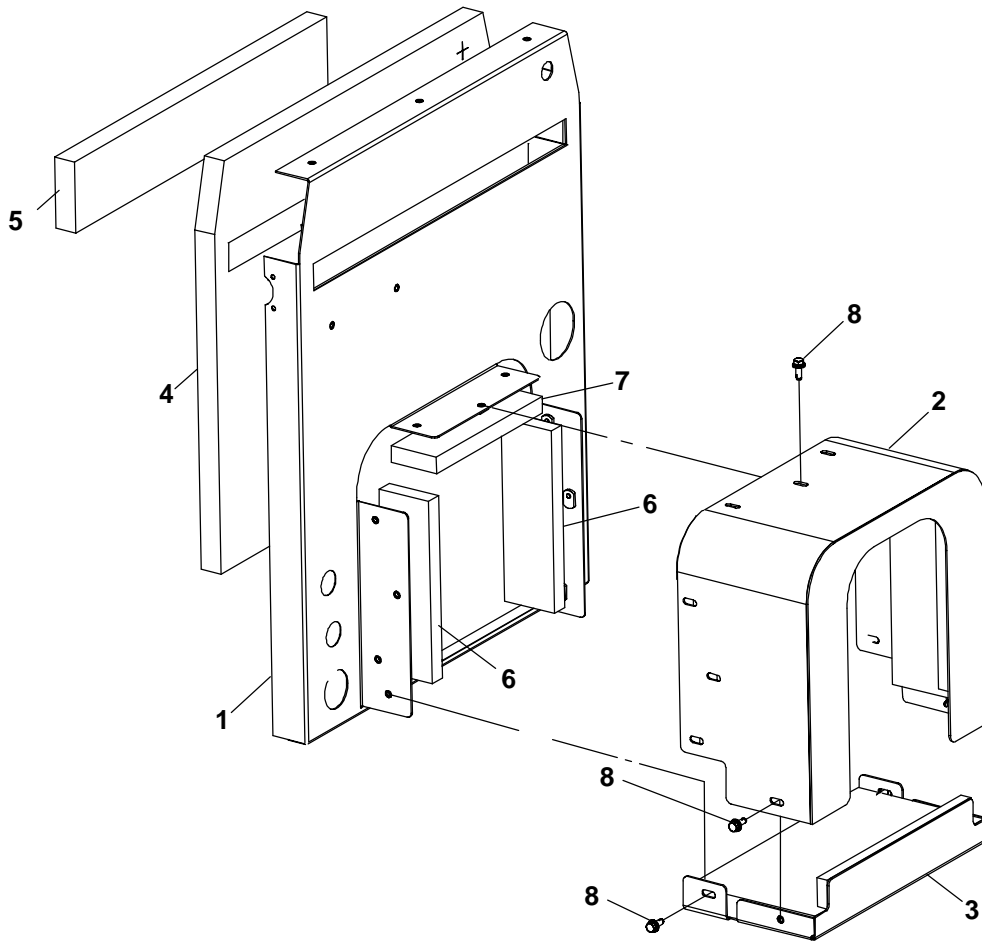
* - Parts Included in Enclosure Panel Kit MDKBP, MDKBR, MDKBS.

+ - Parts Included in Duct Panel Kit MDKBP, MDKBR, MDKBS.

~ - Parts Included in Roof Panel Kit MDKBP, MDKBR, MDKBS.

“Blank Page”

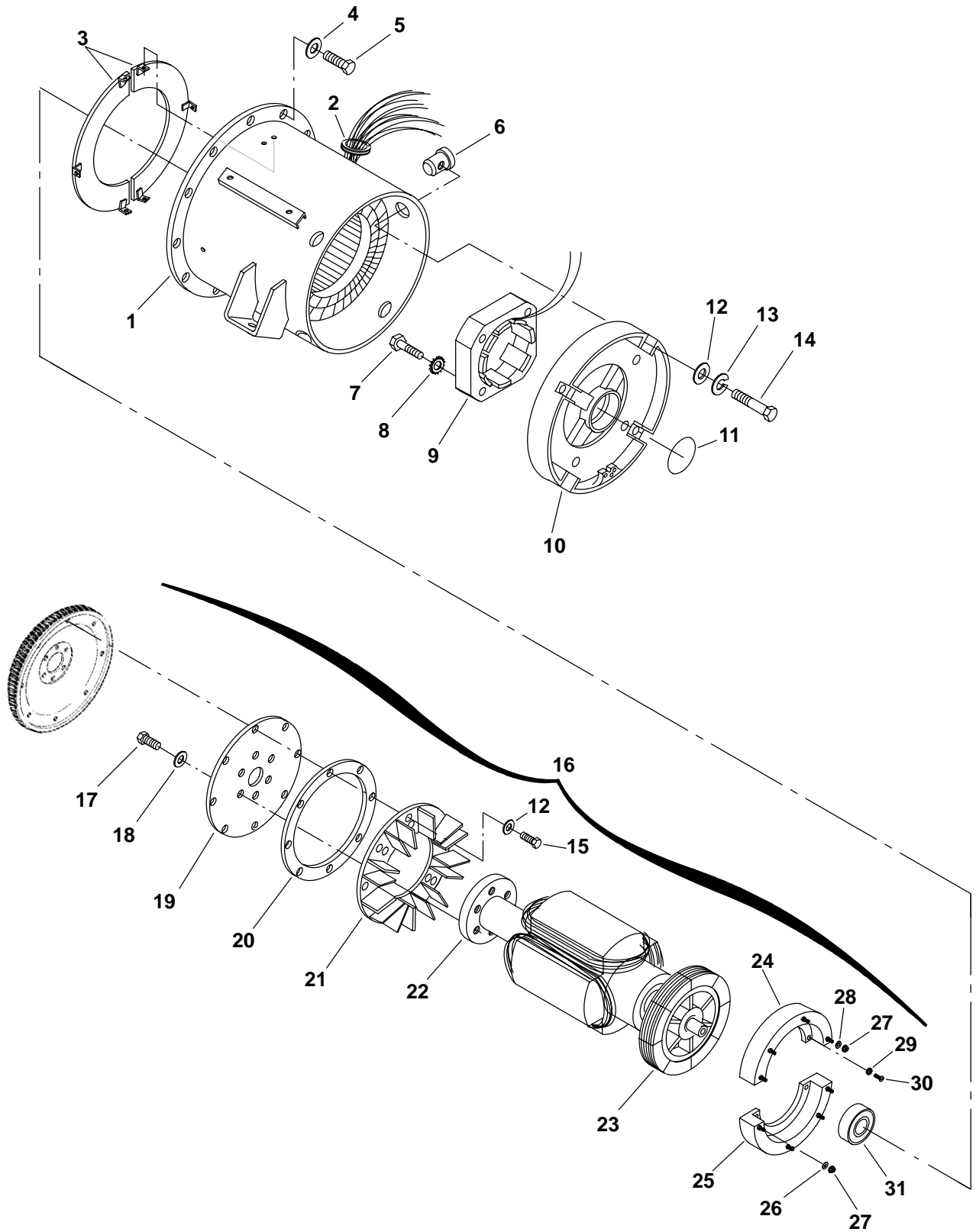
Engine Panel Sound Shield (Front w/PTO)



REF NO.	PART NO.	QTY. USED	PART DESCRIPTION	REF NO.	PART NO.	QTY. USED	PART DESCRIPTION
	405-7358-02	1	Kit, Panel Enclosure (Includes Parts Marked *)	7	405-6867	1	*+Insulation, Sound
	190-0778	1	Kit, Coupling Guard (Includes Parts Marked +)	8	821-6006-01	15	+Screw, Hex Head Sems Stainless (M6 x1 x 16mm)
1	405-7230-03	1	*+Panel, Enclosure				
2	405-6812-02	1	+Guard, Coupling				
3	405-6817	1	+Guard, Coupling (Lower)				
4	405-7231	1	*+Insulation, Sound				
5	405-5010-02	1	*Insulation				
6	405-6866	2	*+Insulation, Sound				

* - Parts Included in Enclosure Panel Kit with PTO.
+ - Parts Included in Coupling Guard Kit with PTO.

Generator

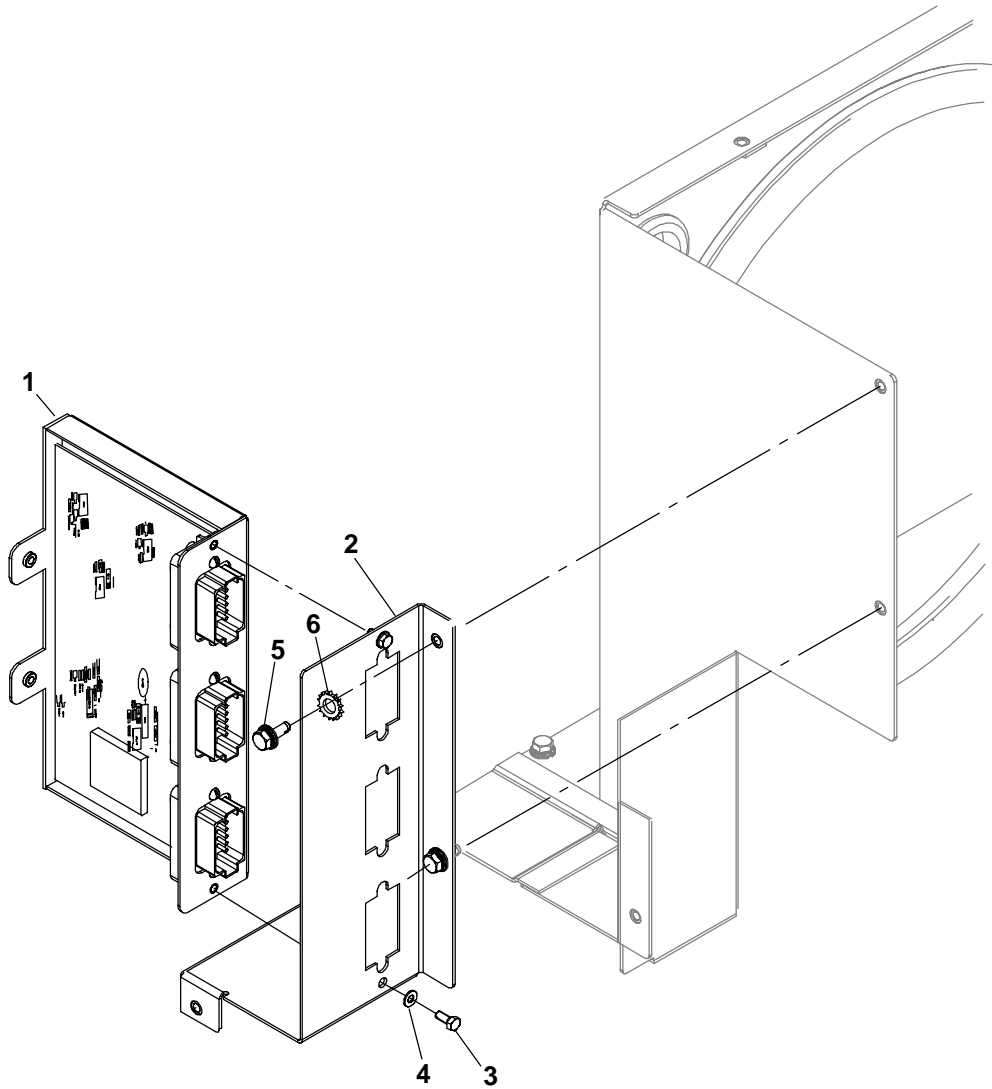


Generator

REF NO.	PART NO.	QTY USED	PART DESCRIPTION	REF NO.	PART NO.	QTY USED	PART DESCRIPTION
1			Stator, Generator (Includes Grommet)	18			*Washer, Flat MDKBP, MDKBR
			Single Phase		526-0399-44	6	(.50") MDKBS
	220-4618-02	1	MDKBP				(M12)
	220-4618-04	1	MDKBR		526-0399-73	6	
	220-4618-06	1	MDKBS	19			*Disc, Drive
			Three Phase		232-3672-03	1	MDKBP, MDKBR
	220-4619-02	1	MDKBP		232-3945	1	MDKBS
	220-4619-04	1	MDKBR	20	232-3826-02	1	*Spacer, Fan
	220-4619-06	1	MDKBS	21	205-0229-02	1	*Fan, Generator
2	508-1073	1	Grommet	22			*Hub, Drive
3	234-0935-02	2	Baffle, Air (3 Phase)		232-3705-01	1	MDKBP, MDKBR
4	526-0174	12	Washer, Flat (3/8)		232-3815-04	1	MDKBS
5	800-0051	12	Screw, Hex Head Cap (3/8-16 x 1-1/4)	23			*Rotor, Wound
					201-3518-02	1	MKDBP
6	232-3706-02	4	Retainer, Endbell		201-3518-04	1	MKDDBR
7	815-0935	4	Screw, Hex Head Thread Forming (1/4-20 x 2")		201-3518-06	1	MDKBS
8	853-0013	4	Washer, ET Lock (1/4")	24	358-0069	1	*Rectifier (Positive)
9	220-4413-02	1	Stator, Wound	25	358-0070	1	*Rectifier (Negative)
10	211-0435-01	1	Endbell	26	526-0008	10	*Washer, Flat (#10)
11	509-0094	1	Seal, O'Ring	27	870-0131	6	*Nut, ET Hex (.190-32)
12	526-0399-42	12	Washer, Flat (3/8)	28	526-0399	8	*Washer, Flat (#10)
13	850-0114-06	4	Washer, Lock (5/16")	29	853-0008	4	*Washer, ET Lock (.190")
14	800-0310-27	4	Screw, Hex Head Cap (5/16"-18 x 2-1/2")	30	813-0100	4	*Screw, Pan Head Machine (.190-32 x .50")
15	800-0310-36	8	Screw, Hex Head Cap (3/8-16 x 1)	31	510-0112	1	*Bearing, Ball
16			Rotor Assy, Generator (Includes Parts Marked *)	* - Parts Included in Generator Rotor Assy.			
	201-3517-02	1	MDKBP				
	201-3517-04	1	MKDDBR				
	201-3517-06	1	MDKBS				
17			*Bolt, Hex Head Cap				
	800-3010-64	6	MDKBP, MDKBR (.50-13 UMC x 1.0")				
	800-3017-52	6	MDKBS (M12 x 1.75 20mm)				

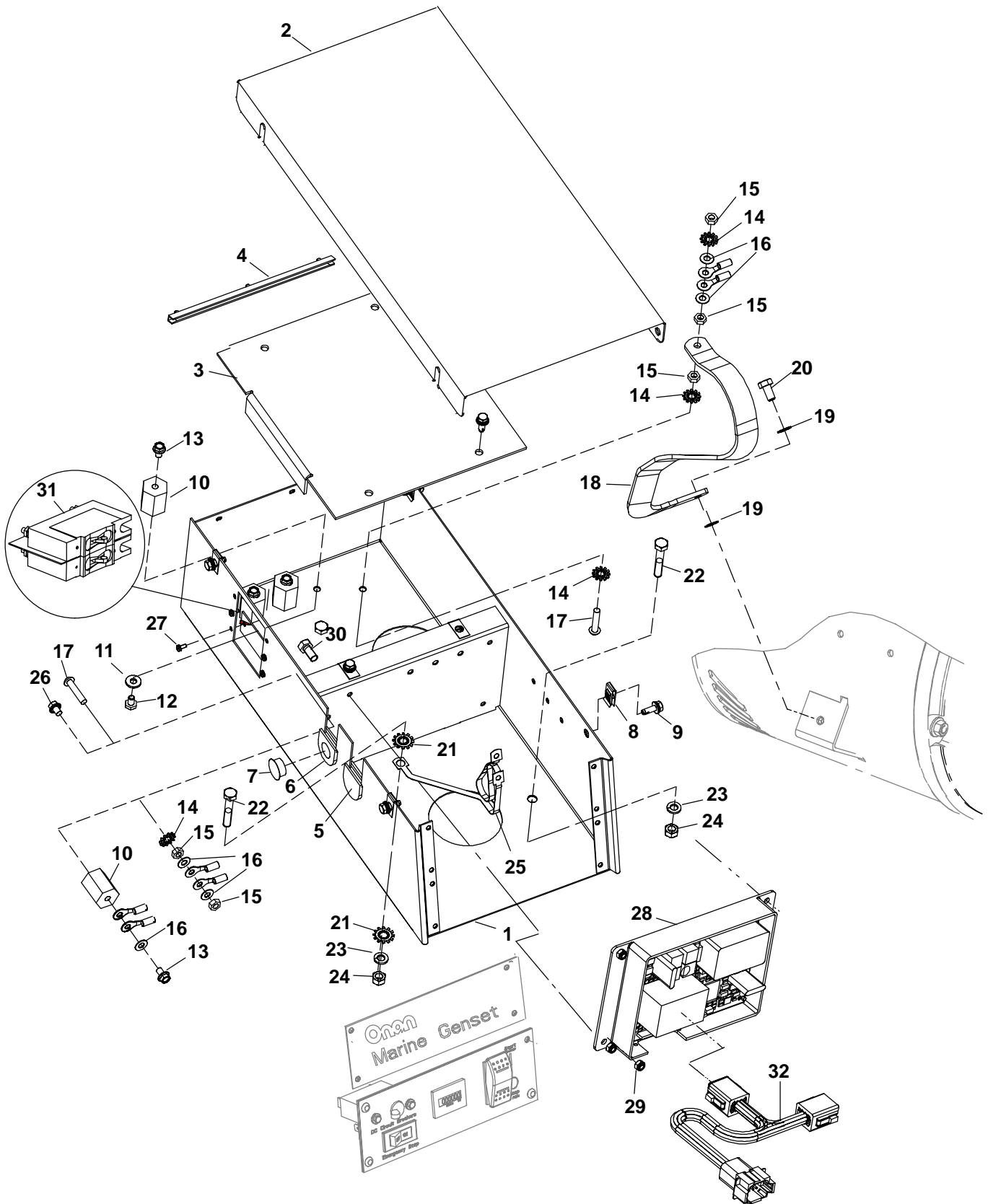
“Blank Page”

PCB Mounting



REF NO.	PART NO.	QTY. USED	PART DESCRIPTION	REF NO.	PART NO.	QTY. USED	PART DESCRIPTION
1	300-5966	1	PCB, Control	5	800-6033	2	Screw, Hex Head Sems Stainless (M6 x 1 x 16mm)
2	405-6522-03	1	Panel, UMC Mounting	6	853-2006	2	Washer, ET (M6)
3	800-3042	2	Screw, Hex (M4 x 10)				
4	526-2050	2	Washer, Flat (M4)				

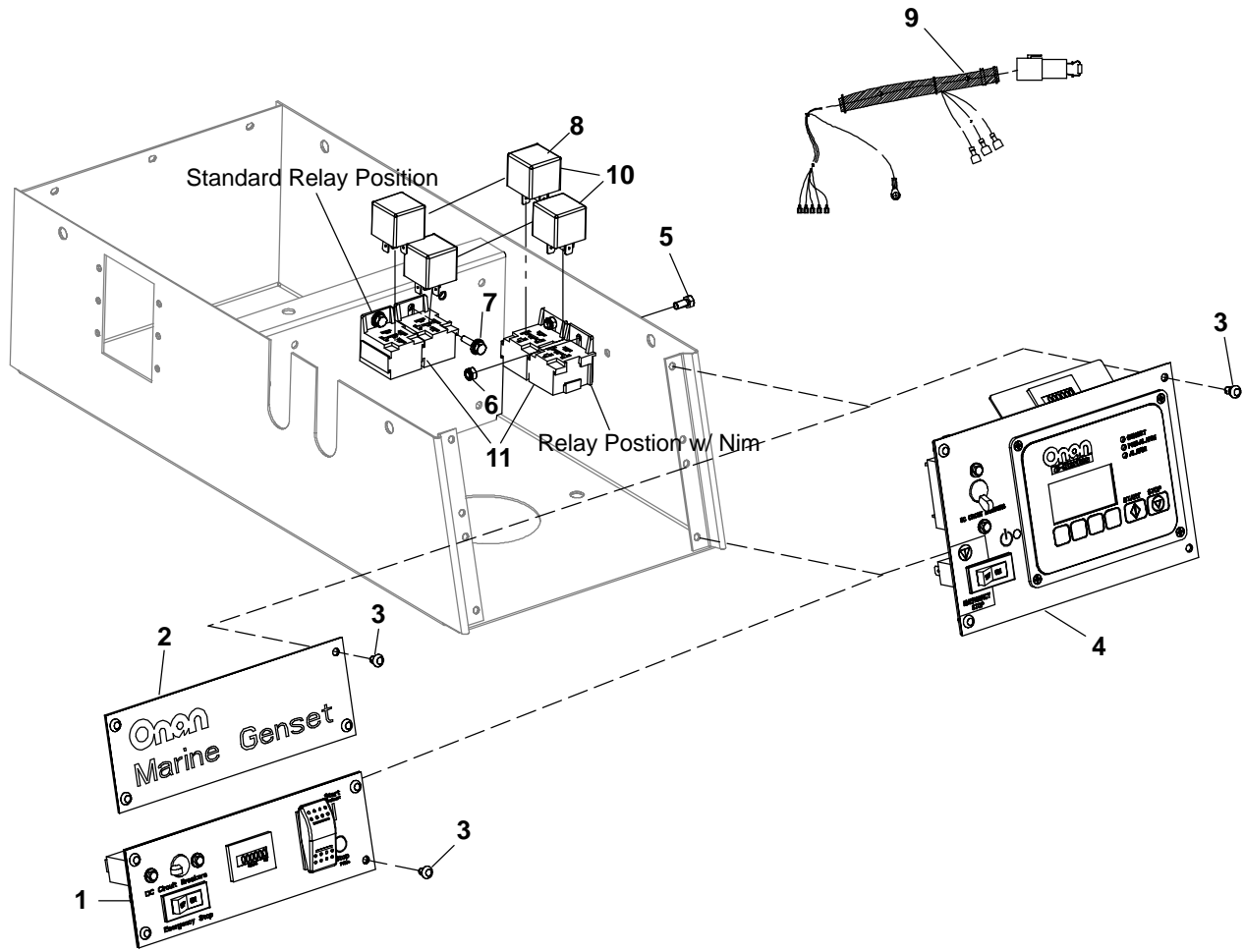
Control Box



Control Box

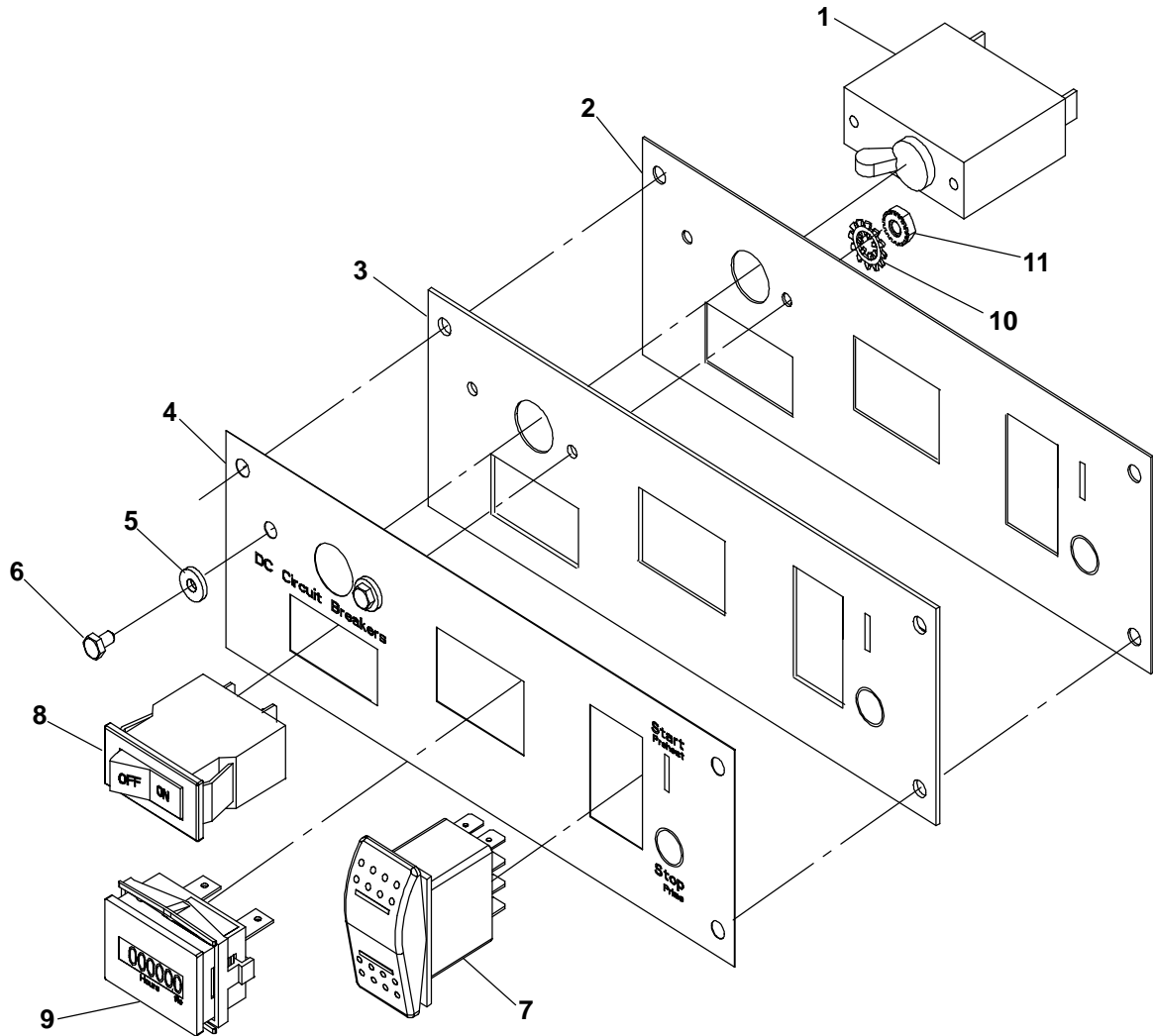
REF NO.	PART NO.	QTY. USED	PART DESCRIPTION	REF NO.	PART NO.	QTY. USED	PART DESCRIPTION
1	319-5503-03	1	Control, Box	17			Screw, Brass (1/4-20 x 1.25")
2	319-4370-03	1	Cover, Control		810-0155	2	Neg Gnd
3	319-4404	1	Cover, Control		810-0155	1	Iso Gnd
4	332-3750	1	Guide, Card	18	337-2795	1	Strap, Bond
5	508-1105-01	1	Grommet, Remote	19	853-0016	2	Washer, Lock
6	508-1105	1	Grommet, Remote	20	800-3017-18	1	Screw, Hex Head Cap (M8 x 1.25 x 16mm)
7	517-0136	1	Plug, Hole				Washer, EIT(5/16")
8	870-2228	6	Clip, Nut	21	856-0008	2	Screw, Hex Head Cap (M8 x 1.25 x 45mm)
9	821-6006-01	6	Screw, Hex Head Sems Stainless (M6 x 1 x 16mm)	22	800-6062	3	Washer, Split Lock Stainless (M8)
10			Standoff, Insulator	23	850-2058	3	Nut, Hex Stainless (M8 x 1.25mm)
	332-2370	2	Neg Gnd Single Phase	24	860-2058	3	Strap, Bond
	332-2370	3	Neg Gnd Three Phase Iso Gnd Single Phase	25	337-3508	1	Screw, Locking Head Iso Gnd(1/4-20 x .31")
	332-2370	4	Iso Gnd Three Phase	26	821-0008	1	Screw, Pan Head XREC (6-32 x .31)
11			Washer, Flat (1/4-20)	27			Single Phase
	526-0399-13	2	Single Phase		815-0550-01	4	Three Phase
	526-0399-13	3	Three Phase	28	815-0550-01	6	Assy, PCB
12			Screw, Hex Head Cap (1/4-20 x .375")		327-1444-01	1	NIM /J1939
	800-0310-01	2	Single Phase		327-1444-02	1	NIM /Smartcraft
	800-0310-01	3	Three Phase	29	870-2062	4	Nut, Nylon Lock (M5)
13		2	Screw, Hex Flange (1/4-20 x 3/8")	30	800-6002	4	Screw, Hex Head Sems (M5 x .8 x 10mm)
	821-0009	2	Neg Gnd Single Phase	31			Breaker, Circuit
	821-0009	3	Neg Gnd Three Phase Iso Gnd Single Phase		320-1689-04	1	30Amps MDKBP
	821-0009	4	Iso Three Phase		320-1689-07	1	45Amps MDKBR
14			Washer, Lock (1/4")		320-1689-09	1	55Amps MDKBS
	856-0006	4	Neg Gnd	32	338-4491	1	Harness, Accessory (NIM)
	856-0006	3	Iso Gnd				
15			Nut, Hex Brass (1/4-20)				
	871-0016	5	Neg Gnd				
	871-0016	3	Iso Gnd				
16			Washer, Flat Brass (1/4")				
	526-0052	4	Neg Gnd				
	526-0052	3	Iso Gnd				

Control Panel Components



REF NO.	PART NO.	QTY. USED	PART DESCRIPTION	REF NO.	PART NO.	QTY. USED	PART DESCRIPTION
1			Assy Panel, Engine	7	821-6001-03	2	Screw, Hex Head Sems (M5 x .8 x 16mm) (Non NIM)
	300-5476-07	1	12V				
	300-5476-08	1	24V				
2	300-5474	1	Assy Panel, Blank (Std)	8	307-2819	1	Relay (24V)
3	818-1150-03	8	Rivet, Drive Plastic (Std)	9			Harness, Control
4	300-5944-02	1	Assy Control (eSDD) (See NIM Option Page)		338-4414	1	NIM Mounting
5	800-6002	2	Screw, Hex Head Cap (M5 x .8 x 10mm) (NIM)		388-4213	1	Non-NIM Mounting
6	870-2062	2	Nut, Nylon Lock (M5) (NIM)	10			Relays
					307-2767	2	12V
					307-2767	1	24V
				11	323-1563	2	Contact, Relay

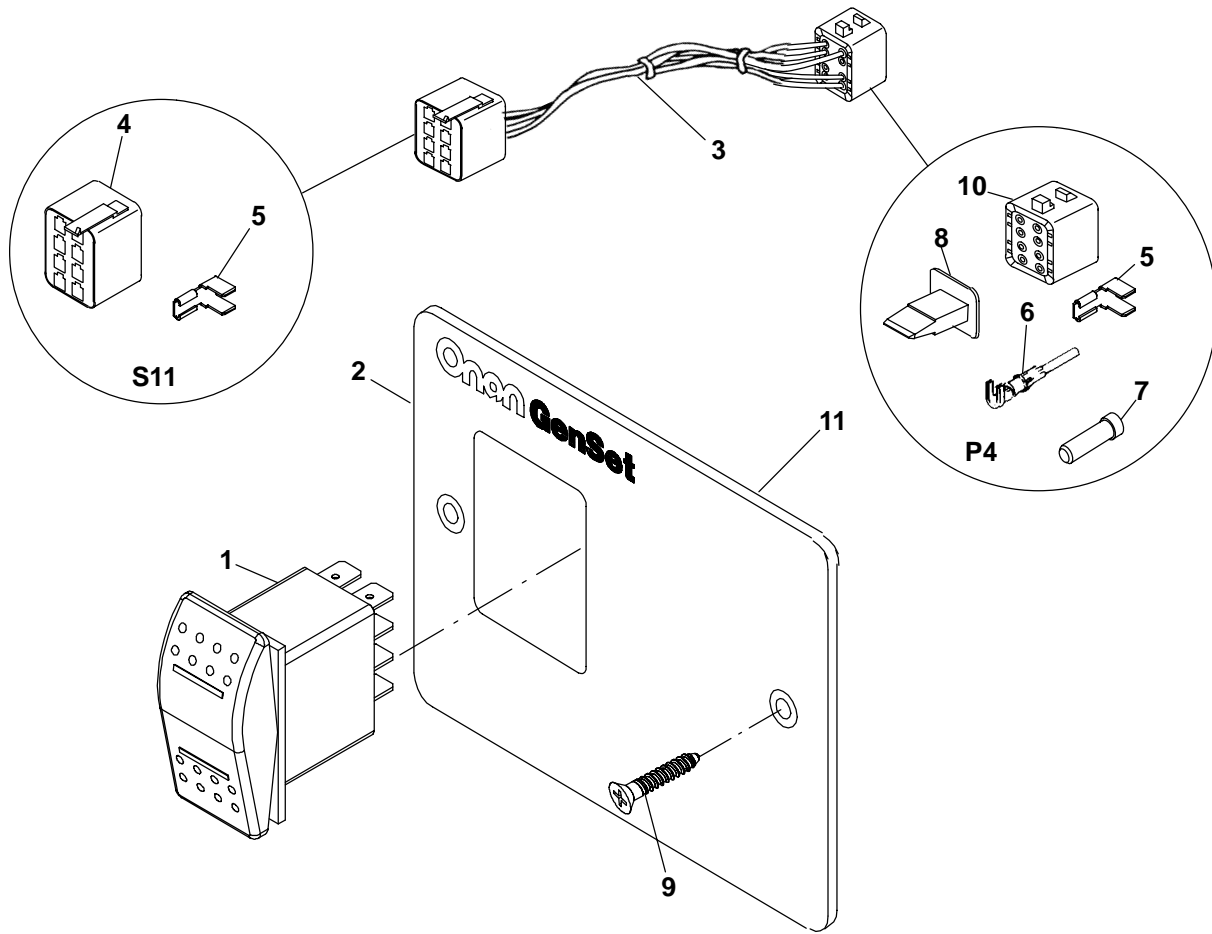
Control Panel



REF NO.	PART NO.	QTY. USED	PART DESCRIPTION	REF NO.	PART NO.	QTY. USED	PART DESCRIPTION
1	320-1862-01	1	Breaker, Circuit (50 Amp)	8	320-1140	1	Breaker, Circuit (15 Amp)
2	319-4467-02	1	Panel, Control (Ground)	9	302-2048	1	Meter, Hour
3	319-4368-06	1	Panel, Control	10	856-0003	2	Washer, EIT Lock (#10)
4	98-7781	1	Label, Control	11	870-0131	2	Nut, Sems EIT
5	503-1002	2	Washer, Flat (#6)				
6	800-0309-10	2	Screw, Hex Head (6-32 x 1/4")				
7			Switch, Rocker SPDT				
	308-1102	1	24VDC				
	308-1101	1	12VDC				

* - See Control Box for Location.

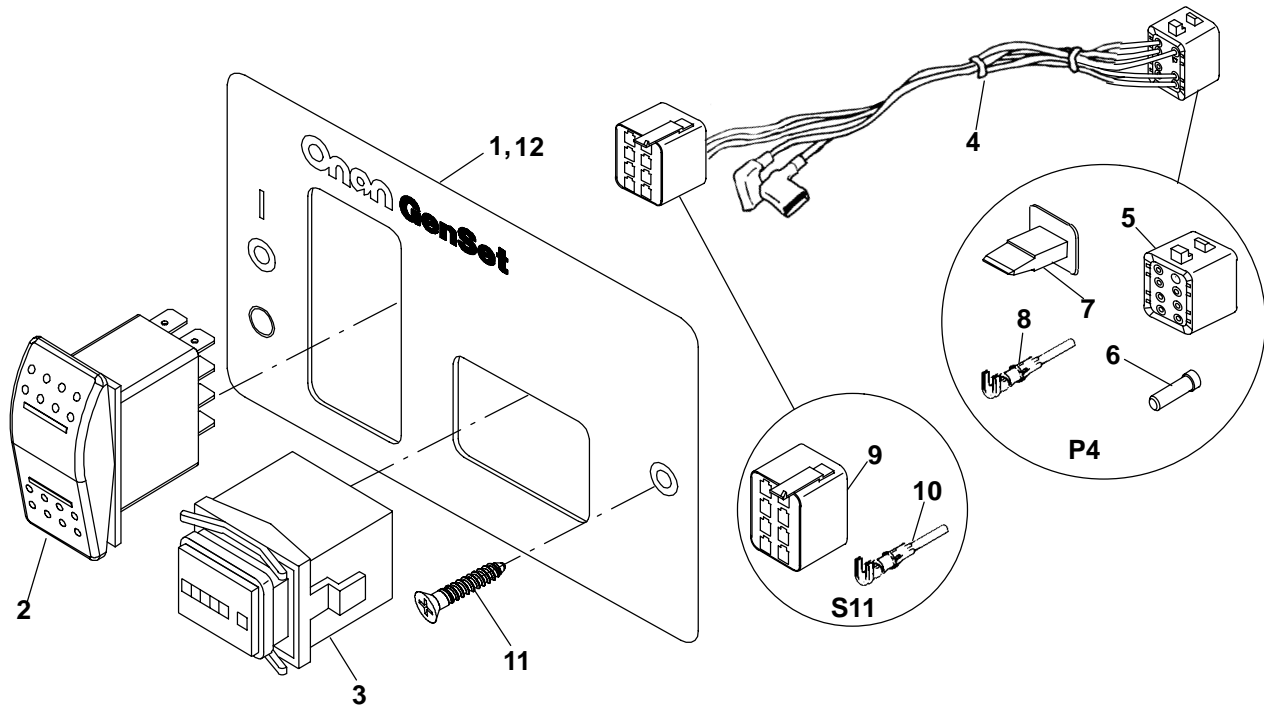
Remote Control Panel



REF NO.	PART NO.	QTY. USED	PART DESCRIPTION	REF NO.	PART NO.	QTY. USED	PART DESCRIPTION
			Kit, Panel Remote (Includes Parts Marked *)	5	332-2890	6	*Terminal, Receptacle (.25")
	300-5450-01	1	12V	6	323-1492	6	~Pin, Contact
	300-5450-02	1	24V	7	323-1591	3	~Plug, Seal
			Kit, Remote Switch Harness (Includes Parts Marked +)	8	323-1543	1	~Wedge, Plug (8 Pin)
	541-0585-01	1	12V	9	815-0910	2	*Screw, Wood (#6 x 1)
	541-0585-02	1	24V	10	323-1541	1	Plug (8Pin)
1			+Switch, Rocker (S11)	11	98-7841	1	+Label, Indicator (Switch, Meter)
	308-1101	1	12V				
	308-1102	1	24V				
2	319-4402	1	Panel, Remote (Includes Printing)				
3	338-3988	1	+Harness, Remote Panel (Includes Parts Marked ~)				
4	308-1019	1	~Connector, Switch (S11)				

* - Parts Included in Remote Panel
 + - Parts Included in Remote Switch Harness.
 ~ - Parts Included in Remote Panel Harness.

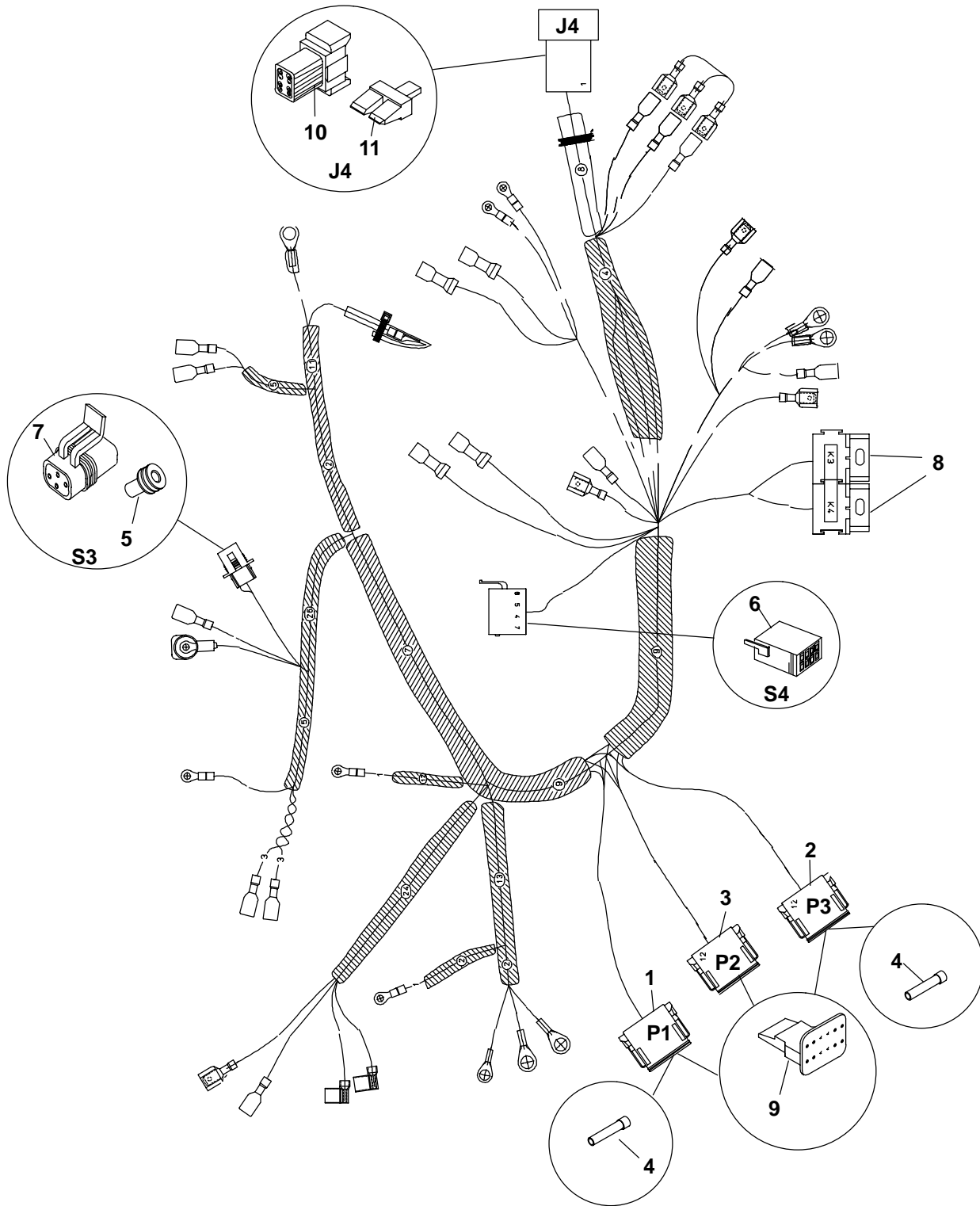
Remote Control Panel w/Hourmeter



REF NO.	PART NO.	QTY. USED	PART DESCRIPTION	REF NO.	PART NO.	QTY. USED	PART DESCRIPTION
			Kit, Panel, Remote	6	323-1591	2	*Plug, Seal
	300-5452-01	1	12V	7	323-1543	1	*Wedge, Plug (8 Pin)
	300-5452-02	1	24V	8	323-1492	6	*Pin, Contact
1	319-4400	1	Panel, Remote Printed	9	308-1019	1	*Connector, Switch (S11)
2			Switch, Rocker (S11)	10	332-2890	6	*Terminal, Receptacle (.25")
	308-1101	1	12V	11	815-0910	2	Screw, Wood (#6 x 1)
	308-1102	1	24V	12	98-7841	1	Label, Panel (Remote)
3	302-2002	1	Hourmeter (M11)				
4	338-3990	1	Harness, Remote Panel (Includes Parts Marked *)				
5	323-1541	1	*Plug (8 Pin) (P4)				

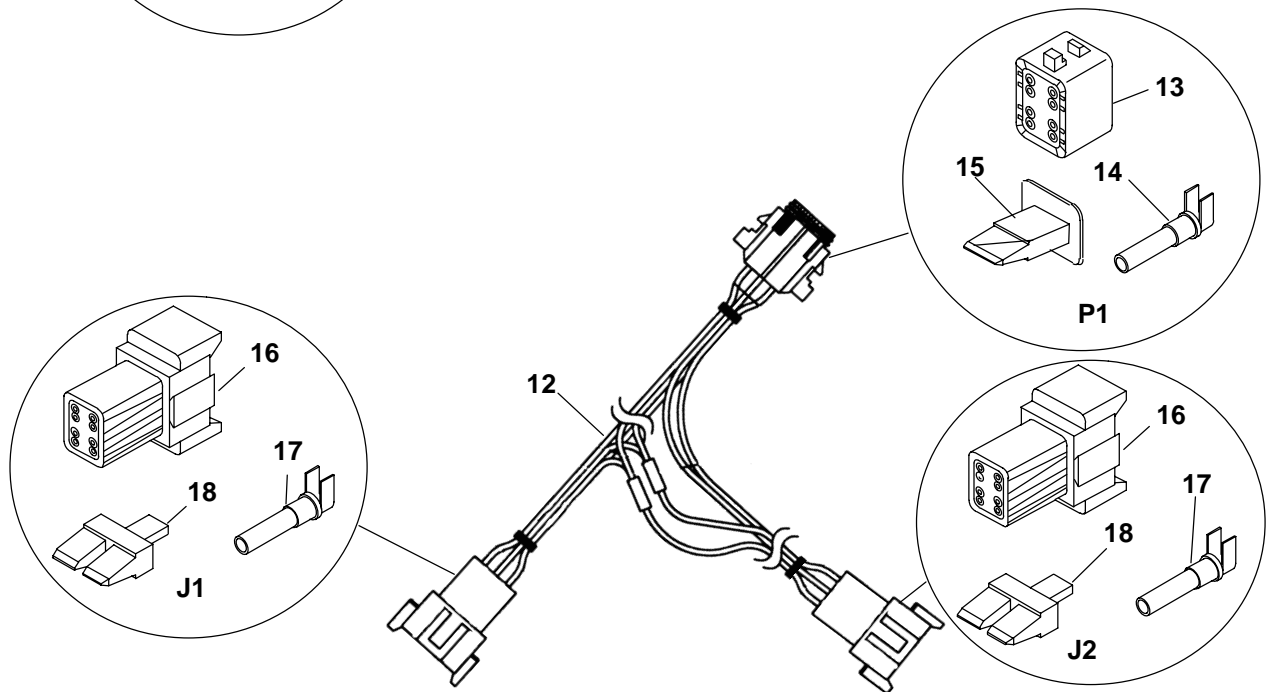
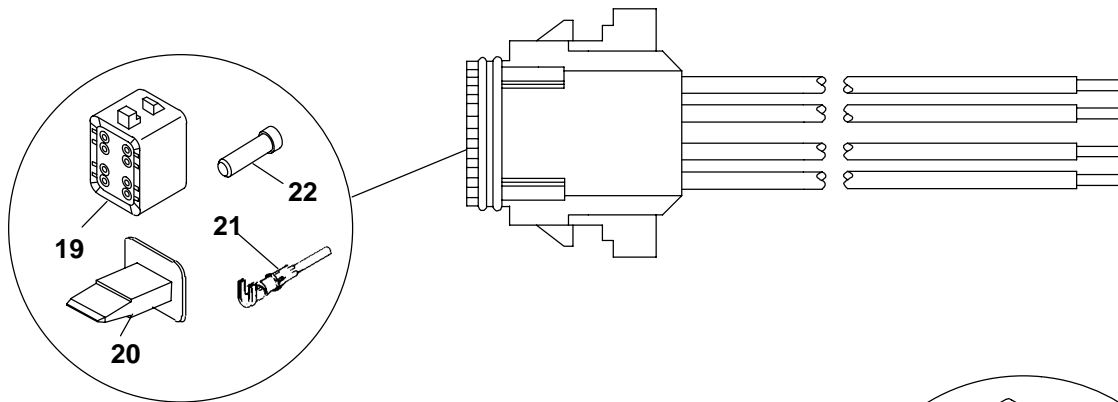
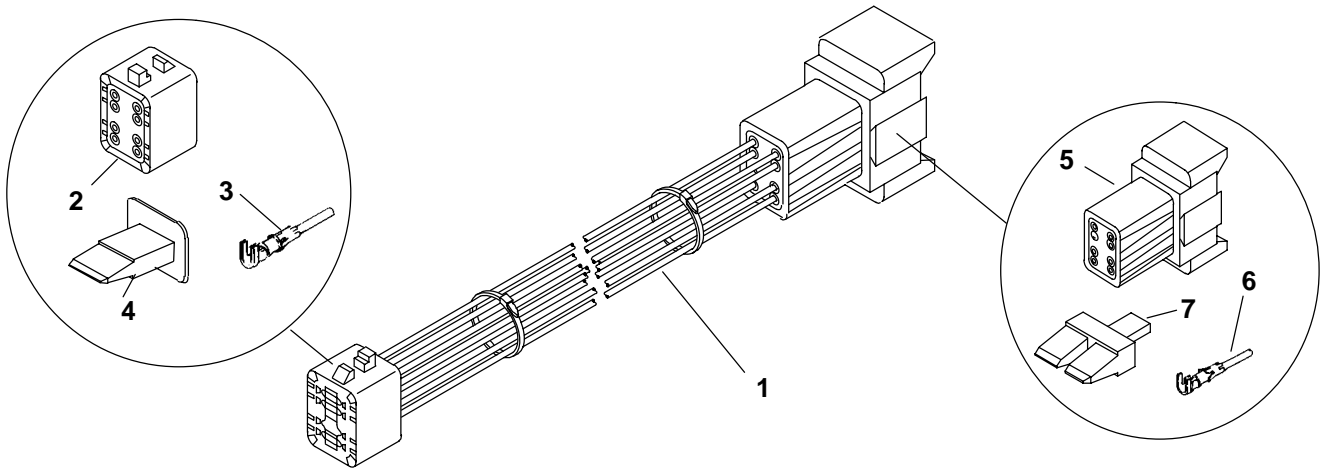
* - Parts Included in Remote Panel Wiring Harness.

Control Harness

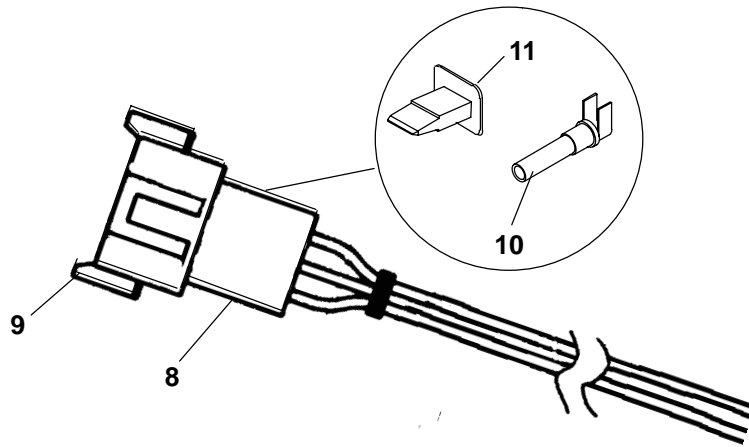


REF NO.	PART NO.	QTY. USED	PART DESCRIPTION	REF NO.	PART NO.	QTY. USED	PART DESCRIPTION
	338-4412	1	Harness, Control	7	323-1765	1	Connector, Housing 4 Pin (S3)
1	320-1582-06	1	Plug (12 Pin, Black P1)	8	323-1563	1	Socket, Relay
2	323-1582-05	1	Plug (12 Pin, Gray P2)	9	323-1583	3	Plug, Wedge 12 Pin, P1, P2, P3
3	323-1582-07	1	Plug (12 Pin, Green P3)	10	323-1542	2	Connector, Receptacle 8 Pin (J4, J8)
4	323-1591	AR	Plug (P1)	11	323-1544	2	Receptacle, Wedge(J4, J8)
5	323-1708	AR	Seal,Cable(S3)				
6	308-1019	1	Switch, Connector (S4)				

Wiring Harnesses



Wiring Harnesses



REF NO.	PART NO.	QTY. USED	PART DESCRIPTION	REF NO.	PART NO.	QTY. USED	PART DESCRIPTION
1			Harness, Remote Extension (Includes Parts Marked #)	13	323-1541	1	±°Plug, Connector (8 Pin)
	338-3167	1	15 feet	14	323-1492	AR	±°Terminal, Socket
	338-3168	1	25 feet	15	323-1543	1	±°Wedge, Plug (8 Pin)
	338-3169	1	45 feet	16	323-1542	2	+Connector, Receptacle (8 Pin)
	338-3169-01	1	75 feet	17	323-1491	AR	@ Terminal, Pin
	338-3169-02	1	100 feet	18	323-1544	2	+Wedge, Lock, Receptacle (8 Pin)
	338-3169-03	1	150 feet		338-4223	1	Harness, Remote Panel
2	323-1541	1	#Plug (8 Pin)	19	323-1541	1	Plug (8 Pin)
3	323-1492	8	#Terminal, Socket	20	323-1543	1	Wedge, Plug (8Pin)
4	323-1543	1	#Wedge, Plug (8 Pin)	21	323-1492	AR	Terminal, Socket
5	323-1542	1	#Receptacle, (8 Pin)	22	323-1591	AR	Plug, Seal
6	323-1491	8	#Terminal, Pin				
7	323-1544	1	#Wedge, Receptacle (8 Pin)				
8	338-4017	1	Harness, Pigtail (Includes Parts Marked @)				
9	323-1542	1	@ Connector, Receptacle (8 Pin)				
10	323-1491	AR	+ Terminal, Pin				
11	323-1544	2	@ Wedge, Lock (8 Pin)				
12	338-4016	1	Harness, Junction (Includes Parts Marked +)				

- Parts Included in Remote Extension Harness.
 * - Parts Included in Custom Pigtail Harness.
 ° - Parts Included in Adapter Harness.
 .+ - Parts Included in Junction Harness.
 .@ - Parts Included in Pigtail Harness.

Labels, Kits

REF NO.	PART NO.	QTY USED	PART DESCRIPTION	REF NO.	PART NO.	QTY USED	PART DESCRIPTION
98-2235-02		1	Label, Ground	100-3478-04		1	Kit, Cruise Includes
98-4798-01		1	Label, Warning (Unhoused)				All of The Following Items:
98-5161		1	Label, Coolant (Housed)	149-2106		2	Filter, Fuel
98-8357		1	Label, Information (WD Reconnect)	122-0810		2	Filter, Oil
98-5347		1	Label, Danger	132-0349		2	Kit Pump, Service
98-8354		1	Label, Information (Service)	511-0211		2	Belt
98-5755		1	Label, Warning	130-4434		2	Pencil, Zinc
98-6074-02		1	Label, Warning	417-0223		2	Box, Cruise Kits
98-8067		1	Label, Information (No Step) Housed	100-3478-05		1	Kit, Cruise Includes
98-7871		2	Label, Warning (Coolant) Unhoused	149-2106		2	All of The Following Items:
98-7871		1	Label, Warning (Coolant) Housed	122-0810		2	Filter, Fuel
98-6995		4	Label, Warning (Housed)	132-0349		2	Filter, Oil
98-8298		1	Label, Information (No Step)	185-7055		2	Kit Pump, Service
98-6997		1	Label, Lifting Eye (Housed)	130-4434		2	Belt
98-7783		1	Label, Warning	417-0223		2	Pencil, Zinc
98-7850		2	Label, E-QD (Housed)				Box, Cruise Kits
98-7963		1	Rear Bulkhead Connector,	300-5725-01		1	Kit, Remote Panel
98-7975		1	Rear Bulkhead Connector,	300-5725-02		1	Kit, Remote Panel
98-7984-01		1	Label, Information (PTO, Rear)	332-3771		1	Kit, Terminal Boot
98-7984-02		1	Label, Information (PTO, Front)	541-0853		1	Kit Label, Bulkhead Connectors
98-7985-01		1	Label, Information (PTO, Rear)	541-0941-01		1	Kit, Remote Switch
98-7985-02		1	Label, Information (PTO, Front)	541-0941-02		1	Kit, Remote Switch

Numerical Index

<u>Part No.</u>	<u>Page</u>	<u>Part No.</u>	<u>Page</u>	<u>Part No.</u>	<u>Page</u>	<u>Part No.</u>	<u>Page</u>
098-2235-02, 95		110-2752, 31		132-0356, 53, 55		150-2880, 19	
098-4798-01, 72, 95		110-3584, 30		132-0385, 56		152-0370, 20	
098-5161, 95		120-1319, 46		132-0386, 56		152-0371, 20	
098-5347, 95		120-1337-02, 60		132-0387, 56		154-2887, 64	
098-5755, 95		122-0810, 37, 95		132-0388, 56		154-2891, 65, 66	
098-6074-02, 95		122-0813, 46		132-0389, 56		154-2915, 64	
098-6995, 95		130-3570, 59		132-0390, 56		154-2963-02, 66	
098-6997, 95		130-3571, 59		132-0391, 56		154-3002, 64	
098-7781, 89		130-3572, 59		132-0392, 56		154-3163, 65	
098-7783, 95		130-3573, 59		132-0393, 56		155-1002, 68	
098-7841, 90, 91		130-3574, 59		132-0394, 56		155-2029, 68	
098-7850, 95		130-3721, 58		132-0414, 56		155-2030, 68	
098-7871, 95		130-4234-03, 53		140-2859, 63		155-2063-09, 67	
098-7963, 95		130-4381-03, 72		140-3021, 63		155-2064-09, 67	
098-7975, 95		130-4382-03, 72		140-3048, 63		155-2355-04, 67	
098-7984-01, 95		130-4411-03, 72		147-0882, 19		155-2975, 64	
098-7984-02, 95		130-4434, 53, 95		149-1908-05, 47, 48		155-2980, 66	
098-7985-01, 95		130-4491-03, 72		149-1914-05, 48		155-2981, 66	
098-7985-02, 95		130-4492-03, 72		149-1949, 48		155-3061, 65, 66	
098-8067, 95		130-4566, 53		149-1952, 48		155-3068-02, 66	
098-8298, 95		130-4567, 53		149-1953, 48		155-3069-02, 66	
098-8354, 95		130-4628-03, 53		149-2041-03, 47		155-3087, 57	
098-8357, 95		130-4652-03, 72		149-2045, 48		155-3094, 66	
100-3478-04, 95		130-4714-03, 72		149-2046, 48		155-3148-02, 55	
100-3478-05, 95		130-4881-02, 58		149-2047, 48		155-3216, 68	
100-3893-01, 8		130-4960, 53		149-2073, 47		155-3217, 68	
100-3893-02, 8		130-4961, 53		149-2106, 45, 95		155-3218, 68	
100-3894-01, 8		130-4962-01, 53		149-2489-02, 46		155-3220, 68	
100-3894-02, 8		130-4979, 53		149-2634-01, 45		155-3221, 68	
100-3895-01, 9		130-5006-02, 53		149-2635, 45		155-3222, 68	
100-3895-02, 9		130-5007-02, 53		149-2646, 45		155-3223, 68	
101-0811, 14		130-5012, 53		149-2654, 46		155-3224, 68	
101-0821, 14		130-5387-01, 53		149-2655, 46		155-3284, 57, 65	
102-1448-02, 61		130-5469-03, 72		149-2703-03, 45		184-0071, 44	
102-1449-01, 60		130-5470-03, 72		150-0740, 19		185-2094, 8, 9	
104-1927, 14		130-5471-03, 72		150-2798, 19		185-2095, 8, 9, 28, 29	
104-1929, 14		132-0293, 53, 56		150-2801, 21		185-2096, 60	
105-0737, 19		132-0346, 53, 55		150-2802, 21		185-2105, 20	
105-0738, 19		132-0348, 53, 56		150-2803, 21		185-2106, 24, 28	
105-0739, 19		132-0349, 53, 56, 95		150-2804, 21		185-2125, 8, 9	
105-0741, 19		132-0350, 55		150-2805, 21		185-2188, 28, 29	

Numerical Index

<u>Part No.</u>	<u>Page</u>	<u>Part No.</u>	<u>Page</u>	<u>Part No.</u>	<u>Page</u>	<u>Part No.</u>	<u>Page</u>
185-2233, 8, 9		185-5443, 34, 37		185-5846, 8, 9		185-5903, 12	
185-2234, 8, 9		185-5445, 39, 40		185-5847, 8, 9		185-5904, 12	
185-2284, 20		185-5447, 40		185-5848, 8		185-5905, 10, 12, 39	
185-2338, 8, 9, 22, 23, 35, 36		185-5476, 61		185-5849, 8, 9		185-5906, 12	
185-2343, 60		185-5495, 61		185-5850, 8		185-5907, 12	
185-2345, 32, 33		185-5505, 37		185-5851, 8		185-5908, 12	
185-2349, 36, 37		185-5529, 20		185-5854, 60		185-5909, 12	
185-2350, 8, 9		185-5558, 12		185-5855, 60		185-5910, 12	
185-2351, 22, 23		185-5612, 32, 33		185-5860, 28		185-5911, 12	
185-2352, 8, 9		185-5615, 33		185-5861, 28, 29		185-5912, 12	
185-2362, 25, 34		185-5676, 8, 9		185-5862, 28, 29		185-5913, 13	
185-2365, 34		185-5768, 42, 43		185-5863, 28, 29		185-5914, 13	
185-2367, 24, 25, 30, 31, 34, 38		185-5769, 42, 43		185-5865, 28, 29		185-5915, 13	
185-2380, 39		185-5770, 42		185-5866, 28		185-5916, 13	
185-2385, 32, 33		185-5771, 42, 43		185-5867, 28, 29		185-5917, 13	
185-2388, 23		185-5772, 42		185-5868, 28, 29		185-5921, 13	
185-2389, 22, 23, 37, 38		185-5773, 42		185-5869, 37		185-5922, 13	
185-2390, 20, 37		185-5774, 42, 43		185-5870, 37		185-5923, 10	
185-2392, 21		185-5775, 42, 43		185-5872, 37		185-5924, 10, 11	
185-2400, 12		185-5777, 42		185-5873, 37		185-5925, 10	
185-2402, 24, 25, 34, 63		185-5781, 43		185-5874, 37		185-5926, 10	
185-2403, 17, 18		185-5782, 42		185-5875, 37		185-5927, 10	
185-2404, 17, 18, 38		185-5783, 42, 43		185-5876, 37		185-5928, 10	
185-2405, 37		185-5784, 42, 43		185-5877, 37		185-5929, 10, 11	
185-2412, 28, 29		185-5785, 42, 43		185-5878, 37		185-5930, 10	
185-2461, 22, 23		185-5786, 42, 43		185-5879, 37		185-5931, 10	
185-2563, 60		185-5787, 42, 43		185-5880, 37		185-5933, 10	
185-2564, 39, 40		185-5788, 42, 43		185-5887, 35		185-5934, 10, 11	
185-2565, 34		185-5789, 42, 43		185-5888, 35, 36		185-5937, 10	
185-2578, 24, 25		185-5790, 42, 43		185-5889, 17, 18		185-5938, 10, 11	
185-2961, 42, 43		185-5791, 42		185-5890, 17, 18		185-5939, 10, 11	
185-3009, 19		185-5826, 34		185-5892, 17, 18		185-5940, 10, 11	
185-3033, 20		185-5833, 37		185-5893, 17, 18		185-5941, 10, 11	
185-3078, 60		185-5837, 8, 9		185-5895, 17		185-5942, 10	
185-4255, 20, 37, 39, 40		185-5839, 8		185-5896, 17, 18		185-5943, 10	
185-5126, 37		185-5840, 8, 9		185-5897, 17, 18		185-5947, 19	
185-5337, 32, 33		185-5841, 8, 9		185-5898, 17, 18		185-5949, 19	
185-5407, 36, 37		185-5842, 8, 9		185-5899, 17, 18		185-5950, 19	
185-5415, 20		185-5843, 8, 9, 37		185-5900, 12		185-5961, 19	
		185-5844, 8, 9		185-5901, 12		185-5963, 19	
		185-5845, 8, 9		185-5902, 12		185-5969, 22, 23	

Numerical Index

<u>Part No.</u>	<u>Page</u>	<u>Part No.</u>	<u>Page</u>	<u>Part No.</u>	<u>Page</u>	<u>Part No.</u>	<u>Page</u>
185-5970,	22, 23	185-6040,	9	185-6107,	30, 31	185-6213,	23
185-5971,	22, 23	185-6041,	9	185-6108,	30, 31	185-6216,	27
185-5974,	22	185-6042,	9	185-6121,	8, 9	185-6217,	27
185-5976,	24	185-6043,	9	185-6122,	60	185-6218,	27
185-5977,	24	185-6044,	61	185-6124,	37	185-6219,	27
185-5985,	32, 33	185-6045,	61	185-6125,	37	185-6220,	27
185-5986,	32	185-6047,	61	185-6126,	37	185-6225,	33
185-5987,	32	185-6048,	28	185-6127,	37	185-6228,	40
185-5988,	32	185-6049,	29	185-6134,	22, 23	185-6242,	30, 31
185-5989,	32	185-6050,	29	185-6135,	22, 23	185-6347,	40
185-5990,	32, 33	185-6054,	36	185-6138,	26	185-6418,	24, 25
185-5991,	32	185-6061,	61	185-6139,	26	185-6440,	40
185-5994,	39, 40, 42	185-6062,	18	185-6140,	26	185-6630,	39, 40
185-5999,	34	185-6063,	18	185-6141,	26	185-6710,	38
185-6000,	34	185-6064,	12	185-6142,	26, 27	185-6711,	37
185-6001,	34	185-6065,	12	185-6143,	26, 27	185-6712,	37
185-6003,	34	185-6066,	12	185-6144,	26, 27	185-6715,	63
185-6004,	34	185-6067,	12	185-6145,	26, 27	185-6716,	35
185-6005,	34	185-6074,	13	185-6146,	26, 27	185-6717,	35
185-6006,	38	185-6075,	13	185-6147,	26, 27	185-6718,	35, 36
185-6007,	38	185-6076,	13	185-6148,	26, 27	185-6719,	35, 36
185-6010,	38	185-6078,	37	185-6150,	26	185-6720,	35, 36
185-6011,	38	185-6079,	11	185-6151,	26, 27	185-6721,	35, 36
185-6012,	38	185-6080,	11	185-6152,	26, 27	185-6722,	35, 36
185-6013,	38	185-6081,	11	185-6153,	26, 27	185-6723,	63
185-6016,	30, 31	185-6082,	11	185-6154,	26, 27	185-6724,	39, 40, 43
185-6017,	30, 31	185-6083,	11	185-6155,	26, 27	185-6725,	32, 33
185-6018,	30, 31	185-6084,	11	185-6163,	21	185-6726,	22, 23
185-6019,	30, 31	185-6085,	10, 11	185-6180,	20	185-6727,	60
185-6020,	30	185-6086,	10, 11	185-6183,	39	185-6728,	60
185-6022,	30, 31	185-6088,	11	185-6186,	42	185-6730,	39
185-6023,	30, 31	185-6089,	11	185-6187,	42	185-6731,	32
185-6025,	30, 31	185-6091,	25	185-6188,	42	185-6733,	39, 40
185-6026,	30, 31	185-6094,	32, 33	185-6189,	42	185-6734,	39
185-6027,	30, 31	185-6095,	32, 33	185-6190,	42	185-6756,	24
185-6028,	30, 31	185-6096,	33	185-6191,	42	185-6757,	24
185-6029,	30, 31	185-6097,	33	185-6195,	61	185-6758,	24
185-6030,	30, 31	185-6098,	33	185-6197,	37	185-6759,	8, 9, 37, 40
185-6035,	63	185-6099,	33	185-6204,	37	185-6760,	60
185-6038,	9	185-6100,	33	185-6207,	12	185-6761,	60
185-6039,	9	185-6103,	34	185-6209,	13	185-6763,	28

Numerical Index

<u>Part No.</u>	<u>Page</u>	<u>Part No.</u>	<u>Page</u>	<u>Part No.</u>	<u>Page</u>	<u>Part No.</u>	<u>Page</u>
185-6764,	28	185-6977,	11	190-0776-02,	62	193-0430-01,	46
185-6765,	37	185-6982,	8, 9, 19	190-0776-03,	62	193-0457-01,	34
185-6766,	17, 18	185-6985,	23	190-0776-04,	62	193-0468,	58
185-6767,	13	185-6993,	27	190-0777,	62	201-3517-02,	83
185-6768,	13	185-6994,	27	190-0778,	81	201-3517-04,	83
185-6769,	13	185-7004,	33	190-0792-03,	62	201-3517-06,	83
185-6770,	13	185-7012,	39, 40	191-1431,	15, 16	201-3518-02,	83
185-6771,	13	185-7020,	38	191-1432,	15, 16	201-3518-04,	83
185-6772,	8, 9, 19	185-7021,	38	191-1433,	15, 16	201-3518-06,	83
185-6774,	22, 23	185-7031,	8, 9	191-1436,	15, 16	205-0229-02,	83
185-6775,	22, 23	185-7036,	11	191-1437,	15, 16	211-0435-01,	83
185-6778,	26, 27	185-7041,	23	191-1438,	15	220-4413-02,	83
185-6781,	21	185-7042,	23	191-1439,	15, 16	220-4618-02,	83
185-6784,	8, 9	185-7045,	24, 25	191-1440,	16	220-4618-04,	83
185-6785,	39, 40	185-7050,	33	191-1441,	15, 16	220-4618-06,	83
185-6786,	21, 39, 40	185-7052,	40	191-1442,	15, 16	220-4619-02,	83
185-6788,	34	185-7053,	40	191-1444,	15, 16	220-4619-04,	83
185-6789,	30, 31	185-7054,	40	191-1445,	15, 16	220-4619-06,	83
185-6795,	25	185-7055,	95	191-1446,	15, 16	232-3672-03,	83
185-6796,	25	185-7056,	42, 43	191-1447,	15, 16	232-3705-01,	83
185-6803,	63	185-7060,	34	191-1448,	15, 16	232-3706-02,	83
185-6804,	36	185-7061,	38	191-1449,	15, 16	232-3815-04,	83
185-6809,	43	185-7062,	38	191-1450,	15, 16	232-3826-02,	83
185-6810,	43	185-7063,	31	191-1550,	14, 16	232-3945,	83
185-6811,	43	185-7064,	64	191-1606,	16	234-0935-02,	83
185-6812,	43	185-7065,	63	191-1607,	16	300-5040,	34
185-6813,	43	185-7442,	24, 26	191-1608,	16	300-5041,	34
185-6814,	43	185-7443,	25, 27	191-1609,	16	300-5450-01,	90
185-6815,	43	190-0729-01,	62	191-1959,	14, 15	300-5450-02,	90
185-6816,	43	190-0729-02,	62	191-1960,	16	300-5452-01,	91
185-6819,	43	190-0763-02,	62	191-1991,	15	300-5452-02,	91
185-6820,	43	190-0764-02,	62	191-1992,	15	300-5474,	88
185-6821,	38	190-0766-03,	62	191-1993,	15	300-5476-07,	88
185-6929,	61	190-0767-02,	62	191-1994,	15	300-5476-08,	88
185-6956,	61	190-0768,	62	191-2167-03,	41	300-5725-01,	95
185-6957,	24, 25, 30, 31, 34, 37, 38	190-0769-03,	62	191-2168-03,	41	300-5725-02,	95
185-6960,	37	190-0770-03,	62	191-2169-01,	41	300-5944-02,	88
185-6967,	36	190-0771-02,	62	191-2169-02,	41	300-5966,	85
185-6974,	11	190-0771-04,	62	191-2170,	41	302-2002,	91
185-6976,	10, 11	190-0771-06,	62	193-0244,	46	302-2048,	89
		190-0776-01,	62	193-0318,	34	304-0796,	45

Numerical Index

<u>Part No.</u>	<u>Page</u>	<u>Part No.</u>	<u>Page</u>	<u>Part No.</u>	<u>Page</u>	<u>Part No.</u>	<u>Page</u>
306-4720-01,	44	332-1571,	66	403-4091,	70	405-7211,	53
306-4720-02,	44	332-2370,	87	403-4581-02,	70	405-7230-03,	81
307-1617,	69	332-2634,	53, 55	403-4624-02,	70	405-7231,	81
307-2656,	69	332-2890,	90, 91	405-5010-02,	81	405-7345-02,	76
307-2767,	88	332-3750,	87	405-5052,	76	405-7347,	78
307-2819,	88	332-3771,	95	405-6340,	76	405-7350-03,	79
308-1019,	90, 91, 92	333-0662-02,	69	405-6491-03,	73	405-7357-01,	78
308-1101,	89, 90, 91	334-0935-03,	74	405-6492-03,	74	405-7357-02,	78
308-1102,	89, 90, 91	334-0935-04,	74	405-6519-03,	77	405-7358-01,	79
309-0597-01,	65	337-0090-02,	71	405-6522-03,	85	405-7358-02,	81
309-0667,	53	337-2784-02,	71	405-6682,	74	405-7359-01,	76
319-4368-06,	89	337-2785,	71	405-6684,	73	405-7359-02,	76
319-4370-03,	87	337-2795,	87	405-6685,	73	405-7360,	79
319-4400,	91	337-3508,	87	405-6686,	73	405-7361,	79
319-4402,	90	338-3167,	94	405-6687,	77	405-7429-03,	73
319-4404,	87	338-3168,	94	405-6689,	73	405-7430,	73
319-4467-02,	89	338-3169,	94	405-6797,	77	406-0958,	77
319-5503-03,	87	338-3169-01,	94	405-6812-02,	81	406-1032,	78, 79
320-1140,	89	338-3169-02,	94	405-6817,	81	417-0223,	95
320-1582-06,	92	338-3169-03,	94	405-6866,	81	501-0624,	60
320-1689-04,	87	338-3988,	90	405-6867,	81	501-0672-02,	46
320-1689-07,	87	338-3990,	91	405-6868-03,	79	501-0672-04,	46
320-1689-09,	87	338-4016,	94	405-6870-03,	76	501-0672-05,	46
320-1862-01,	89	338-4017,	94	405-6871-03,	79	501-0672-06,	46
323-1491,	94	338-4176-03,	74	405-6957-01,	77	502-0020,	45, 47
323-1492,	90, 91, 94	338-4200-01,	69	405-6971-03,	76	502-0028,	45, 46
323-1541,	90, 91, 94	338-4200-02,	69	405-6972-03,	78	502-0029,	47
323-1542,	92, 94	338-4223,	94	405-6990,	76	502-0053,	46
323-1543,	90, 91, 94	338-4412,	92	405-6991,	76	502-0054,	45
323-1544,	92, 94	338-4414,	88	405-6992,	79	502-0055,	46
323-1563,	88, 92	338-4491,	87	405-6993-01,	78	502-0153,	48, 58
323-1582-05,	92	350-1238,	45	405-6993-02,	78	502-0156,	45
323-1582-07,	92	358-0069,	83	405-6995-01,	78	502-0175,	45
323-1583,	92	358-0070,	83	405-6995-02,	78	502-0263,	60
323-1591,	90, 91, 92, 94	388-4213,	88	405-7038-03,	75	502-0819,	61
323-1708,	92	402-0681-01,	73	405-7102-03,	78	502-1006,	61
323-1765,	92	403-3573,	70	405-7104-03,	78	502-1123,	60
327-1444-01,	87	403-3916-02,	8, 9	405-7164-02,	75	502-1244,	46
327-1444-02,	87	403-3955,	70	405-7179,	79	502-1245,	46
332-0142,	74	403-3972-03,	70	405-7208-03,	73	502-1273,	61
332-1389,	63	403-4059-03,	70	405-7210,	55, 65	502-1295-01,	55

Numerical Index

<u>Part No.</u>	<u>Page</u>	<u>Part No.</u>	<u>Page</u>	<u>Part No.</u>	<u>Page</u>	<u>Part No.</u>	<u>Page</u>
502-1295-02,	55	503-2309,	45, 46, 50, 51	517-0138-07,	75	541-0830-02,	76
502-1295-03,	55	503-2344,	65	517-0138-09,	79	541-0837-01,	72
502-1298-02,	55	503-2345,	65	518-0515,	34	541-0837-02,	72
502-1367-01,	45, 46	503-2347,	53	518-0712,	19	541-0837-03,	72
502-1367-02,	45	503-2349,	53	518-0713,	19	541-0852-01,	65
502-1368,	46	503-2350-01,	53	520-2218-01,	64	541-0852-02,	65
502-1425-02,	50, 51	503-2350-02,	53	526-0008,	83	541-0852-03,	65
502-1450,	50	503-2350-04,	53	526-0045,	41	541-0852-04,	65
502-1463,	50, 51	503-2352,	50, 51	526-0052,	74, 87	541-0853,	95
503-0003,	46	503-2394,	50	526-0054,	74	541-0863,	50
503-0501,	53	504-0011,	61	526-0145,	14	541-0876-01,	51
503-0797-01,	65	504-0223,	50, 51	526-0172,	70	541-0941-01,	95
503-0797-02,	65	505-0003,	55, 57	526-0174,	62, 83	541-0941-02,	95
503-0977,	50, 51, 53, 55	505-0041,	55, 57	526-0219,	41	541-1004,	74
503-1002,	89	505-0110,	34	526-0313,	41	541-1005,	79
503-1133,	68	505-0304,	55, 57	526-0329,	61	718-1037,	66
503-1137,	53, 55, 57	505-0339-02,	66	526-0399,	83	718-1040,	35, 36, 65, 66
503-1138,	53, 55, 57, 58, 63	505-0446-01,	55, 57	526-0399-13,	87	718-1047,	72
503-1139,	63, 68	505-0759,	55	526-0399-42,	83	725-1053,	62
503-1142,	65	505-1489,	46	526-0399-44,	83	725-1103,	62
503-1143,	53, 63	505-1490,	45, 46	526-0399-58,	69	740-1004,	65, 66
503-1144,	53	505-1509,	57	526-0399-62,	14	740-1006,	21, 30, 31, 37
503-1309,	46	506-0005,	21	526-0399-64,	46, 62	750-1006,	64
503-1692,	59	506-0006,	21	526-0399-73,	83	775-0061,	14
503-1896,	53	508-0021,	79	526-0406,	46	800-0027,	41
503-1898,	58	508-0051,	75	526-0413,	60	800-0051,	83
503-1899,	58	508-0239,	70	526-0451,	62	800-0090,	62
503-1899,	58	508-1073,	83	526-2050,	85	800-0104,	41
503-1939,	63	508-1102,	50, 51	526-2081,	60, 74	800-0309-10,	89
503-1977,	53	508-1105,	87	526-2083,	74	800-0310-01,	87
503-1998,	53	508-1105-01,	87	526-2100,	8, 9, 53, 55, 58, 64, 65, 66, 71	800-0310-27,	83
503-1999,	58	508-1152,	73	526-2120,	41, 53, 70	800-0310-36,	83
503-2009-01,	63	508-1191,	20	526-2140,	8, 14, 70, 71	800-0310-64,	83
503-2023,	55, 57	509-0094,	83	526-2146,	9	800-0317,	53
503-2025-01,	55	509-0254,	61	526-2301,	20	800-2034,	8, 9, 60
503-2025-02,	55, 57	509-0368,	75	541-0585-01,	90	800-2054,	58
503-2027,	53, 55	509-0375,	20	541-0585-02,	90	800-2056,	8, 9
503-2122,	53, 55	510-0112,	83	541-0823,	69	800-2057,	53, 71
503-2200-01,	45, 46	511-0211,	41, 95	541-0824,	69	800-2059,	55
503-2200-02,	45	517-0136,	87	541-0830-01,	76	800-2061,	45
503-2200-05,	46	517-0138-04,	79			800-2067,	65, 66

Numerical Index

<u>Part No.</u>	<u>Page</u>	<u>Part No.</u>	<u>Page</u>	<u>Part No.</u>	<u>Page</u>	<u>Part No.</u>	<u>Page</u>
800-2069,	41	821-6003-01,	70	870-2228,	87		
800-2071,	41	821-6006-01,	53, 65, 72,	871-0016,	74, 87		
800-2100,	41	73, 74, 75, 76, 78, 79, 81,		871-0025,	71, 74		
800-2113,	14	87		895-0308,	75		
800-2118,	70	823-0002-02,	75	895-0395,	77, 78		
800-3005,	14	850-0025,	65	895-0402,	73		
800-3017-18,	87	850-0045,	41	895-0411,	77		
800-3017-21,	62	850-0060,	41				
800-3017-52,	83	850-0114-06,	83				
800-3024,	85	850-0114-53,	69				
800-3029,	46	850-0165,	53				
800-3030,	53, 70	850-2006,	8, 9, 60				
800-3031,	69, 70	850-2008,	45, 66				
800-3032,	14, 62, 71	850-2009,	41				
800-3033,	8, 9, 62	850-2010,	41				
800-6002,	87, 88	850-2056,	44, 79				
800-6033,	73, 74, 79, 85	850-2058,	87				
800-6062,	87	850-2083,	20, 21				
800-6304,	19	853-0008,	83				
800-6305,	21	853-0013,	83				
800-6306,	21	853-0016,	69, 87				
800-6307,	20	853-2006,	73, 74, 79, 85				
801-1050,	62	856-0003,	45, 73, 89				
802-2068,	65, 66	856-0006,	74, 87				
810-0155,	74, 87	856-0008,	71, 87				
813-0100,	73, 83	856-0013,	71				
813-0112,	45	860-0008,	65				
815-0550-01,	87	860-2008,	71				
815-0904-03,	62	860-2010,	70				
815-0910,	90, 91	860-2021,	44, 79				
815-0916,	62	860-2032,	20				
815-0935,	83	860-2036,	74				
818-0217-03,	78	860-2057,	74, 75				
818-0231-01,	73, 79	860-2058,	87				
818-0239-03,	76	862-0016,	41				
818-1150-03,	88	862-0026-30,	69				
821-0008,	87	862-0026-54,	69				
821-0009,	87	862-0026-55,	62				
821-2035,	62	870-0131,	73, 83, 89				
821-6001-03,	88	870-0131-01,	69				
821-6002-02,	45, 60	870-2062,	87, 88				