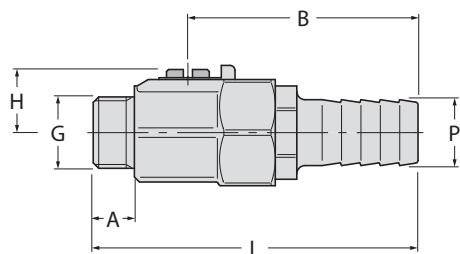


valvole a sfera ball valves

1135



Valvola a sfera M-F passaggio totale a farfalla serie "2000"

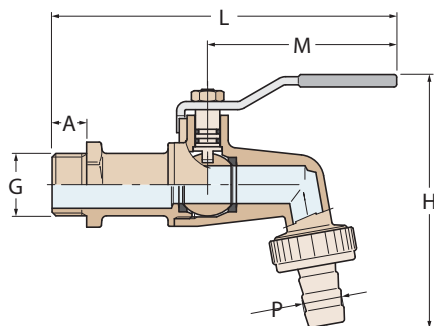
Throttle operated ball valve M-F - full flow "2000" series

FILETTATURE / THREAD :
G = ISO 228/1 (BS 2779)



Ottone nichelato
Nickel-plated brass

1555



Rubinetto a sfera con portagomma

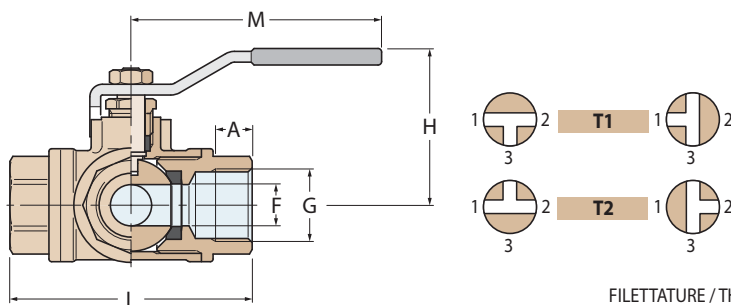
Ball bibcock with hose connection

FILETTATURE / THREAD :
G = ISO 228/1 (BS 2779)



Ottone nichelato
Nickel-plated brass

1551



Valvola a sfera a tre vie PN32 flusso a "T"

Three ways ball valve F-F-F PN32 - "T" flow

FILETTATURE / THREAD :
G = ISO 228/1 (BS 2779)



Ottone nichelato
Nickel-plated brass

1135	
PN	10
Weight (gr)	90
H	13
A	9
L	71
B	52
P	12
G	1/4"

1555				
PN	10	10	10	10
Weight (gr)	190	245	375	575
H	92	90	98	120
L	145	145	155	170
M	90	90	90	115
P	14	14	20	25
A	11	11	15	17
G	3/8"	1/2"	3/4"	1"

1551								
PN	32	32	32	32	32	25	25	25
Weight (gr)	450	420	650	860	1490	1790	3610	5200
M	90	90	125	125	140	140	220	220
H	56	56	62	66	73	76	97	104
L	74	74	80	90	105	115	138	161
F	10	10	12	15	20	25	32	40
A	12	12	14	16	19	21	23	26
G	1/4"	3/8"	1/2"	3/4"	1"	1"1/4	1"1/2	2"